

SHARP

R-1871-T
R-1872-T
R-1874-T
R-1875-T

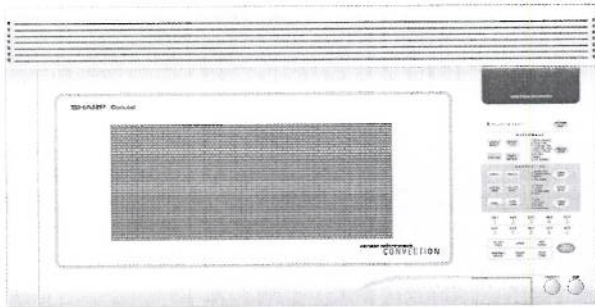
SUPPLEMENTAL SERVICE MANUAL

S40M323R18OR4

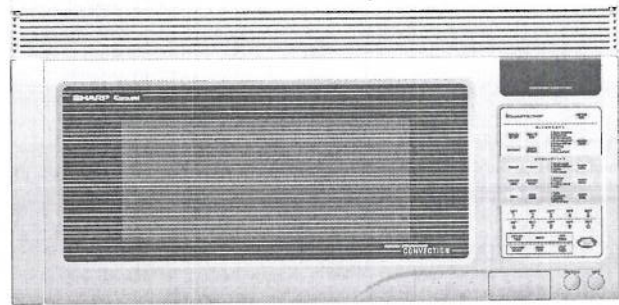
OVER THE RANGE MICROWAVE MODELS

This manual is to be used for models with the starting serial number

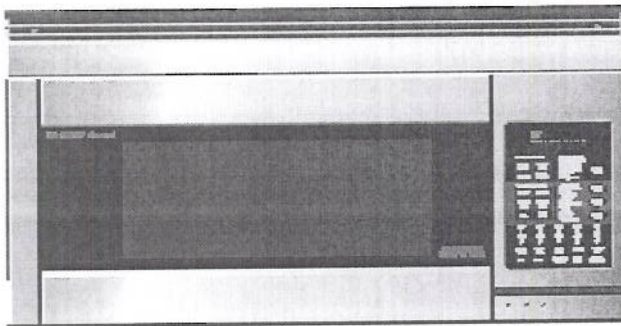
R-1871-T / R-1872-T / R-1874-T / R-1875-T



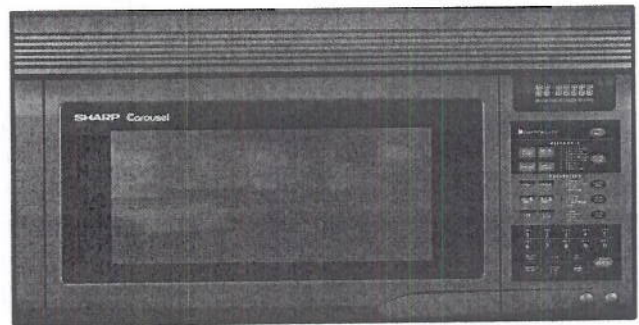
R-1871-T pictured



R1872 pictured



R-1874-T pictured



R-1875-T pictured

This is a supplemental Service Manual for Models R-1871-T, R-1872-T, R-1874-T and R-1875-T starting with Serial Number 511112. Use this supplemental manual together with these base models for complete operation, service information, etc.

In the interest of user-safety the unit should be restored to its original condition and only parts identical to those specified should be used.

WARNING TO SERVICE PERSONNEL:

This service manual is intended for use by persons having electrical and mechanical training and a level of knowledge of these subjects generally considered acceptable in the appliance repair trade. Sharp Electronics Corporation cannot be responsible, nor assume any liability, for injury or damage of any kind arising from the use of this manual.

Microwave ovens contain circuitry capable of producing very high voltage and current. Contact with the following parts may result in a severe, possibly fatal, electrical shock. (High Voltage Capacitor, High Voltage Power Transformer, High Voltage Rectifier, Heat sink, Magnatron, and High Voltage Harness etc..)

SHARP ELECTRONICS CORPORATION

This document has been published to be used for after sales service only. The contents are subject to change without notice.

SUPPLEMENTAL SERVICE MANUAL

SHARP

OVER THE COUNTER MICROWAVE OVEN

R-1871-T / R-1872-T / R-1874-T / R-1875-T

FOREWORD

This Manual has been prepared to provide Sharp Electronics Corp. Service Personnel with Operation and Service Information for the SHARP OVER THE RANGE MICROWAVE OVENS.

It is recommended that service personnel carefully study the entire text of this manual so that they will be qualified to render satisfactory customer service.

Check the interlock switches and the door seal carefully. Special attention should be given to avoid electrical shock and microwave radiation hazard.

WARNING

Never operate the oven until the following points are ensured.

- (A) The door is tightly closed.
- (B) The door brackets and hinges are not defective.
- (C) The door packing is not damaged.
- (D) The door is not deformed or warped.
- (E) There is not any other visible damage with the oven.

Servicing and repair work must be carried out only by trained service personnel.

DANGER

Certain initial parts are intentionally not grounded and present a risk of electrical shock only during servicing. Service personnel - Do not contact the following parts while the appliance is energized; High Voltage Capacitor, Power Transformer, Magnetron, High Voltage Rectifier Assembly, High Voltage Harness; If provided, Vent Hood, Fan assembly, Cooling Fan Motor.

All the parts marked "*" on parts list are used at voltages more than 250V.

Removal of the outer wrap gives access to voltage above 250V.

All the parts marked "Δ" on parts list may cause undue microwave exposure, by themselves, or when they are damaged, loosened or removed.

BEFORE SERVICING

Before servicing an operative unit, perform a microwave emission check as per the Microwave Measurement Procedure outlined in this service manual.

If microwave emissions level is in excess of the specified limit, contact SHARP ELECTRONICS CORPORATION immediately @ 1-800-237-4277.

If the unit operates with the door open, service person should 1) tell the user not to operate the oven and 2) contact SHARP ELECTRONICS CORPORATION and Food and Drug Administration's Center for Devices and Radiological Health immediately.

Service personnel should inform SHARP ELECTRONICS CORPORATION of any certified unit found with emissions in excess of $4\text{mW}/\text{cm}^2$. The owner of the unit should be instructed not to use the unit until the oven has been brought into compliance.

SHARP ELECTRONICS CORPORATION

SHARP PLAZA, MAHWAH,
NEW JERSEY 07430-2135

PARTS LIST

R-1871-T
R-1872-T
R-1874-T
R-1875-T

Note: The parts marked "Δ" may cause undue microwave exposure.
The parts marked "*" are used in voltage more than 250V.

REF. NO.	PART NO.	DESCRIPTION	Q'TY	CODE
ELECTRIC PARTS				
* 1- 1	FC-QZA622WRKZ	High voltage capacitor assembly	1	AX
1- 2	FPWBFB014MRK0	Noise filter	1	AV
1- 3	QFS-TA013WRE0	Temperature fuse 150°C	1	AG
1- 4	RMOTDA256WRZZ	Damper motor	1	AP
1- 5	RMOTDA252WRZZ	Turntable motor	1	AN
1- 6	RMOTDA258WRZZ	Stirrer motor	1	AQ
1- 7	RTHM-A136WRZZ	Thermal cut-out N.O. 60°C	1	AK
* 1- 8	RTRN-B092MRE0	Power transformer	1	BK
Δ* 1- 9	RV-MZA363WRZZ	Magnetron	1	BF
1-10	QFSHDA009WRE0	Fuse holder	1	AG
1-11	QSW-MA085WRE0	Secondary interlock, third door sensing and damper switches	3	AF
1-12	FFS-BA033WRKZ	Monitor and sec. interlock switch with fuse assembly	1	AN
1-13	FACCD011MRE0	Power supply cord	1	AV
1-14	QSOCLB010MRE0	Hood lamp socket	2	AH
1-15	FDTCTA217WRKZ	AH sensor	1	AV
1-16	QSOCLA021WRE0	Oven lamp socket	1	AG
1-17	FMOTEA362WRK0	Hood fan motor	1	BL
1-18	RR-WZA031WRE0	Noise resistor	1	AP
1-19	RMOTEB032MRE0	Fan motor	1	AZ
1-20	RLMPTA086WRZZ	Hood lamp and oven lamp	3	AL

CABINET PARTS

2- 1	PFIL-B002MRE0	Grease filter	2	AM
2- 2	PDIF-A043WRFZ	Hood exhaust louver (R-1871-T)	1	AX
2- 2	PDIF-A046WRFZ	Hood exhaust louver (R-1872-T)	1	AZ
2- 2	PDIF-B035MRF0	Hood exhaust louver (R-1874-T)	1	AY
2- 2	PDIF-A047WRFZ	Hood exhaust louver (R-1875-T)	1	AV
2- 3	GDAI-A463WRWZ	Base plate right	1	AQ
2- 4	GDAI-A462WRWZ	Base plate left	1	AM
2- 5	FCABUA987WRKZ	Outer case cabinet (R-1871-T)	1	BM
2- 5	FCABUA988WRKZ	Outer case cabinet (R-1872-T)	1	BL
2- 5	FCABUA989WRKZ	Outer case cabinet (R-1874-T/R-1875-T)	1	BG
2- 6	TMAPCA798WRRZ	Schematic diagram (R-1871-T/R-1872-T)	1	AE
2- 6	TMAPCA802WRRZ	Schematic diagram (R-1874-T)	1	AE
2- 6	TMAPCA802WRRZ	Schematic diagram (R-1875-T)	1	AE
2- 7	FANGKB029MRY0	Hood lamp glass assembly (R-1871-T)	1	AQ
2- 7	FANGKB013MRY0	Hood lamp glass assembly (R-1872-T)	1	AS
2- 7	FANGKB009MRY0	Hood lamp glass assembly (R-1874-T/R-1875-T)	1	AP
2-7-1	LANGQB082MRP0	Hood lamp glass angle (R-1871-T)	1	AN
2-7-1	LANGQB049MRP0	Hood lamp glass angle (R-1872-T)	1	AN
2-7-1	LANGQB016MRP0	Hood lamp glass angle (R-1874-T/R-1875-T)	1	AM
2-7-2	PGLSPB004MRE0	Hood lamp glass	1	AQ
2- 8	PCOVPA555WRTZ	Base cover (R-1871-T)	1	AZ
2- 8	PCOVPA564WRTZ	Base cover (R-1872-T)	1	AZ
2- 8	PCOVPA565WRTZ	Base cover (R-1874-T/R-1875-T)	1	BA
2- 9	HDECQA468WRFZ	Sash left (R-1871-T)	1	AL
2- 9	HDECQA471WRFZ	Sash left (R-1872-T)	1	AL
2- 9	HDECAB028MRK0	Sash left (R-1874-T)	1	AR
2- 9	HDECQA472WRFZ	Sash left (R-1875-T)	1	AL
2-10	LSTY-A122WRWZ	Rear stay	1	AK

CONTROL PANEL PARTS

3- 1	DPWBFB061MRU0	Control unit	1	BU
3- 2	FPNLCC062WRKZ	Control panel sub. assembly (R-1871-T)	1	BC
3- 2	FPNLCC063WRKZ	Control panel sub. assembly (R-1872-T)	1	BD
3- 2	FPNLCC407MRK0	Control panel sub. assembly (R-1874-T)	1	BF
3- 2	FPNLCC064WRKZ	Control panel sub. assembly (R-1875-T)	1	BE
3- 2-1	MSPRTA050WRE0	Open button spring	1	AA
3- 2-2	JBTN-B632WRFZ	Open button (R-1871-T)	1	AE
3- 2-2	JBTN-B634WRFZ	Open button (R-1872-T)	1	AE
3- 2-2	FDECAB029MRK0	Open button (R-1874-T)	1	AT
3- 2-2	JBTN-B636WRFZ	Open button (R-1875-T)	1	AG
3- 3	XEPS730P08XS0	Screw	5	AB

REF. NO.	PART NO.	DESCRIPTION	QTY	CODE
----------	----------	-------------	-----	------

OVEN PARTS

4- 1	FFTA-B004MRKO	Exhaust damper assembly	1	AM
4- 2	FROLPB027MRKO	Turntable support assembly	1	AX
4- 3	NTNT-A114WREZ	Turntable tray	1	BB
4- 4	LANGKB463WRPZ	Capacitor holder	1	AF
4- 5	FCOVPA068WRYZ	Stirrer cover assembly	1	AQ
4- 6	FFAN-A002WRKZ	Stirrer fan assembly	1	AR
4- 7	-----	Oven cavity (not replaceable)	1	-
4- 8	DHET-B002MRKO	Convection heater unit	1	BS
4- 9	NCPL-B007MRFO	Coupling	1	AN
4-10	PCUSGA786WRPZ	Cushion	1	AH
4-11	PCUSUA663WRPZ	Cushion	1	AH
4-12	PPACGA189WREZ	Turntable motor packing	1	AG
4-13	PCUSUA662WRPZ	Cushion	2	AH
4-14	PPFF-A313WREZ	Heat protect	1	AQ
4-15	PHOK-A166WRFZ	Latch hook	1	AK
4-16	FANGTA175WRYZ	Unit mounting plate	1	AY
4-17	PPFF-A310WREZ	Heat protect	1	AH
4-18	LANGQA811WRPZ	Noise filter angle	1	AF
4-19	PDUC-B171WRPZ	Exhaust duct B	1	AF
4-20	PDUC-B167WRPZ	Hood intake duct L	1	AK
4-21	NFANPB005MRE0	Fan blade	1	AQ
4-22	GBDYRA014WRWZ	Back plate	1	AX
4-23	FDUC-A506WRKZ	Fan duct	1	AP
4-24	LBSHCA014WRE0	Cord bushing	1	AG
4-25	FDUC-A503WRKZ	Exhaust duct (R-1871-T/R-1872-T/R-1875-T)	1	AZ
4-25	FDUC-A509WRKZ	Exhaust duct (R-1874-T)	1	AZ
4-26	MLEVPA297WRFZ	Open lever	1	AH
4-27	PCUSGA788WRPZ	Cushion	1	AF
4-28	MCAMPA187WRFZ	Damper cam	1	AF
4-29	PCUSUA666WRPZ	Damper cushion	1	AF
4-30	PPFF-A310WREZ	Heat protect R	1	AH
4-31	FFTA-A041WRPZ	Damper plate	1	AF
4-32	PREFHA091WRWZ	Thermal cover R	1	AQ
4-33	LANGQA812WRPZ	Hood lamp angle	1	AK
4-34	PREFHA092WRPZ	Thermal cover bottom	1	AP
4-35	LSTPPB024MRFO	Door stopper	1	AF
4-36	PCOVPA558WRWZ	Oven lamp cover	1	AG
4-37	PCOVPA559WRPZ	Heat protect top sheet	1	AK
4-38	PCUSGA789WRPZ	Cushion	1	AF
4-39	PDUC-B162WRFZ	Hood exhaust duct	1	AZ
4-40	PDUC-B165WRPZ	Top duct	1	AR
4-41	PDUC-B164WRFZ	Magnetron duct	1	AH
4-42	PDUC-B166WRPZ	Hood intake duct R	1	AM
4-43	PFILWA035WRE0	Oven light screen	1	AK
4-44	PPFF-A312WREZ	Heat protect top	1	AR
4-45	PCUSUA673WRPZ	Exhaust cushion A	1	AE
4-46	PCUSGA792WRPZ	Exhaust cushion B	1	AF
4-47	PCUSUA668WRPZ	Cushion	1	AF
4-48	PCUSUA669WRPZ	Cushion	1	AF
4-49	PCUSUA670WRPZ	Cushion	1	AF

DOOR PARTS

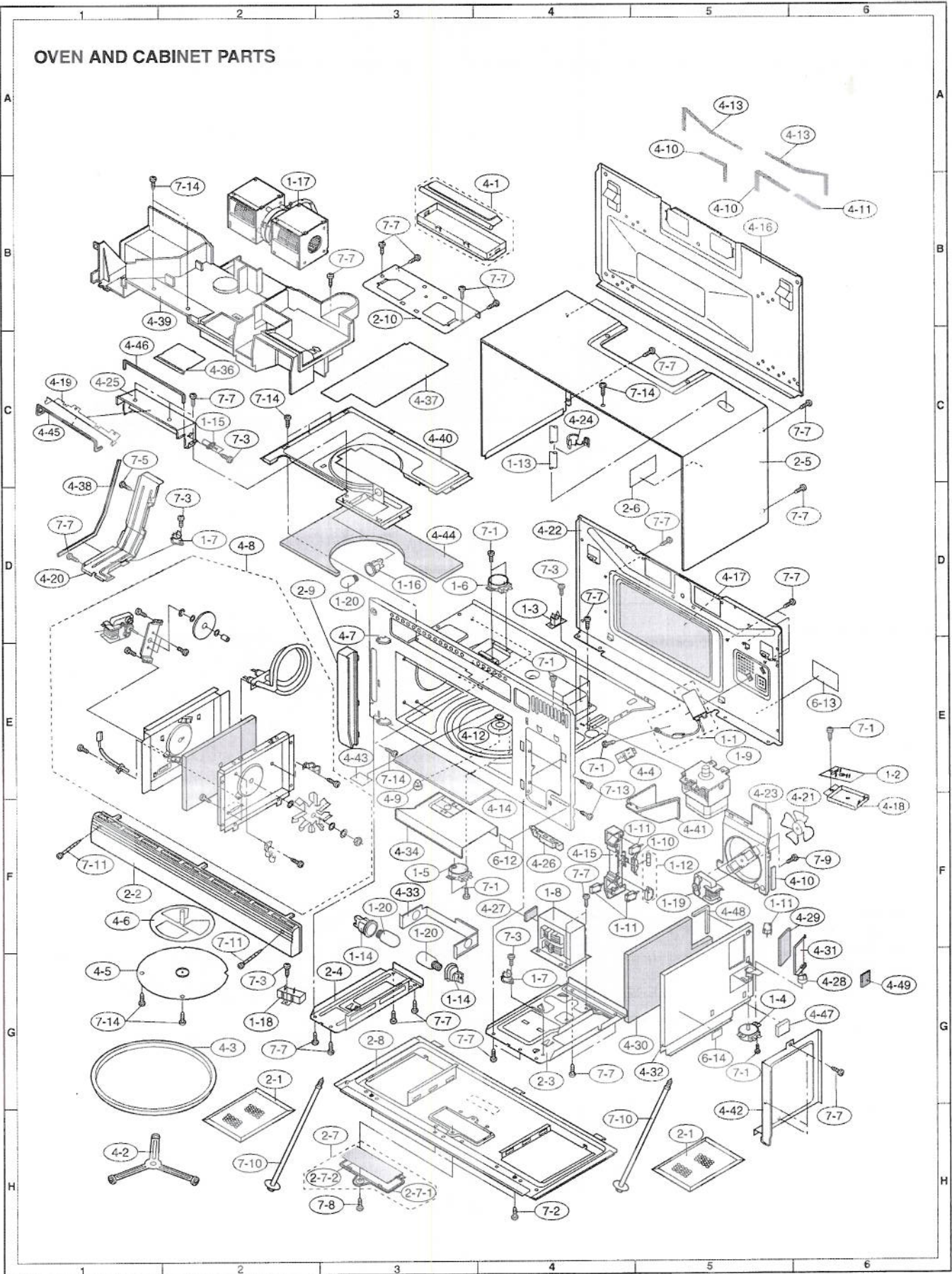
5- 1	CDORFB286MRKO	Door assembly (R-1871-T)	1	BQ
5- 1	CDORFB314MRKO	Door assembly (R-1872-T)	1	BR
5- 1	CDORFB312MRKO	Door assembly (R-1874-T)	1	BR
5- 1	CDORFB285MRKO	Door assembly (R-1875-T)	1	BQ
5- 2	GCOVHB031MRFO	Choke cover	1	AY
5- 3	LSTPPB025MRFO	Latch head	1	AH
5- 4	MSPRTA046WRE0	Latch spring	1	AD
5- 5	XEPS740P08000	Screw	6	AC

REF. NO.	PART NO.	DESCRIPTION	Q'TY	CODE
MISCELLANEOUS				
6- 1	CFZK-B659WRKZ	Installation material assembly	1	AW
6-1-1	LBSHC0040MRE0	Grommet	1	AF
6-1-2	LX-BZ0195WRE0	Toggle screw	4	AH
6-1-3	XBRS750P60000	Screw : 5mm x 60mm	2	AK
6-1-4	XOTS740P12000	Screw : 4mm x 12mm	1	AB
6-1-5	XTSS750P35000	Screw : 5mm x 35mm	6	AD
6-1-6	XWHS750-16300	Washer	2	AG
6- 2	TINSEB235WRRZ	Installation instruction	1	AR
6- 3	TINSEB236WRRZ	Operation manual (R-1871-T/R-1872-T)	1	AR
6- 3	TINSEB240WRRZ	Operation manual (R-1874-T/R-1875-T)	1	AR
6- 4	TINSKA031WRRZ	Top template	1	AK
6- 5	TINSKA032WRRZ	Wall template	1	AK
6- 6	QW-QZB011MRE0	High voltage wire A	1	AF
6- 7	TCADCB020WRRZ	Cook book	1	AR
6- 8	FW-VZC282WREZ	Main harness (R-1871-T/R-1872-T)	1	BG
6- 8	FW-VZC284WREZ	Main harness (R-1874-T/R-1875-T)	1	BH
6- 9	FAMI-B006MRMO	High rack	1	AU
6-10	FAMI-B005MRMO	Low rack	1	AU
6-11	TCAUAA304WRRZ	User caution label (R-1874-T/R-1875-T)	1	AC
6-12	TCAUAA382WRRZ	Caution label	1	AF
6-13	TCAUAA302WRRZ	DHHS caution label (R-1871-T/R-1872-T)	1	AF
6-13	TCAUAA307WRRZ	DHHS caution label (R-1874-T/R-1875-T)	1	AD
6-14	TCAUAA300WRRZ	NHW caution label (R-1871-T/R-1872-T)	1	AF
6-14	TCAUAA305WRRZ	NHW caution label (R-1874-T/R-1875-T)	1	AD
6-15	TCAUAA301WRRZ	Monitor caution label (R-1871-T/R-1872-T)	1	AF
6-15	TCAUAA366WRRZ	Monitor caution label (R-1874-T/R-1875-T)	1	AF

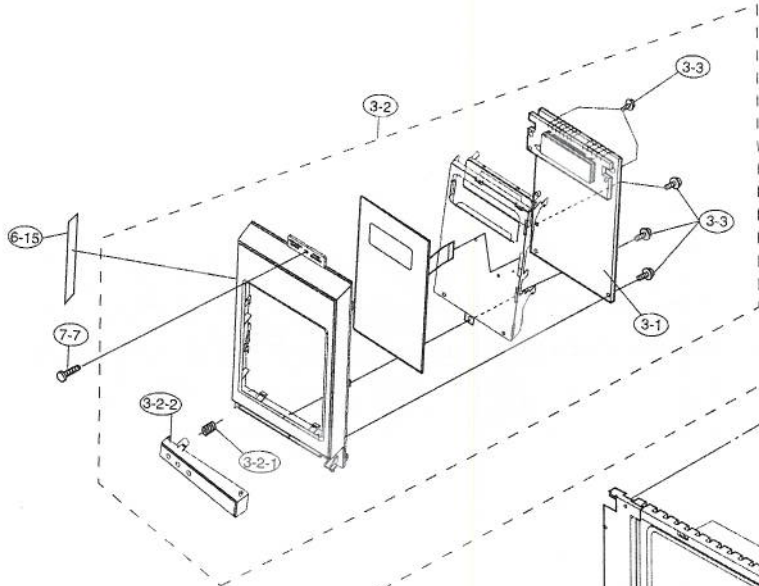
SCREWS,NUTS AND WASHERS

7- 1	XHPS740P08K00	Screw	5	AC
7- 2	XOTS740P08000	Screw (R-1871-T/R-1872-T)	4	AB
7- 2	XOTS840P08000	Screw (R-1874-T/R-1875-T)	4	AB
7- 3	XHPS730P08000	Screw	6	AC
7- 4	XBTS740P08RVO	Screw	2	AD
7- 5	XCTWW40P08000	Screw	1	AB
7- 6	XBTTWW40P06000	Screw	2	AA
7- 7	XOTS740P08000	Screw	24	AB
7- 8	XHTS740P08000	Screw	1	AC
7- 9	XHTS740P08RVO	Screw	2	AG
7-10	LX-BZB011MRE0	Unit mounting screw	2	AT
7-11	LX-CZB024MRE0	Hood louver Screws (R-1871-T/R-1872-T)	2	AE
7-11	LX-CZB025MRE0	Hood louver Screws (R-1874-T/R-1875-T)	2	AE
7-12	XCBWW30P06000	Screw	5	AB
7-13	LX-CZ0052WRE0	Special screw	2	AA
7-14	XOTWW40P08000	Screw	19	AB

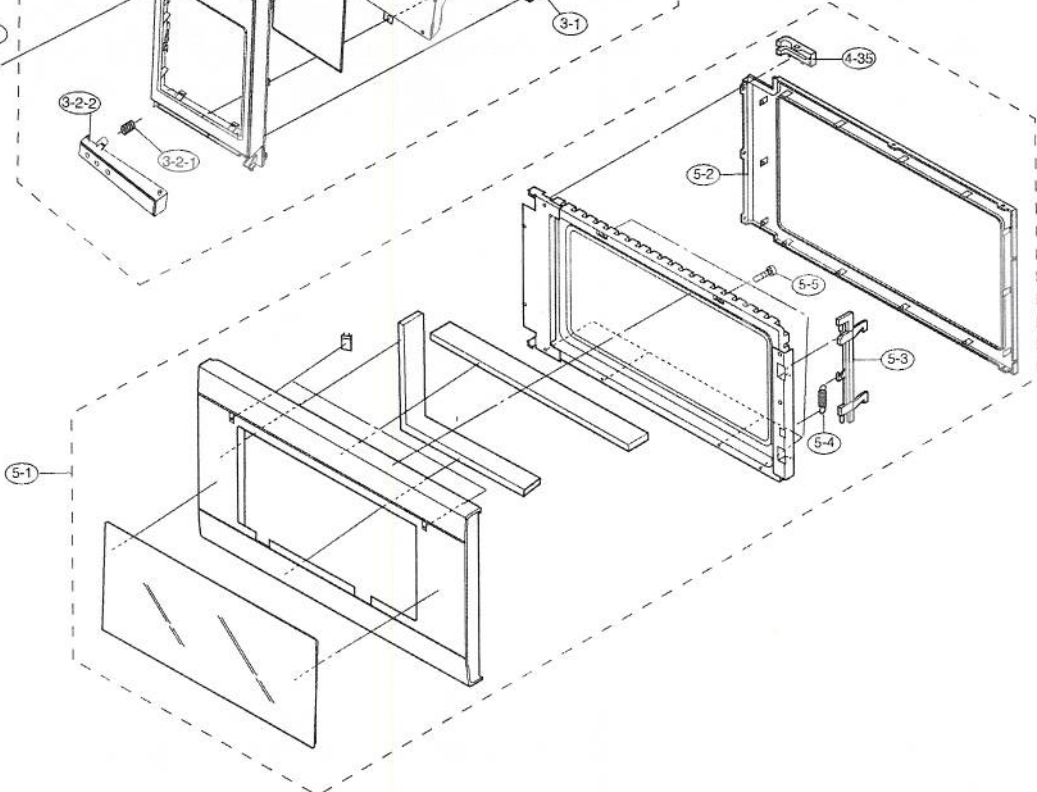
OVEN AND CABINET PARTS



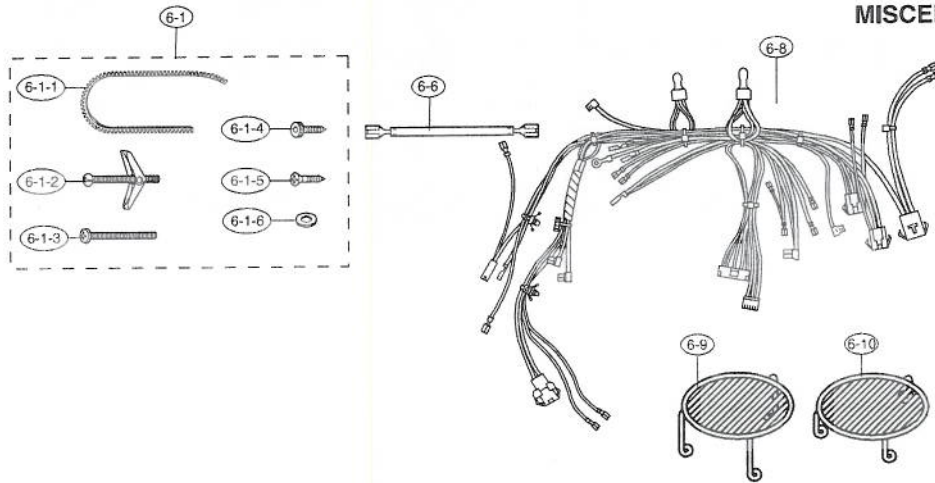
RIGHT PANEL PARTS



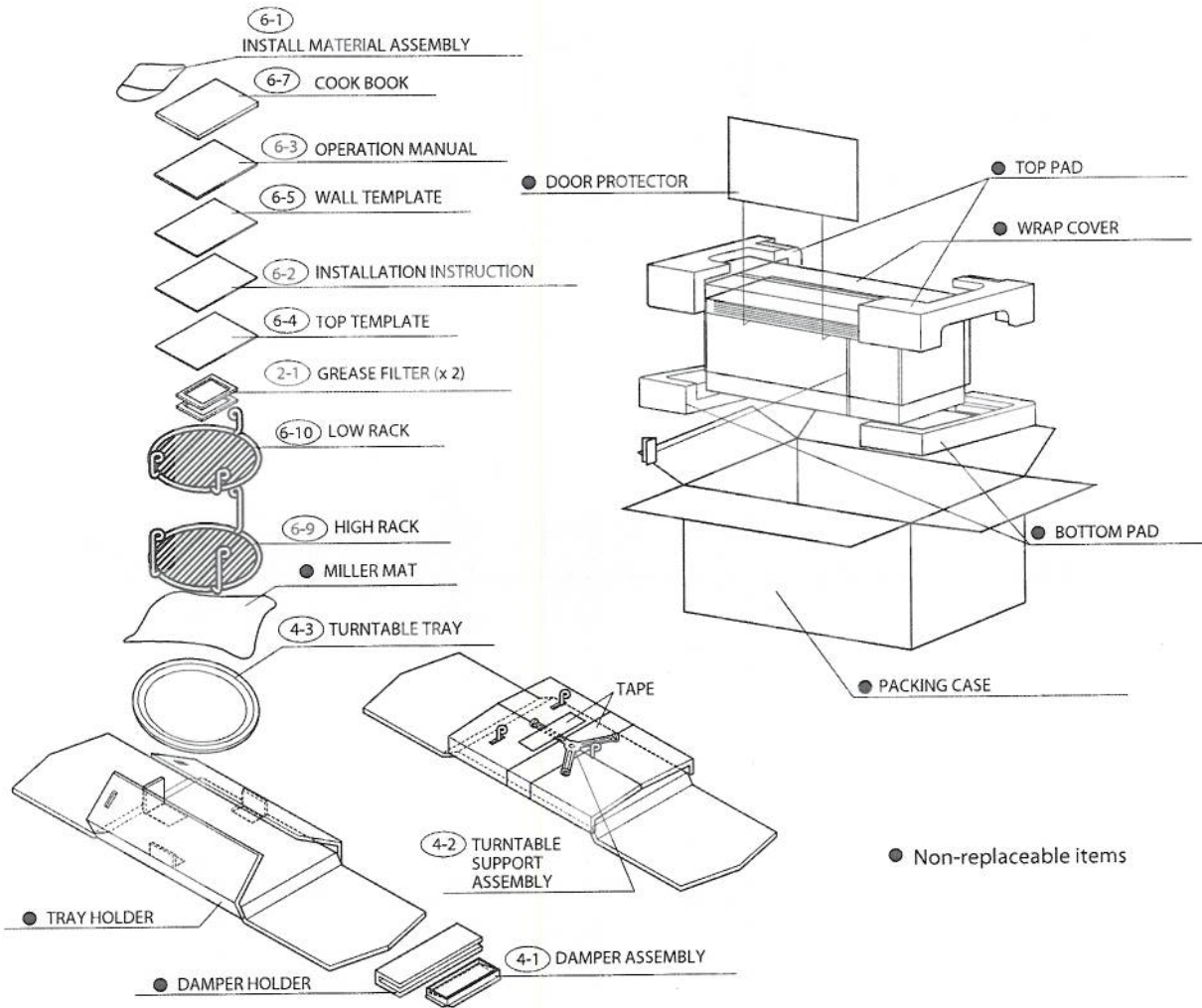
DOOR PARTS



MISCELLANEOUS



PACKING AND ACCESSORIES



SHARP

COPYRIGHT © 2010 BY SHARP CORPORATION

ALL RIGHTS RESERVED.

No part of this publication may be reproduced, stored in retrieval systems, or transmitted in any form or by any means, electronic, mechanical, photocopying, recording, or otherwise, without prior written permission of the publisher.