

INSTALLATION & OPERATION MANUAL

HoseMaster™

Hose Retrieval & Storage System

The HoseMaster (HM) has been designed for manual pay out and motorized retraction of your hose. Applications are primarily for the marine and RV markets, but works for any application where motorized retract of hose is required.

The HM can handle 1/4" to 3/4" dia. hose. Length is determined by the spool size (see dimensions page 2). The HM-LW will accurately layer your hose so that more hose can be stored in a compact area.

TABLE OF CONTENTS

- 1) Product Description
- 2) Product Dimensions
- 3) Before Installation
- 4) Installation of the HoseMaster
- 5) Operating Instructions
- 6) Maintenance
- 7) Trouble Shooting Guide
- 8) HoseMaster Accessories

1.0 PRODUCT DESCRIPTION

HoseMaster Model M

05505-XX-YY (RV)

05506-XX-YY (RV)

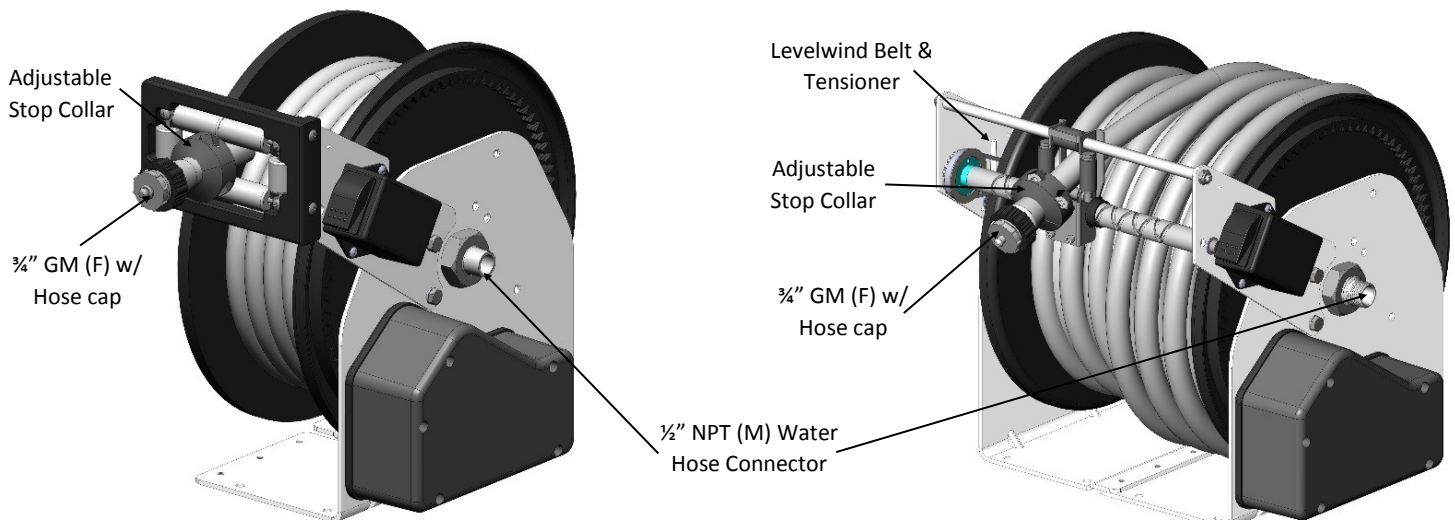
05510-XX-YY (Marine)

05511-XX-YY (Marine)

XX – DC voltage
YY – length of hose

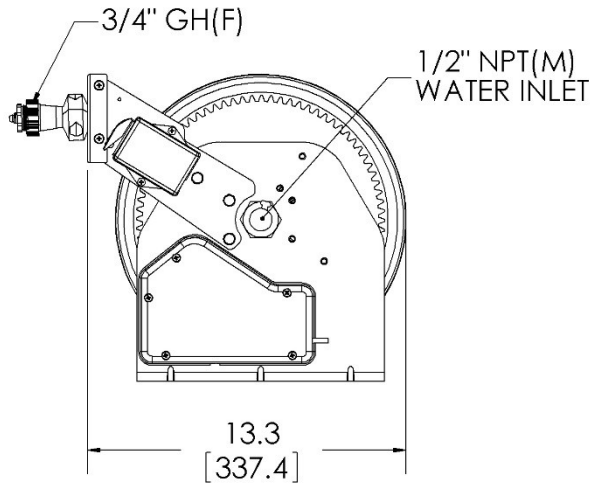
HoseMaster Model LW

05520-XX-YY

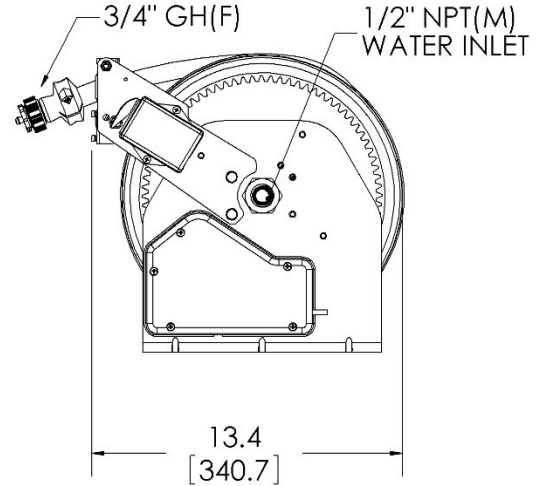


2.0 PRODUCT DIMENSIONS

HoseMaster™ Model M

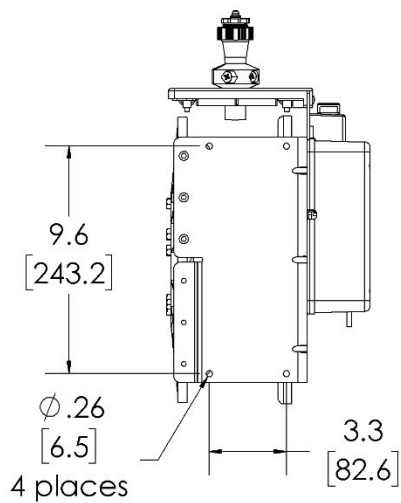


HoseMaster™ Model LW

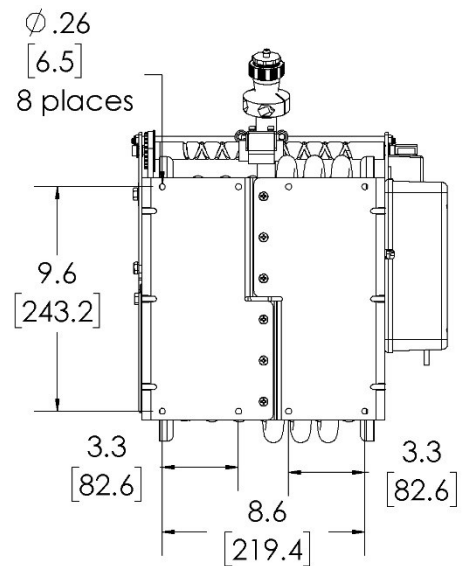


width 8.6" w/ 35' hose
width 9.6" w/ 50' hose

Mounting Dimensions



Mounting Dimensions

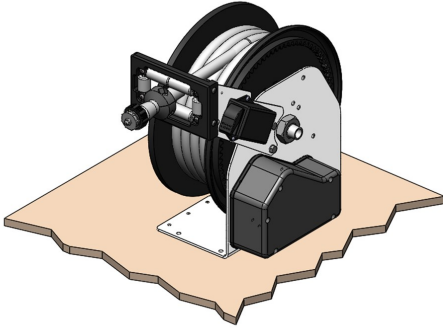


3.0 BEFORE INSTALLATION OF HOSEMASTER™ (HM) UNIT

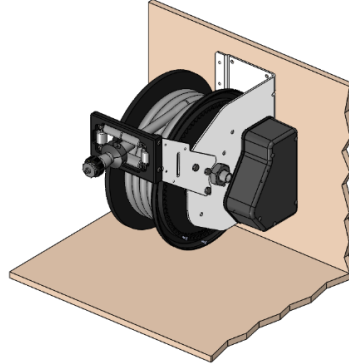
3.1 Location of your HoseMaster

The first step in determining where to install your HM should be finding a suitable place where your HM will fit. The easiest location would be in a storage bay near your water supply, but you can also place it away from the water supply area by using a length of water hose routed from the water supply to the HM. Your HM must be mounted in a place which is protected from the environment. (combustible fuel sentence??)

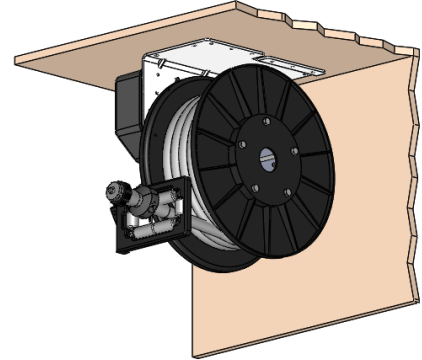
The HM is capable of being mounted in 3 configurations:



Bottom Mount Configuration

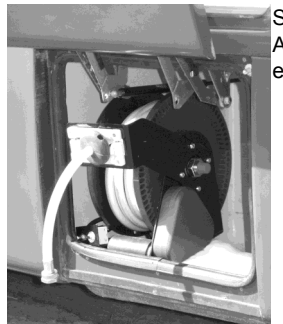


Wall Mount Configuration



Top Mount Configuration

3.2 Water Hose Exit



Storage Bay Access Door exit

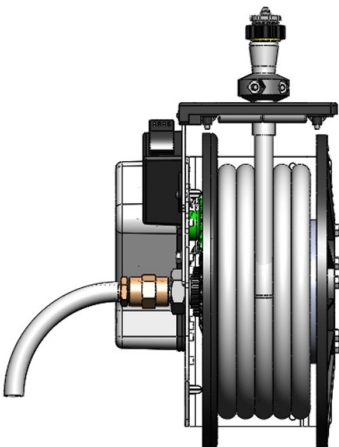
RV: In many coaches the hose will exit through the opened storage area or bay. Another option would be to have the water hose exit an access hole on the bottom of the storage area or bay. In other cases, the water hose may exit the side of the coach through a new or existing access door (similar to a fuel door).

Boat: it may be preferable for the water hose to exit the aft through a hawse pipe, while in other applications it may be necessary to exit the side. One option also available would be to have the water hose installed in a storage compartment on the aft deck.

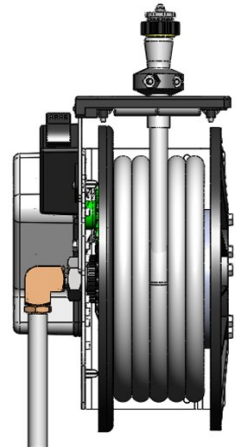


See section 4.3 for Adjustment of the Guide Roller Assembly

3.3 Connection to the Water System



- The water input connector ($\frac{1}{2}$ " NPT (M)) is on the gear motor side of the unit.
- Make sure you have room to access this side for installation as well as maintenance.
- If you are required to mount the unit close to a wall or another piece of equipment, install a 90 degree elbow on this fitting. Be sure to use pipe tape when attaching fitting.
- Be sure to use a good reinforced hose from the HM water inlet to the vessel or coach's water connection. Make sure the hose is at least the same size as the HM hose.

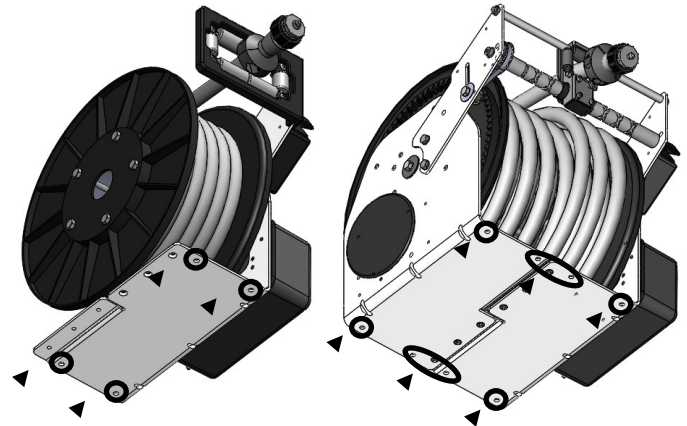


4.0 INSTALLATION OF THE HOSEMASTER

4.1 Mounting the HoseMaster

In general, the HM will be mounted to either the floor or the roof of the compartment where it will be located.

- Determine where the HM will be mounted
- Allow clearance for the HM storage spool to operate freely without obstruction or interference, and for the connection of the water hose from your water supply.
- Install the HM by using #10 or ¼" fasteners, ¾" long minimum. (Unspooling the water hose before mounting the HM can aid installation in tight spaces).
- HM-M — Mount using 4 fasteners.
- HM-LW — Mount using 6 fasteners.



HM – M 4 places

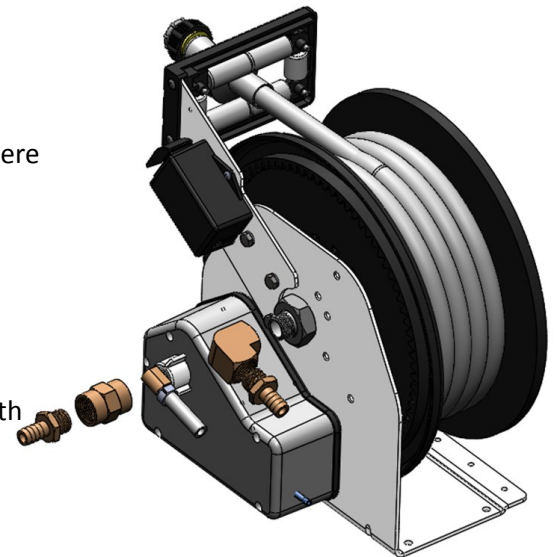
HM – LW 6 places
(Middle, either hole)

4.2 Connecting the HoseMaster to Your Water System

To retrofit the HM to your boat/RV:

- Route the existing hose line from the boat water system inlet port to where you have installed the HM.
- Attach the female connector to the ½" NPT female connector, located in the center of the main pulley wheel of the HM. Use pipe tape.
- Cut the hose at a suitable length and attach a ½" NPT female connector.

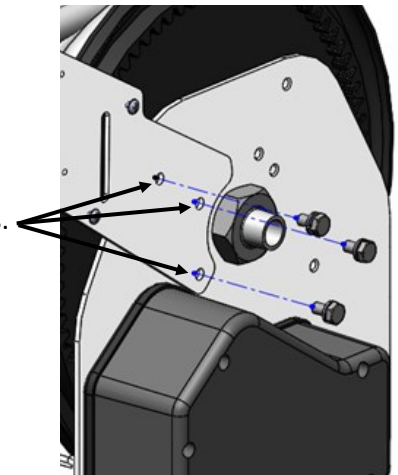
If you prefer to replace your existing hose with a new one, then route a length of drinking safe water hose from the boat/RV water system inlet port to the HM water connector as described above.

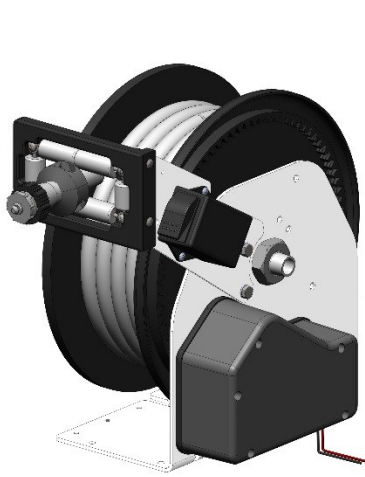


4.3 Guide Roller Assembly Adjustment

The HM Guide Roller Assembly can be rotated to 3 positions to help with the routing of the hose.

There are (3) ¼-20 bolts and lock washers attaching the Guide Roller assembly plate to the unit. Remove these (3) bolts, rotate the Guide Roller Plate, and re-install all (3) bolts.

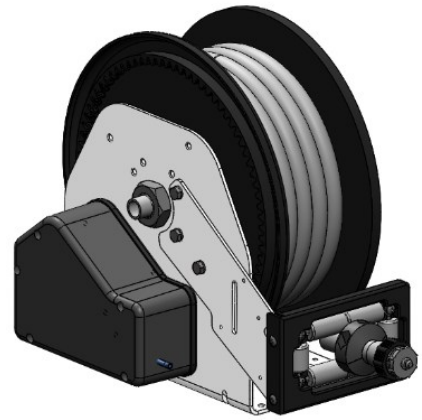




Standard Position
(as shipped)



Middle Position



Reverse Position

4.4 Wiring Instructions

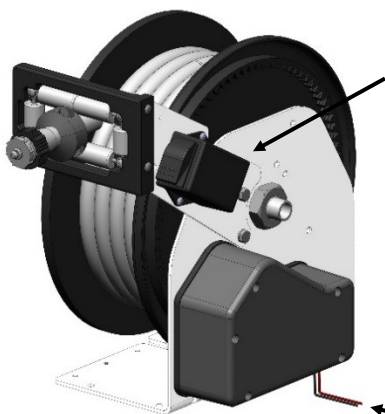
The HM comes with (2) 14 gauge wires exiting from the gear motor cover.

- These wires should be connected to the 12 or 24 VDC power source, depending on unit purchased (see label on unit for correct voltage).
- Connect wire to DC battery as shown below.
- IMPORTANT: install a 15amp fuse between the power source and the units RED power wire. This will prevent damage to your boat/RV.
- Make sure all connections are secure and protected from the environment.

⚠
WARNING:
⚠

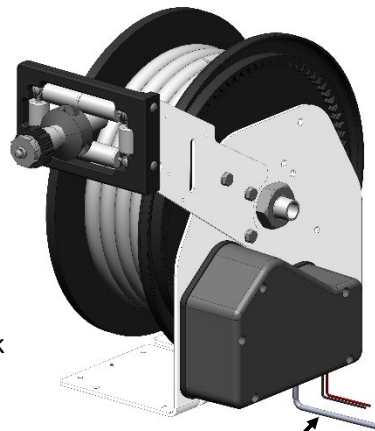
- If you are NOT familiar with the standards and practices for DC electrical systems, it is **STRONGLY RECOMMENDED** that you contact a qualified electrician.
- 15 amp fuse circuit protects your boat/RV in the event that the wire which supplies power to the HM is chaffed or cut.

Standard Wiring



- Control Switch**
- Mounted on unit
 - Includes flush mount box
 - Includes 3' of wire for remote mounting
- DC Power Input**
- 12 or 24v DC Input (check label on unit)
 - RED - DC Positive +
 - BLACK - DC Negative
 - use 15amp breaker or fuse

Relay Option Wiring



- Control Switch w/ Nameplate**
(RON option)
- Control Switch w/ Flush Mount Box**
(ROB option)

10' long Control Switch Wires

5.0 OPERATING INSTRUCTIONS

To operate the HM:

- **PULL OUT** the amount of hose required to reach the dockside/campground water supply bib.
- **TURN ON** the outside water supply to remove any standing water, then turn OFF.
- **REMOVE** the HM's hose cap and inspect gasket.
- **SCREW THE FEMALE HOSE FITTING** into the water supply bib until leak tight.
 - To protect your system use a water pressure regulator (part# 51564) at docks/campgrounds with high pressures
- **TURN ON** the outside water supply.

When ready to get under way:

- **TURN OFF** outside water supply and release hose pressure by disconnecting hose from supply.
- **INSPECT HOSE CAP** for contamination; clean if necessary and screw hose cap onto water hose.
- **PUSH AND HOLD** the HM power switch (black rocker switch). HM will electrically retrieve the water hose and store it.
- When hose has been retracted, **RELEASE** the push-button power switch to stop the unit.



CAUTION:

- Keep the female hose hookup clean at all times to avoid contamination. Keep the hose cap installed whenever the hose is disconnected from a water supply bib.
- Always disconnect AND fully retract your water hose BEFORE getting underway!
- Continuing to push power button after hose is retracted may cause damage to the motor and will cause breaker switch to trip - reset before next use.

6.0 MAINTENANCE


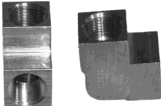
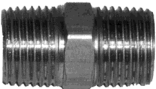





The HM was designed for longevity of operation with very little maintenance required.

- **KEEP EXPOSED PARTS** that come into contact with your potable water **FREE OF DEBRIS** or contaminants.
- **REPLACE THE HOSE CAP** when the water hose is disconnected from a supply source.
- **CHECK FOR LEAKS** in hose and at all fittings/connections.
- **CHECK TO MAKE SURE NOTHING IS RUBBING** or binding in the storage spool.
- **CHECK ALL WIRING CONNECTIONS**, at least once a year, to be sure they are secure and free of corrosion.
- **APPLY MULTIPURPOSE GREASE TO LEVELWIND** screw and nut once a year (only LW units).




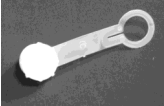
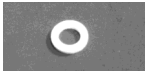

7.0 TROUBLE SHOOTING GUIDE

ISSUE	PROBABLE CAUSE	RECOMMENDED ACTION
Non-functional (either no power or unit has power and does not respond)	<p>Tripped breaker</p> <p>Blown fuse at power source</p> <p>Power wire incorrectly connected to power source</p> <p>Defective motor</p>	<p>Reset breaker</p> <p>Replace fuse</p> <p>Check power source fuse and connections, reconnect or replace if necessary</p> <p>With power switch on and voltage across motor wires</p> <p>— if no response, replace motor</p>
HoseMaster stops retracting while button is being pushed	Hose jammed during retraction causing breaker to trip	<p>Reset breaker</p> <p>Pay out hose and rewind</p>

8.0 HOSEMASTER ACCESSORIES

PART NUMBER	DESCRIPTION	
51564	Water Pressure Regulator (45 psi output) — some docks have extremely high pressure at the water source. Protect both your water supply host and plumbing system by installing this regulator between the HoseMaster and the water source.	
51563	1/2" NPT Elbow — this accessory is used when space constraints dictate a bend a the hose reel hookup (when mounting adjacent to the storage bay wall.)	 <p>FRONT VIEW</p> <p>SIDE VIEW</p>
51565	1/2" MPT X 1/2" MPT Union — this accessory is used to attach two female connectors in the plumbing system.	
51574	1/2" MPT X 5/8" Barbed Adaptor — this accessory is used to attach 5/8" hose to a 1/2" nptf in the plumbing system.	
51573	GHTM - 1/2" Barbed Adaptor — this accessory is used to attach 5/8" hose to a 1/2" nptf in the plumbing system.	
51566	1/2" MPT Check Valve — this accessory is used in the water supply system to prevent backflow.	
51567	GHTF x 1/2" FPT Check Valve w/Cap & Lanyard — same a above	
51568	1/2" FPT X 1/2" FPT Coupler — this accessory is used to attach two male connectors.	

8.0 HOSEMASTER ACCESSORIES (cont.)

51569	1/2" FPT X GHTM Adapter — this fitting is used to adapt male pipe thread to garden hose female thread.	
05516	Mounting Hardware — this package contains a variety of screws and washers used to mount the hose reel to your coach.	
75551	Hose Clamp — this accessory is used to adapt flexible hose to a barbed fitting.	
85558	Hose Cap with Lanyard — this accessory is used to keep contaminants out of the drinking water safe 1/2" IAMPO water hose.	
87550	Washers — 6 pack of drinking water safe, garden hose washers.	
0551x	Installation Kit — this kit contains: <ul style="list-style-type: none"> — mounting hardware — 5' hose (1/2" NPT to GHTM) — 5' 14-gage wire with butt connectors — 90 degree elbow 	

WARRANTY

PRODUCT COVERED BY THIS LIMITED WARRANTY: HoseMaster

1. GLENDINNING PRODUCTS, LLC. warrants to the original consumer purchaser that the HoseMaster will be free from defects in material and workmanship under normal use and service for a period of one (1) year from the date of purchase.
2. This LIMITED WARRANTY applies to defects in material and workmanship. It does not apply to plated or painted finishes or to hose damage caused by inadequate hose storage area or installation not in accordance with GLENDINNING PRODUCTS, LLC. specifications.
3. This LIMITED WARRANTY is void if the product has been damaged by accident or unreasonable use, neglect, improper installation, or other causes not arising out of defects in material or workmanship.
4. To obtain performance of this LIMITED WARRANTY obligation the original purchaser should contact GLENDINNING PRODUCTS, LLC. for instructions concerning removal and shipping of the defective component. Upon compliance of the foregoing procedure all warranted defects will be repaired, or at GLENDINNING PRODUCTS, LLC. option, the complete unit replaced and returned to the consumer, shipping charges prepaid.
5. GLENDINNING PRODUCTS, LLC. does not assume the costs of removal and/or installation of the product or any other incidental costs which may arise as a result of any defect in materials or workmanship.

THIS WARRANTY IS IN LIEU OF ALL OTHER EXPRESS WARRANTIES. ANY WARRANTY IMPLIED BY LAW INCLUDING WARRANTIES OF MERCHANTABILITY OR FITNESS, IS IN EFFECT ONLY FOR THE DURATION OF THE EXPRESS WARRANTIES SET FORTH IN THE FIRST PARAGRAPH ABOVE. NO REPRESENTATIVE OR PERSON IS AUTHORIZED TO GIVE ANY OTHER WARRANTY OR TO ASSUME FOR GLENDINNING PRODUCTS, LLC. ANY OTHER LIABILITY IN CONNECTION WITH THE SALE OF IT'S PRODUCTS. GLENDINNING PRODUCTS, LLC. WILL NOT BE LIABLE FOR ANY CONSEQUENTIAL DAMAGES RESULTING FROM THE USE OR INSTALLATION OF IT'S PRODUCTS.