



Jeep Cherokee  
 Jeep Wagoneer  
 Jeep Wagoneer LTD  
 Jeep Comanche Pick-up

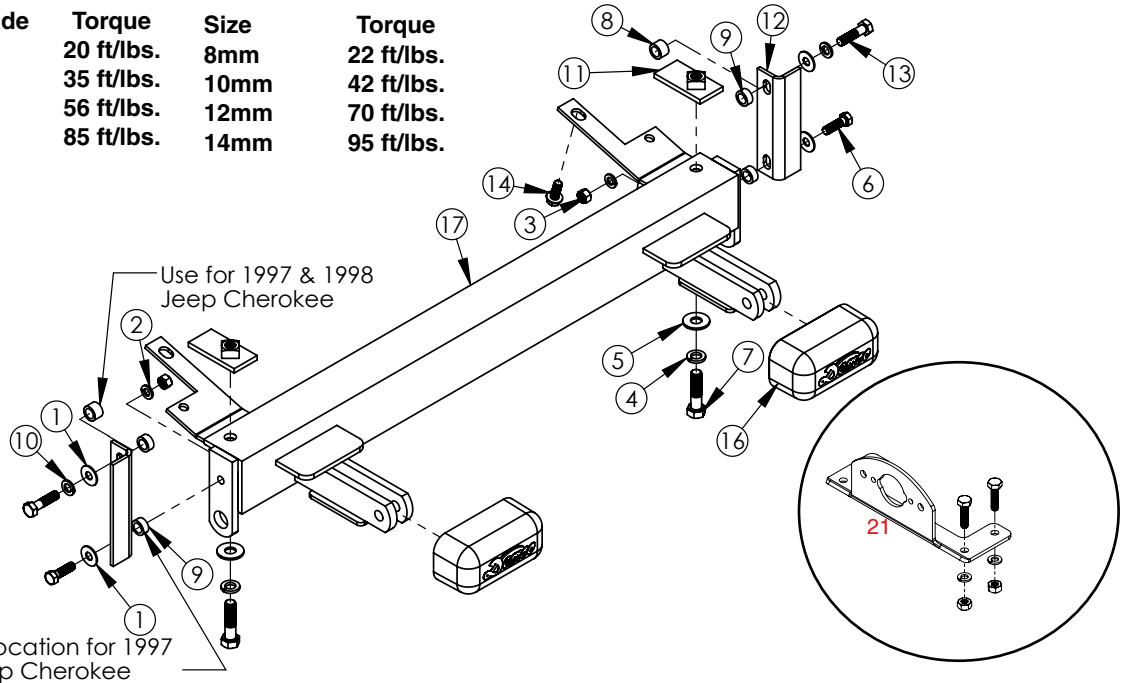
12-12  
 TP20010,Rev.9

Centers-24" Pin Height-16"

**BOLT TORQUE SPECIFICATIONS**

STANDARD BOLTS:			METRIC BOLTS:	
Size	Grade	Torque	Size	Torque
5/16"	5	20 ft/lbs.	8mm	22 ft/lbs.
3/8"	5	35 ft/lbs.	10mm	42 ft/lbs.
7/16"	5	56 ft/lbs.	12mm	70 ft/lbs.
1/2"	5	85 ft/lbs.	14mm	95 ft/lbs.

# BASE PLATE



**9518010 PARTS LIST**

REF. NO.	PART NO.	QTY.	DESCRIPTION
1.	00059	4	3/8" Flatwasher
2.	00060	2	3/8" Lockwasher
3.	00061	2	3/8"-16UNC Hex Nut
4.	00084	2	1/2" Lockwasher
5.	00085	2	1/2" Flatwasher
6.	00523	2	3/8"-16UNC x 1-1/4" Hex Bolt Gr.5
7.	01253	2	1/2"-13UNC x 2" Hex Head Bolt Gr.5
8.	02491-95	2	Spacer Bushing Plated
9.	02579-95	2	Spacer Bushing Pivot
10.	07284	2	10mm Lockwasher
11.	07322-35	2	Frame Nut Plate
12.	07323-35	2	Front Upright Bracket
13.	07335	2	10mm-1.5 x 40mm Hex Hd. Bolt Gr8.8
14.	07594	2	3/8" x 1.00 Hex Bolt Self Tapping
15.	12979	1	Pull Ear Cover
16.	12980	1	Pull Ear Cover
17.	13267-35	1	Base Plate
18.	04643	2	3/16" long reach alum. pop rivet(not shown)
19.	07490	2	3/16" rivet washer(not shown)
20.	12329	1	Loctite(not shown)
21.	5937	1	Plug Mount Kit

**Instructions for 1997 & 1998 Models start on page 4**

ASSEMBLY  
 OPERATION  
 REPLACEMENT PARTS

Please order replacement parts by **PART NO.** and **DESCRIPTION.**

**READ** complete manual *CAREFULLY*  
*BEFORE* attempting operation.

Doing Our Best to Provide You the Best

OPERATORS MANUAL

**WARNING: FAILURE TO FOLLOW THESE INSTRUCTIONS CAN RESULT IN LOSS OF TOWING VEHICLE CONTROL, SEPARATION OF THE TOW BAR FROM THE TOWING VEHICLE, SEPARATION OF THE TOWED VEHICLE FROM THE TOW BAR, CAUSING SEVERE PERSONAL INJURY, DEATH, OR PROPERTY DAMAGE.**

## **CAUTION**

Safety is of utmost importance at all times. There are several items that must be checked each time before using and while using a tow bar. Before allowing anyone to hook up or operate a tow bar, be sure they have read and understand the proper operating procedure.

**DO NOT** use worn or damaged cables and/or pins.

Be sure the **SAFETY CABLES** are hooked, chassis to chassis, to both the towing and towed vehicles using the crisscross method.

Check clearance between vehicles in a turning situation.

Check base plate mounting bolts for tightness and frame for metal fatigue.

Do not load the towed vehicle with anything as you may exceed the towing capacity of the tow bar.

Keep fingers away from pivot points to prevent personal injury.

Be sure the steering components of the towed vehicle are properly aligned.

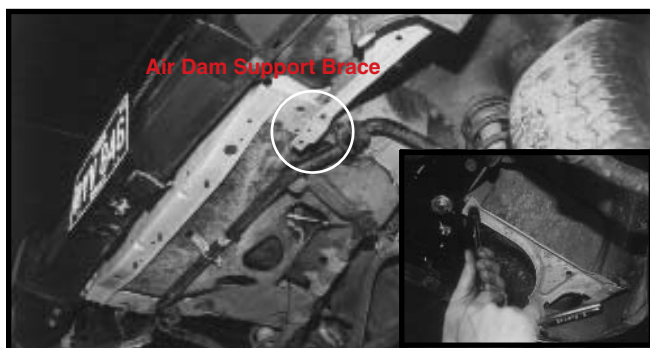
**NOTE:** This unit can be backed up in moderate increments. Any severe backwards cornering could result in damage to the Tow Bar and/or towed vehicle chassis.

**For automatic transmissions:** Consult your vehicle owners manual for towing suitability with the drive shaft connected. Otherwise, the towed vehicle will have to be equipped with a transmission pump or drive shaft disconnect.

Check to make sure that all lights are in proper working order.

**The information on towability of vehicles is reprinted with permission of MotorHome® Magazine, and is believed to be reliable. However, Demco does not warrant the information to be correct. Always consult your towed vehicle owner's manual and follow towing instructions. Each year, MotorHome® Magazine, compiles a list of vehicles that can be towed four-down behind a motorhome with no modifications required. This guide contains only those vehicles that have been approved by their manufacturers for towing.**

**Caution:** MotorHome® Magazine left out any vehicles that have towing speed limits slower than 55 m.p.h., or distance limits of less than 200 miles. At a minimum, these vehicles require significant modification, such as the use of an aftermarket product, to make them towable. The availability of a **Demco Tow Bar Base Plate** does not imply that these vehicles can be modified or that there is an aftermarket product available. Refer to your vehicle owner's manual or consult your dealer to determine whether your vehicle can be modified to make it towable. Failure to observe this precaution could result in property damage or personal injury.



1. Remove center section of Air Dam. Also remove two screws from corner support brace.

## **IMPORTANT INSTALLATION ITEMS**

Demco products and accessories are intended to be installed by professional installers with experience, proper equipment and the ability to do modification work. Installers with these qualifications can be found in RV and Automotive Service Centers.

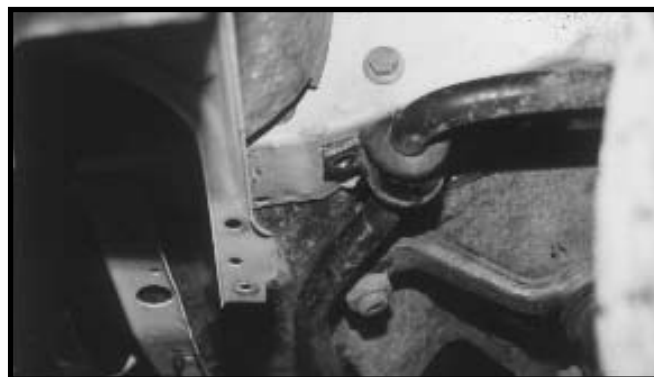
If the car to be towed has been in an accident, the chassis may be damaged in an area where the Base Plate attaches. It may no longer be suitable for towing. Extreme caution and careful examination are required in such a situation. It is also likely, even from a minor accident, that the hole alignment will be more difficult due to hole alignment problems.

Many Demco Base Plates are designed to use existing holes and hardware to mount the Base Plate to the towed vehicle. Even though the bolt is there, however, do not assume it is adequate for mounting the Base Plate. Manufacturers make many changes in hardware both within and between model years. Be sure the bolt is long enough to protrude past the nut a distance no less than 1/2 the diameter of the bolt, after the Base Plate is mounted. The threads should be in good condition. **We require that "LOCTITE® Blue" be used on all bolts.** If a new bolt is required, be sure it is SAE Grade 5 or Metric 8.8.

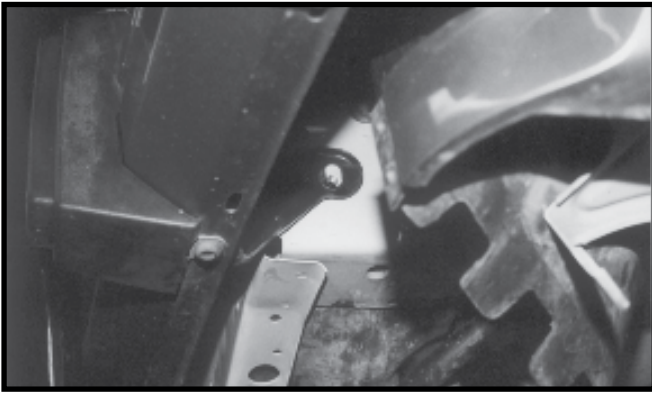
**NOTE: The dimensional variations between otherwise identical vehicles can be considerable. Some minor modifications may have to be made to ensure a proper fit.**

**NOTE: The dimensional variations between otherwise identical vehicles can be considerable. Some minor modifications may have to be made to ensure a proper fit.**

## **INSTALLATION INSTRUCTIONS**



2. Remove front bolt from sway bar mounting bracket.  
**NOTE: Remove front bolts only.**



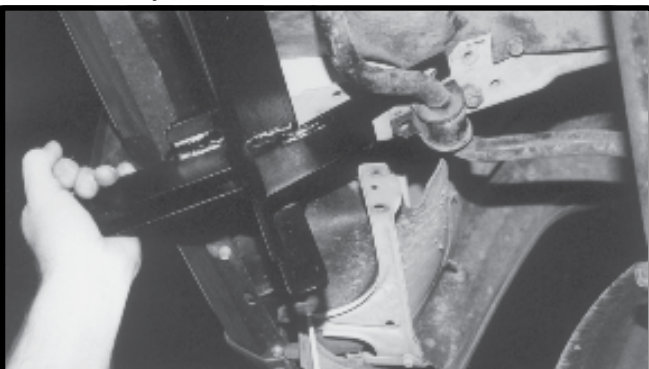
3. Remove rear bolt from bumper bracket located on side of frame. One of these bolts will be used later in the installation.



4. Remove plastic retainers from front of rubber splash shield. Cut relief slice in rubber shield on passenger side of vehicle. Tuck rubber on top side of cross member and reinstall plastic retainers.



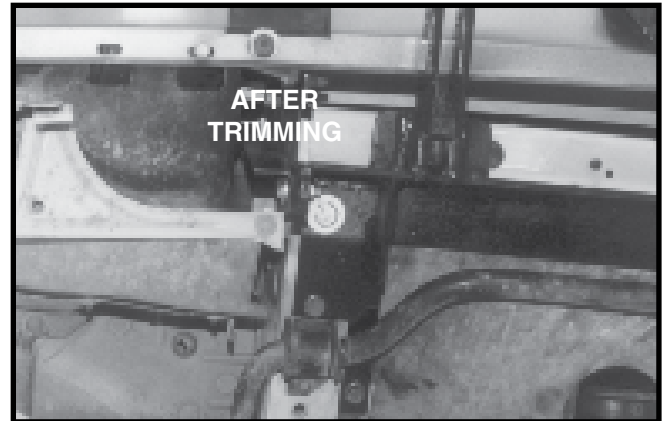
5. Install Frame Nut Plate in the end of frame and align with factory hole.



6. Slide base plate into position. Base Plate is positioned between sway bar mounting bracket and frame.

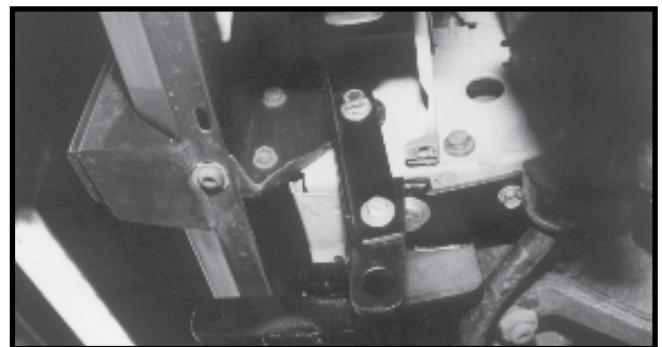


BEFORE  
TRIMMING



AFTER  
TRIMMING

7. Loosely install sway bar bracket.
8. Install two 1/2" x 2" bolts, lockwashers and flatwashers in front hole through base plate and into nut plate.
9. Install the rear frame bolts that were previously used in the bumper brace.
10. First tighten 1/2" bolts, then tighten all other bolts. Tighten all bolts to specified torque settings on front page.  
**We require that "LOCTITE Blue" be used on all bolts.**



11. Install reinforcement angle using a 10mm x 40mm hex bolt, lockwasher, flatwasher and spacer bushing on upper mounting. **NOTE: Spacer Bushing is installed between angle bracket and bumper mount bracket.**  
Secure the lower portion of this bracket to the base plate using a 3/8" x 1-1/4" hex bolt, flatwasher, lockwasher and hex nut. Tighten bolts and repeat for other side.
12. Locate and cut access holes for base plate pull ears. The 1-1/2" wide x 2" tall holes are located 2-1/2" down from top of air dam and 12-5/8" from each end. Trial fit and reinstall air dam. Remove air dam corner support brace. You will have to trim 2-1/2" off end of brace, as shown in upper two photos. After cutting bracket reinstall corner brace and installation is complete.
13. Plug mount (item #21) may be installed if desired in convenience holes on either chain anchor or as desired.  
**NOTE: Excess material may be trimmed from bracket.**

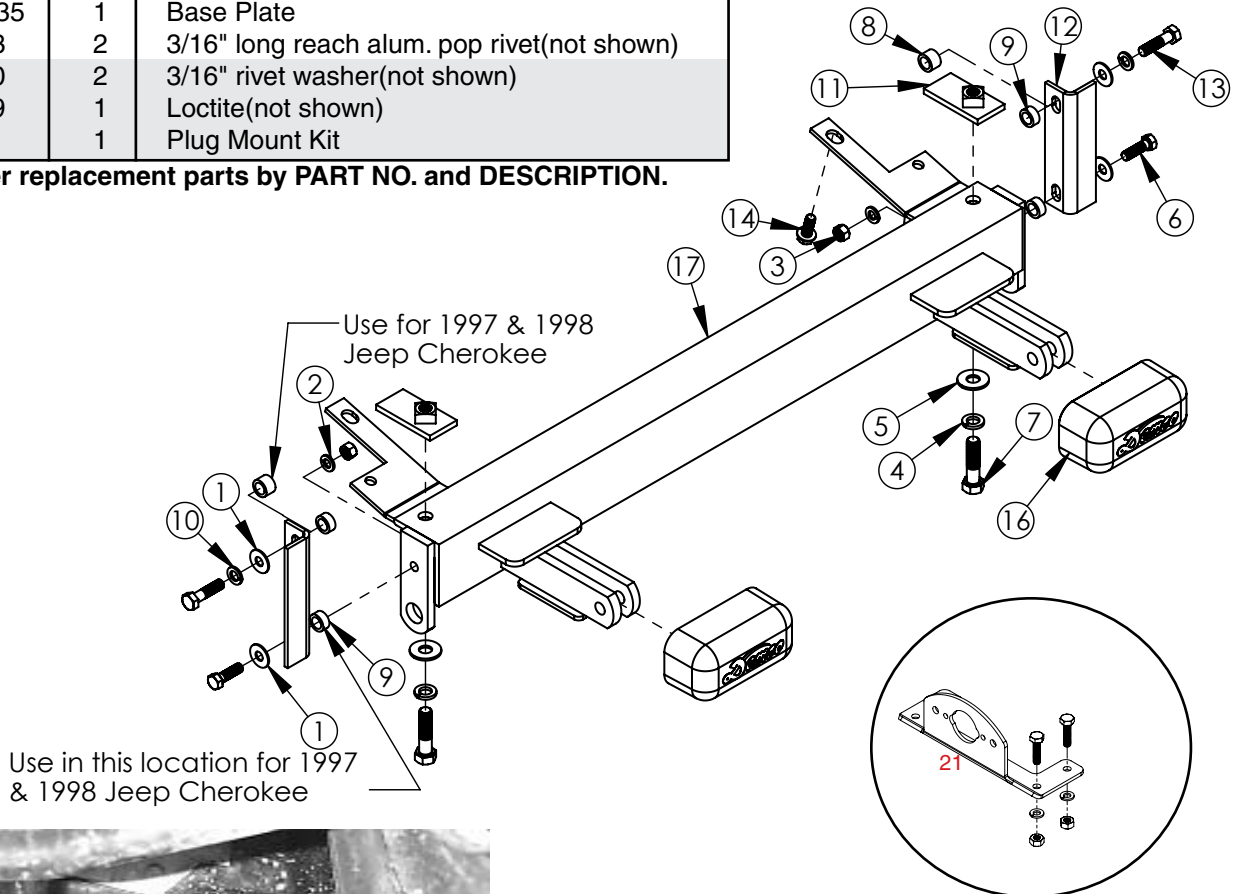


# Instructions for 1997 & 1998 Jeep Cherokee

## 9518010 PARTS LIST

REF. NO.	PART NO.	QTY.	DESCRIPTION
1.	00059	4	3/8" Flatwasher
2.	00060	2	3/8" Lockwasher
3.	00061	2	3/8"-16UNC Hex Nut
4.	00084	2	1/2" Lockwasher
5.	00085	2	1/2" Flatwasher
6.	00908	2	3/8"-16UNC x 1-3/4" Hex Bolt Gr.5
7.	01253	2	1/2"-13UNC x 2" Hex Head Bolt Gr.5
8.	02491-95	2	Spacer Bushing Plated
9.	02579-95	2	Spacer Bushing Pivot
10.	07284	2	10mm Lockwasher
11.	07322-35	2	Frame Nut Plate
12.	07323-35	2	Front Upright Bracket
13.	07335	2	10mm-1.5 x 40mm Hex Hd. Bolt Gr8.8
14.	07594	2	3/8" x 1.00 Hex Bolt Self Tapping
15.	12979	1	Pull Ear Cover
16.	12980	1	Pull Ear Cover
17.	13267-35	1	Base Plate
18.	04643	2	3/16" long reach alum. pop rivet(not shown)
19.	07490	2	3/16" rivet washer(not shown)
20.	12329	1	Loctite(not shown)
21.	5937	1	Plug Mount Kit

Please order replacement parts by PART NO. and DESCRIPTION.



## INSTALLATION INSTRUCTIONS FOR 1997 & 1998 CHEROKEE

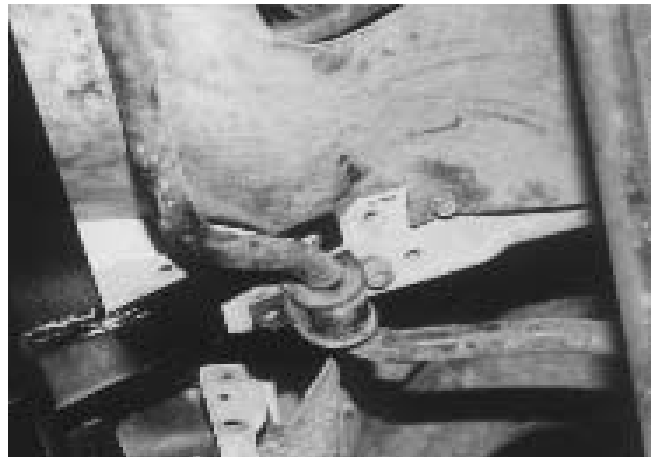
1. Drill out the two rivets that secure the center air dam to corner extensions. Use a 7/32" drill bit. Remove one bolt from each side of inner fender extension to gain access to bumper bracket and bumper extensions.



2. Remove left and right plastic bumper extensions, two fasteners on lower side and two attaching to fender on inside.



3. Remove four bolts that hold on bumper and remove bumper and unplug vacuum ball. Remove plastic retainers from front rubber splash shield and tuck splash shield on top of cross member and reinstall retainers from top side.

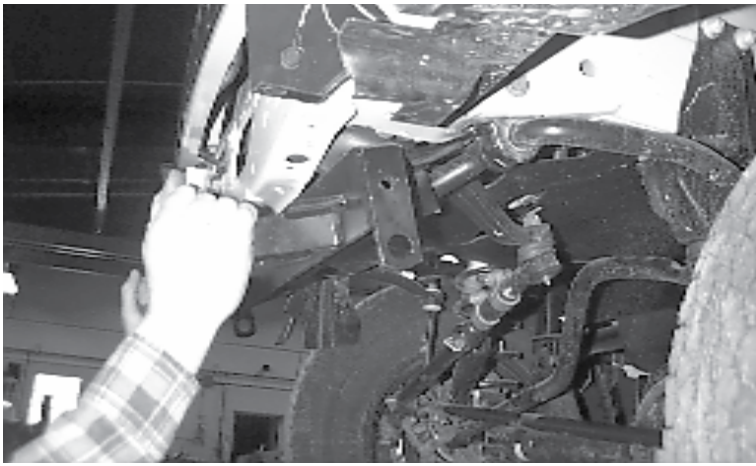


4. Remove front bolt from sway bar mounting bracket. **NOTE: Remove front bolts only.** Remove rear bolt from bumper bracket located on side of frame. One of these bolts will be used later in the installation.

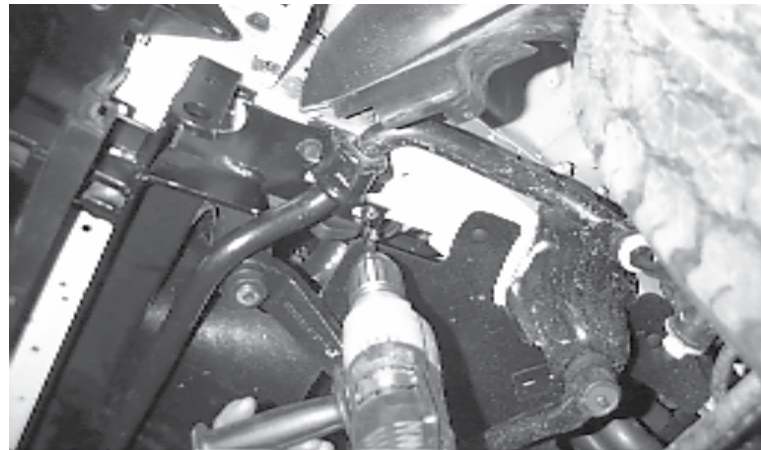
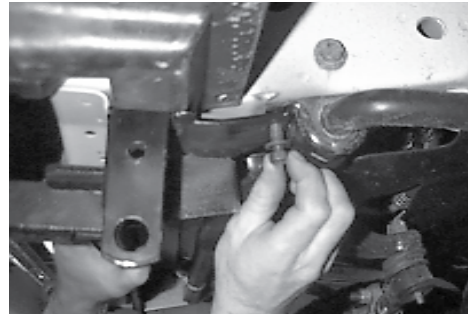


5. Install Frame Nut Plate in the end of frame and align with factory hole.



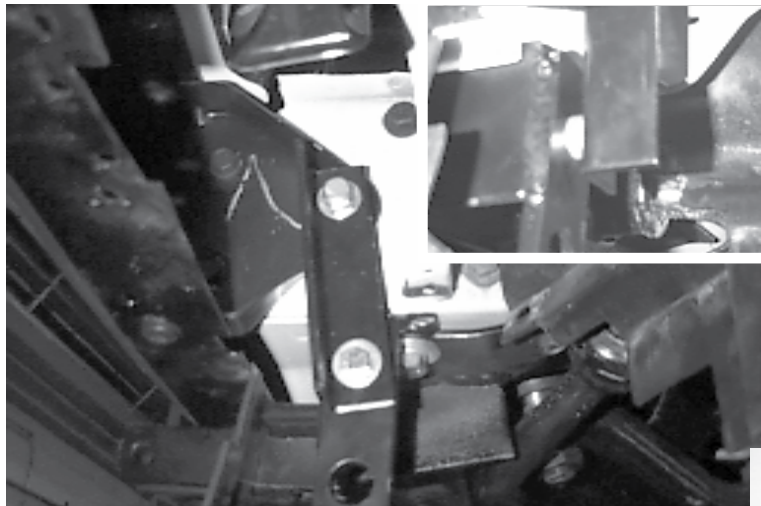


6. Slide base plate into position. Base Plate is positioned between sway bar mounting bracket and frame.
7. Loosely install sway bar bracket bolt.
8. Install two 1/2" x 2" bolts, lockwashers and flatwashers in front hole through base plate and into nut plate.
9. Install the rear frame bolts that were previously used in the bumper brace.



10. On drivers side, drill a 5/16" hole thru frame using baseplate as guide and secure with a 3/8" thread cutting screw.
11. First tighten 1/2" bolts, then tighten all other bolts. Tighten all bolts to specified torque settings on front page.

**We require that "LOCTITE Blue" be used on all bolts.**



12. Install reinforcement angle using a 10mm x 40mm hex bolt, lockwasher, flatwasher and long spacer bushing on upper mounting. **NOTE: Long Spacer Bushing is installed between angle bracket and bumper mount bracket.**

Secure the lower portion of this bracket to the base plate using a 3/8" x 1-3/4" hex bolt, short spacer bushing, flatwasher, lockwasher and hex nut. Tighten bolts and repeat for other side.

13. Locate and cut access holes for base plate pull ears. The 1-3/4" wide x 2-1/4" tall holes are located at top corner of air dam and 3-1/8" from outer most edge of center air dam. Trial fit and reinstall air dam and bumper combination. Reinstall plastic bumper corners and secure inner fender well.



14. Plug mount (item #21) may be installed if desired in convenience holes on either chain anchor or as desired. **NOTE: Excess material may be trimmed from bracket.**



## Warranty Registration

4010 320th Street • Box 189 • Boyden, Iowa 51234  
Toll Free 800-54DEMCO (800-543-3626) • FAX 800-845-6420  
www.demco-products.com

Ag	<input type="radio"/>
RV	<input type="radio"/>
Rental	<input type="radio"/>
Brakes	<input type="radio"/>
Marine	<input type="radio"/>

	Very Satisfied	Satisfied	Dissatisfied	Very Dissatisfied
How satisfied are you with our product?	<input type="radio"/>	<input type="radio"/>	<input type="radio"/>	<input type="radio"/>
How satisfied are you with the dealership/distributor sales staff?	<input type="radio"/>	<input type="radio"/>	<input type="radio"/>	<input type="radio"/>
Dealer/Distributor Name _____ City _____ State _____				
How satisfied are you with the company sales staff?	<input type="radio"/>	<input type="radio"/>	<input type="radio"/>	<input type="radio"/>
How satisfied are you with the delivery?	<input type="radio"/>	<input type="radio"/>	<input type="radio"/>	<input type="radio"/>
Did you have any contact with a Demco Representative?	YES	NO		
If <b>YES</b> , how satisfied were you?	<input type="radio"/>	<input type="radio"/>	<input type="radio"/>	<input type="radio"/>
I would recommend this product to my family and friends.	YES	NO		
Would you purchase again from DEMCO?	YES	NO		
Since taking delivery, have you been contacted by the dealer?	YES	NO		
Did you have any problems with this DEMCO product?	YES	NO		
If <b>YES</b> , are you satisfied with the company's resolution of your problem?	<input type="radio"/>	<input type="radio"/>	<input type="radio"/>	<input type="radio"/>

Please list the specific source of information prompting this purchase.

\_\_\_\_\_  
\_\_\_\_\_

After purchasing this product, do you see any needed product improvement? \_\_\_\_\_ If yes, what improvement? \_\_\_\_\_

\_\_\_\_\_

What other products would you like to see DEMCO offer? \_\_\_\_\_

\_\_\_\_\_

Comments \_\_\_\_\_

\_\_\_\_\_

Owner's Name: \_\_\_\_\_ Mailing Address: \_\_\_\_\_

City: \_\_\_\_\_ State: \_\_\_\_\_ Zip Code: \_\_\_\_\_

Model#: \_\_\_\_\_

Serial #: \_\_\_\_\_

Purchase Date: \_\_\_\_\_

Owner's Signature: \_\_\_\_\_

Please return to DEMCO By FAX or tri-folding this form to the backside, it is pre-addressed.

Postage

*Demco  
4010 320th Street, Box 189  
Boyden, Iowa 51234*



# DEMCO PRODUCTS ORIGINAL PURCHASERS LIMITED WARRANTY

## 1. Extent and Duration of this Warranty:

Your Demco product has a 1 year limited warranty to be free from defects in materials and workmanship under normal use and service from date of purchase by the original (first) retail owner, or until it is resold or transferred by the original owner. Any part of the Demco product found in the judgement of the manufacturer to be defective in materials or workmanship will be repaired or replaced at the manufacturer's option without charge for parts or labor to the original owner.

## 2. Manufacturer and Warrantor:

Demco  
4010 320th Street  
P.O. Box 189  
Boyden, IA 51234  
(712) 725-2311

## 3. Repair or Replacement Procedure:

If your Demco product develops a defect during the warranty period, promptly notify Demco customer service department. Until such notice is received, Warrantor will not be responsible for any repair or replacement.

Upon receipt of notice from you, Warrantor will have a choice of options in replacing any part it determines to be defective:

- a) Warrantor may require you at your own expense to deliver or ship the part to its factory or authorized dealer. Any defective part will be repaired or replaced and returned to you free of charge. Any part returned to Warrantor and found not to be defective will be returned to you freight collect with an explanation.
- b) Warrantor may elect to ship a new part to its dealer to be exchanged free of charge for the defective part returned by you to the dealer.
- c) Warrantor may elect to ship or deliver a replacement part to your address.

## 4. Limitations on Warranty Coverage:

Coverage under this warranty will be valid only if the customer warranty card is returned by the original purchaser within 30 days of purchase.

Coverage under this warranty will be effective only when a copy of the original invoice, showing the date and location of purchase, accompanies any claim for warranty. This warranty is limited to the original owner and is NON TRANSFERABLE to a second party.

Warrantor has no liability whatsoever and this warranty is null and void if any Demco product has been misassembled or subjected to neglect, negligence, misuse, accident or operated in any way contrary to the operating and maintenance instructions as specified in the Demco Owner's Manual for that model.

This warranty does not cover any product that has been altered or modified so as to affect its operation, performance or durability, or that has been modified to change the intended use of the product.

In addition, the warranty does not extend to repairs made necessary by normal use of parts, accessories or other equipment which in the judgment of Warrantor, are either incompatible with the Demco product, or affect its operation, performance or durability.

This warranty does not cover:

- 1) normal wear and tear
- 2) road film or gravel damage to paint
- 3) paint
- 4) rust damage

Warrantor has a policy of continuous product improvement. We reserve the right to change or improve the design of any Demco product, including but not limited to state of the art changes, without assuming any obligation to modify any product previously manufactured.

Warrantor assumes no responsibility to the owner for loss of use of the product, loss of time, inconvenience or other damage consequential or otherwise, including, but not limited to expense for gasoline, expense of transporting the product to the dealer and expense of returning the product, mechanic's travel time, telephone or telegram charges, road service/towing charges, rental of another product during the time warranty repairs are being performed, travel, lodging, loss or damage to personal property or loss of revenue or earnings.

## 5. Limitations of Implied Warranties:

All implied warranties, if any, expire and terminate upon expiration of this warranty. Some states do not allow limitation on how long an implied warranty lasts, so this limitation may not apply to you.

## 6. Limitation of Consequential Damages:

Warrantor's responsibility under this warranty extends solely to repair or replacement of your Demco product and its component parts. Warrantor does not assume responsibility for, nor shall it be liable for, any special, incidental or consequential damages. Some states do not allow the exclusion or limitation on incidental or consequential damages, so the above exclusion or limitation may not apply to you.

## 7. Purchaser's Rights:

This warranty gives you specific legal rights, and you may also have other rights which vary from state to state.

## 8. Exclusive Warranty:

This is the only express warranty made by Demco on your Demco product and no agent, employee, or other person is allowed to change or add to this warranty.

## NOTES

# NOTES



4010 320th St., P.O. BOX 189, BOYDEN, IA. 51234  
PH: (712) 725-2311 FAX: (712) 725-2380 or 1-800-845-6420  
TOLL FREE: 1-800-54DEMCO (1-800-543-3626)  
[www.demco-products.com](http://www.demco-products.com)