



ULTRA-FAB PRODUCTS, INC.

ACCESSORY ADAPTER

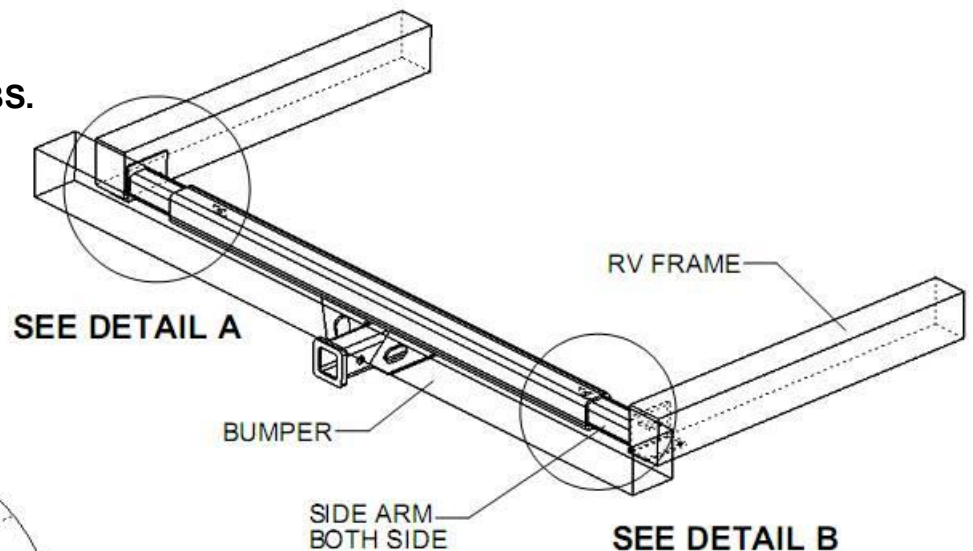
Part # 35-946403

- Fits RV frame widths ranging from 47½" to 77" measured from the inside of frame.
- Hitch must be welded to the RV frame.
- **DO NOT BOLT TO FRAME (WELD ONLY)**
- Frequent visual inspection is recommended.
- **NOT FOR USE WITH CARS, SUVs or TRUCKS**

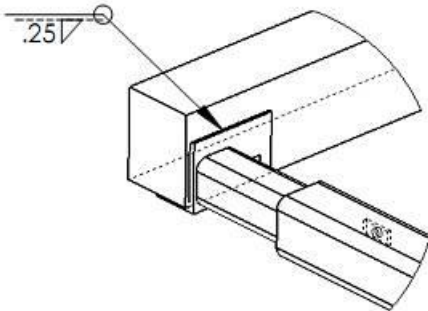
WARNING:

- **DO NOT** attach hitch to a frame which may be corroded, damaged, or weak. Serious injuries can occur.
- **DO NOT** exceed RV frame rating provided by manufacturer.

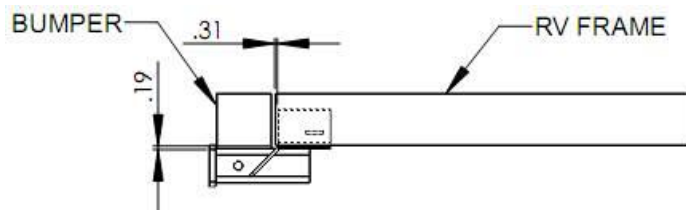
MGTW: 3,500 LBS.
TONGUE WEIGHT: 350 LBS.
CLASS 2



WELD ALL AROUND
BOTH SIDE

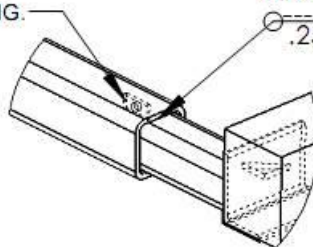


DETAIL A
BUMPER IS NOT SHOWN



SECURE BOLT BEFORE WELD.
REMOVE BOLT AFTER WELDING.

WELD ALL AROUND
BOTH SIDE



DETAIL B
BUMPER IS NOT SHOWN

**ULTRA-FAB PRODUCTS, INC.
ONE YEAR LIMITED WARRANTY**

**THE MANUFACTURER NAMED BELOW MAKES THE FOLLOWING WARRANTY WITH RESPECT TO
THE ULTRA TRAILER HITCH**

1. This Warranty is made only to the first Purchaser (hereinafter called the "Original Purchaser") who acquires this product for their own use.
2. This Warranty will be in effect for three years from the date of purchase by the Original Purchaser. It is suggested that the Original Purchaser retain a copy of the dated bill of sale as proof of purchase.
3. This Warranty covers only specified parts which shall be free from defects in material and workmanship under normal use. This Warranty does not cover conditions unrelated to the material and workmanship of the product. Such unrelated conditions include, but are not limited to (a) faulty installation and any damage resulting from such; (b) failure to follow Manufacturer's instructions for use of this product, and (c) any accident to, or misuse of, any part of this product and any alteration by anyone other than the Manufacturer or its authorized representative.
4. In order to obtain the benefits of this Warranty, you should return the product which you find defective to the Manufacturer named below, along with the proof of purchase, during the period that this Warranty is in effect. All charges incurred in delivery of the product to the Manufacturer, and in picking it up after the Warranty service has been completed, must be paid by the Original Purchaser.
5. Any item returned in the manner described in paragraph 4 will be examined by the Manufacturer. If it is found that the returned item was defective in material or workmanship, the Manufacturer will repair or replace the product, at their option, without charge for material or labor.
6. Ultra-Fab will pay freight on replacement parts during the first 90 days of ownership by the Original Purchaser.
7. The Manufacturer does not authorize any person or company to create any Warranty obligation or liability on their behalf.
8. NEITHER PARTY SHALL BE LIABLE FOR SPECIAL, INDIRECT, INCIDENTAL OR CONSEQUENTIAL DAMAGES. THE REMEDIES OF THE PURCHASER, AS SET FORTH HEREIN, ARE EXCLUSIVE, AND THE LIABILITY OF ULTRA-FAB PRODUCTS, INC. SHALL NOT EXCEED THE PRICE OF THE EQUIPMENT OR PART ON WHICH SUCH LIABILITY IS BASED.
9. SOME STATES DO NOT ALLOW THE EXCLUSION OR LIMITATION OF INCIDENTAL OR CONSEQUENTIAL DAMAGES, SO THE ABOVE LIMITATION MAY NOT APPLY TO YOU.
10. THIS WARRANTY GIVES YOU SPECIFIC LEGAL RIGHTS, AND YOU MAY ALSO HAVE OTHER RIGHTS WHICH VARY FROM STATE TO STATE.

**ULTRA-FAB PRODUCTS, INC.
57985 STATE ROAD 19, SOUTH
ELKHART, IN 46517
(800) 860-7571**