

Hang2 Rack Instructions

Model #27041



Important

This bike rack is designed for use in a 2" or 1.25" receiver and designed to hold a maximum of two bikes. Do not use this rack for anything other than carrying bicycles. Do not exceed your vehicle's receiver load ratings for any reason. Reference the instruction manual for proper use of the rack.

Warning

Check the tightness of bolts and nuts periodically as they may loosen slightly during normal use.

DO NOT drive the vehicle with the bike rack in the lowered position.

This rack CANNOT be mounted and used on the rear of trailers or RVs.

This rack MUST be removed from the vehicle before going through a car wash.

PARTS INCLUDED

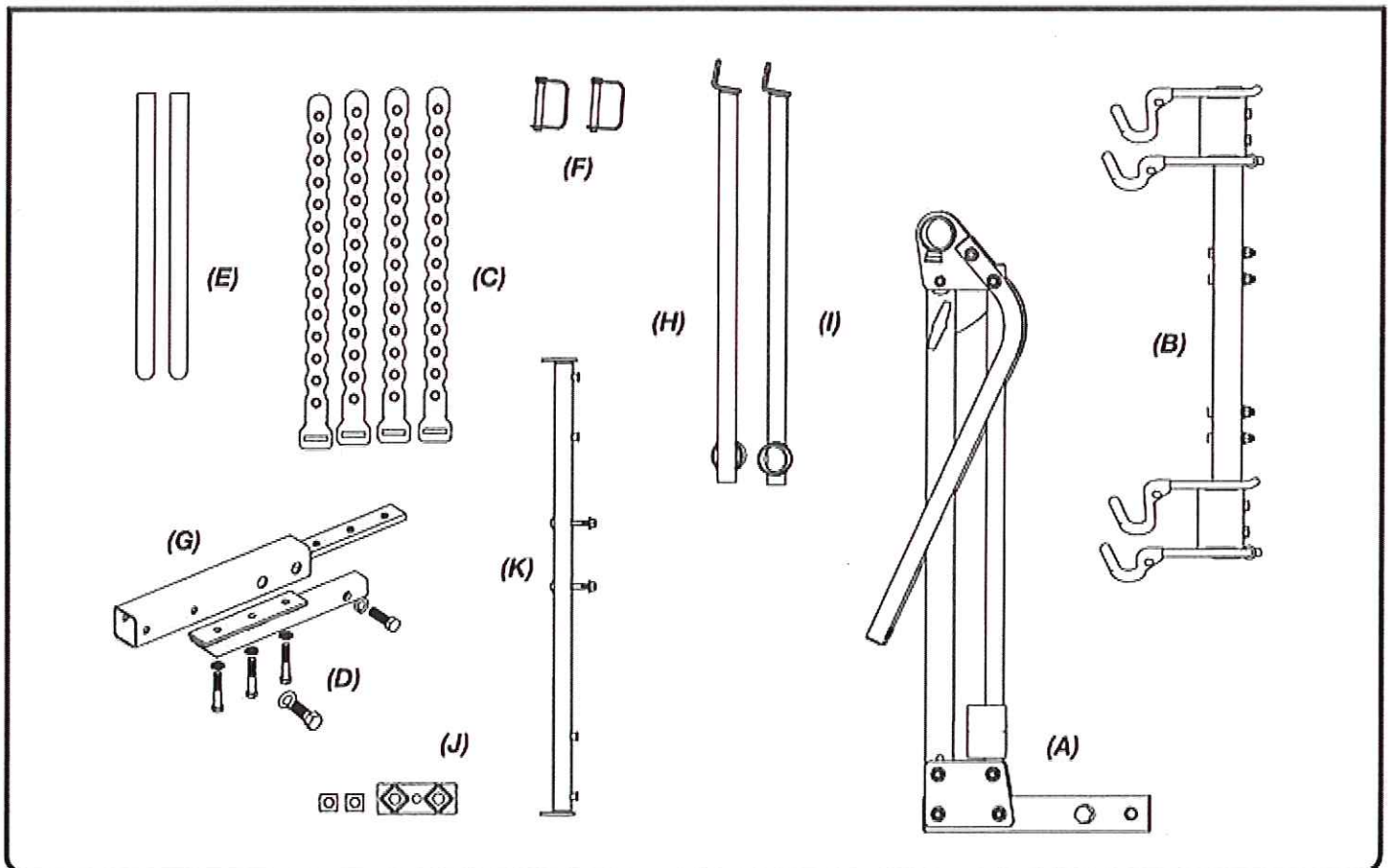
- (A) Main Base Rack Assembly
- (B) Hang Bar w/ 2 Hangers (Pre-Installed)
- (C) Hang2 Super Straps (4)
- (D) Hitch Bolt w/ Lock Washer (5/8" for 2" receivers, 1/2" for 1.25" receivers)
- (E) SoftWraps (2)
- (F) Detent Pins (2 PTO Pins 3/8" x 3.5")
- (G) 1.25" Hitch Bar Assembly
- (H) Vertical Hanger Support (Passenger Side)
- (I) Vertical Hanger Support (Driver Side)
- (J) Hitch Bar Nut Holder for 2" receivers (Pre-Installed inside 2" Hitch Bar)
- (K) Rear Wheel Support Bar (w/ 4 strap attachment buttons)

TOOLS REQUIRED

- Adjustable Crescent Wrenches (2)
- 6mm and 8mm hex driver (Allen Wrench)

RECOMMENDED TOOLS

- Metric Socket Set
- 7/8" Ratcheting Box Wrench
- 13mm Wrench (or 1/2" SAE)
- Torque Wrench up to 60 ft-lbs



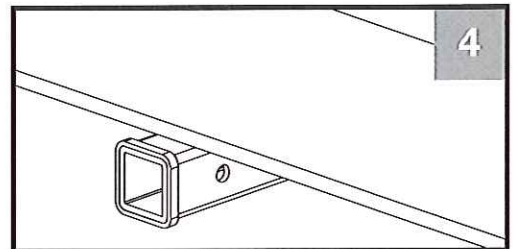
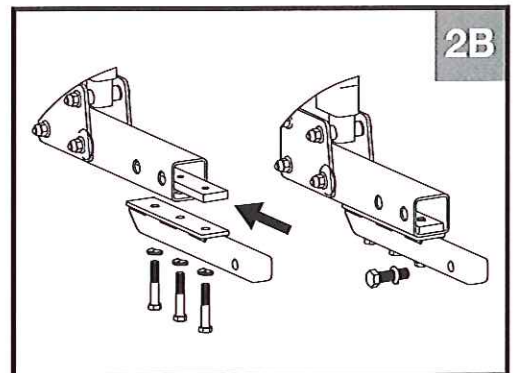
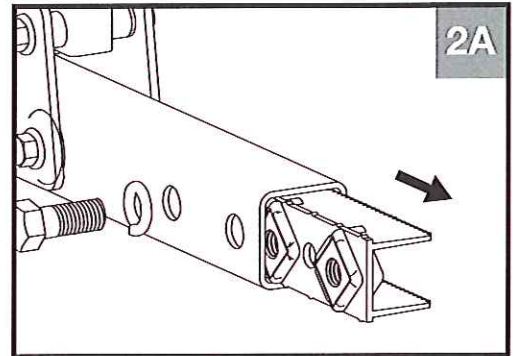
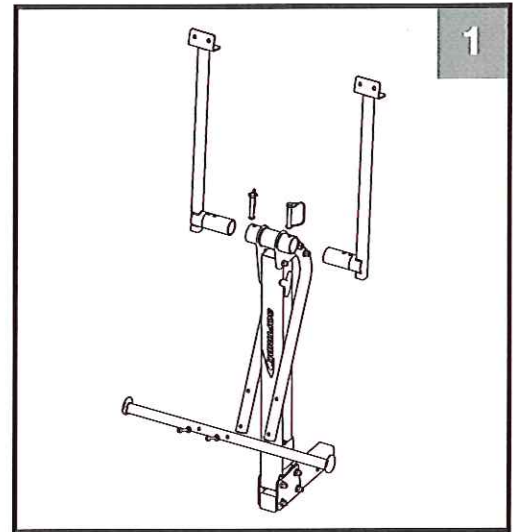
Assembly of Rack

1 Begin assembly of your Hang2 rack by removing the main rack assembly (A) and the 2 Vertical Hanger Supports (H, I) from the box.

2 **For 2" Receivers skip to Step 3**
To convert your 2" rack to a 1.25" rack you will need to add on the 1.25" assembly to the 2" hitch bar. Remove the nut holder from the inside of the 2" hitch bar assembly. Slide the three-holed nut plate inside the 2" hitch bar, aligning the holes. Pass the three bolts through the lock washer and 1.25" hitch bar and tighten to the nut plate. Make sure the three bolts are tightened securely and recheck the tightness of the bolts from time to time.

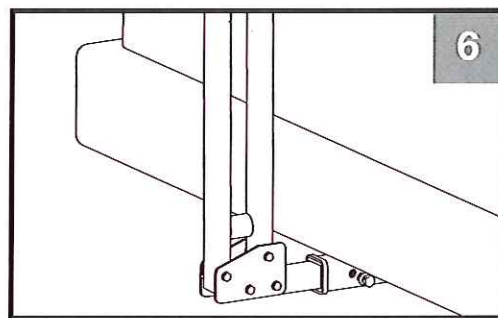
3 Check to make sure that the nut inside the rack hitch bar is aligned with the holes in the hitch bar. Adjust with a screw driver if necessary.
Tip: If you don't see the threaded nut, look down the inside of hitch bar tube from the end. It may have shifted during shipping.

4 Check inside the receiver hitch for dirt, debris or burrs and remove them from inside the hitchbox. A clean receiver hitch ensures maximum anti-rattle capabilities and helps prevent rust from migrating from receiver hitch to bike rack.



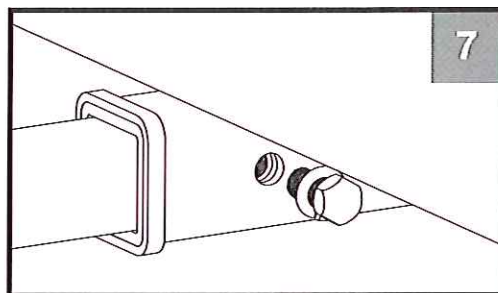
Assembly of Rack (cont.)

- 5 Slide the rack into the receiver hitch of the vehicle.
- 6 Line up the hole in the rack hitch bar with the hole in the receiver hitch.
Tip: When possible, position the rack closer to the vehicle for enhanced stability.



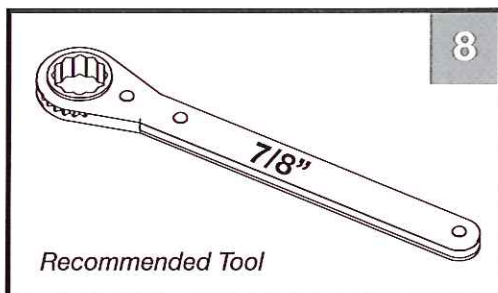
- 7 Place the lock washer on the hitch bolt and hand thread it into the nut in the hitch bar.

Note: The bolt is not intended to go through the other side of the hitch bar or receiver hitch.

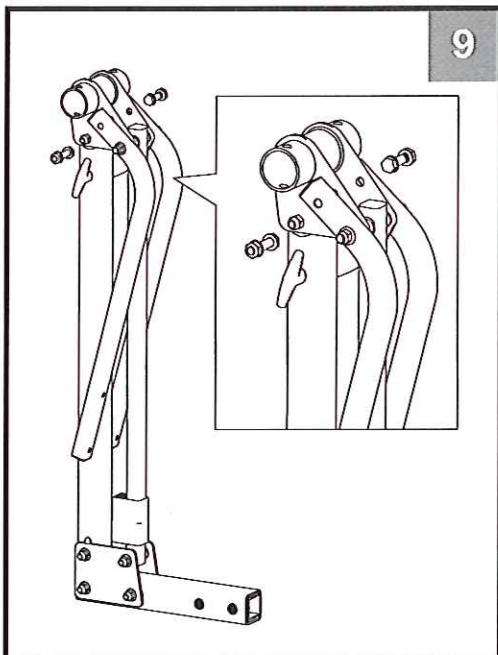


- 8 Once the hitch bolt is hand tightened, gently wiggle the hitch bar in the receiver hitch and retighten to 60 foot-pounds.

Tip: A 7/8" ratcheting box wrench will speed up the install and un-install process and is easy to stow in the car so it is always near the bike rack. This is easier and more cost effective than using a socket set in most cases.



- 9 Using two adjustable wrenches, install the second two bolts that affix the Lower Support Bars (2) to either side of the Pivot Knuckle on the Main Base Rack Assembly (A) using the provided 10mm bolt sets (2).



Assembly of Rack (cont.)

10 Insert Passenger Side (H) Vertical Hanger Support into Passenger Side of Pivot Knuckle and secure with Detent Pin in Up Position.

11 Insert Driver Side (I) Vertical Hanger Support into Driver Side of Pivot Knuckle and secure with Detent Pin in Up Position.

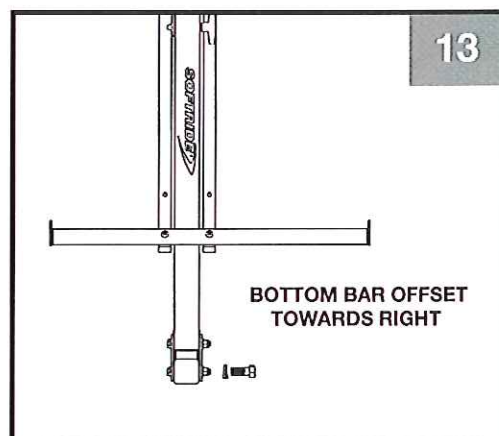
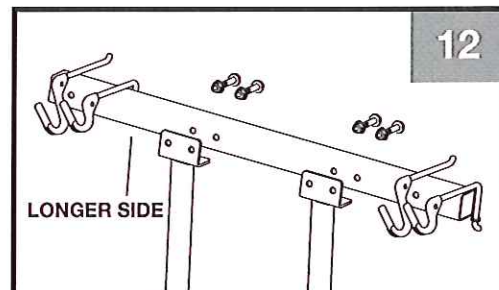
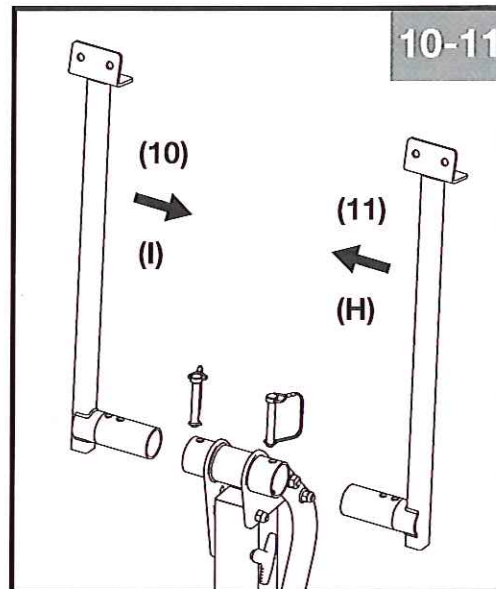
Note: Hangbar Mount(s) should be positioned as shown.

12 Use (4) 8mm x 60mm bolt sets to attach Hangbar (B) to the Vertical Hanger Supports. Tighten w/ torque wrench to 30 foot-pounds.

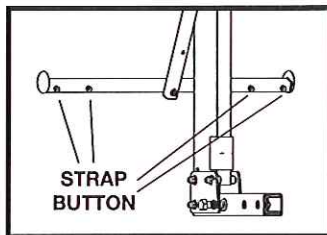
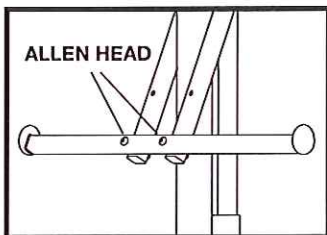
Note: Longer side of Hanger Bar should be on Driver Side of rack.

13 Using the (2) button head bolt sets secure the Rear Wheel Support Bar (K) with the longer end on the Passenger Side. Use Allen Wrench and adjustable wrench for this step.

Note: Strap buttons should face toward the vehicle and the button head bolts (allen button head) should face away from the vehicle.



NOTE



Hang2 Use Instructions

- 1 Load bikes handlebars first holding the Fork and Rear Triangle of the bike.
- 2 Once loaded, secure each bicycle with a minimum of two rubber straps, one at the handle bars and another holding the rear wheel to the Rear Wheel Support Bar

SECURING THE HANDLEBARS

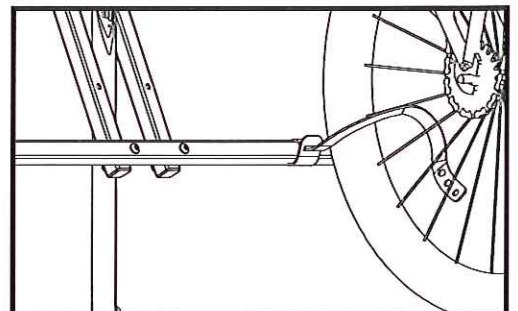
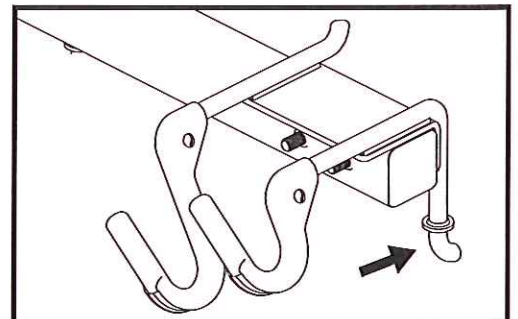
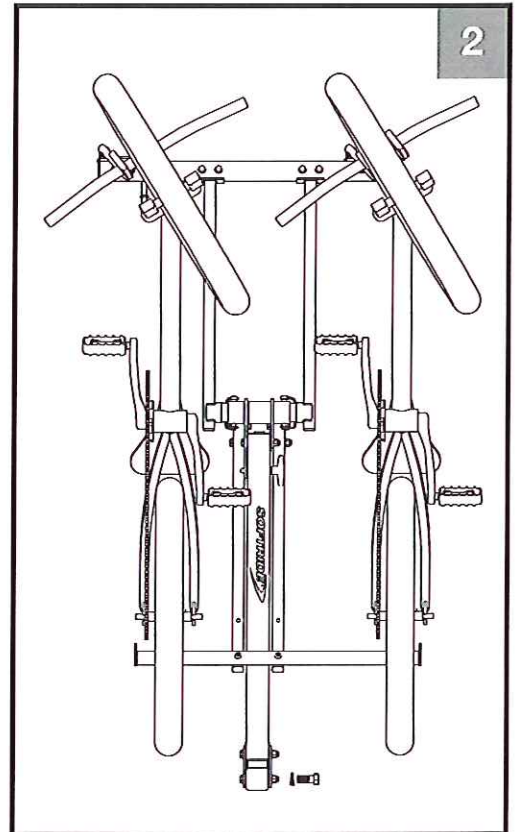
The Handle Bar Straps should always be secured to the lower strap point to ensure that the straps are pulling the handle bars into the base of the hangers.

SECURING THE REAR WHEEL

Attach the Rear Wheel Straps using the slot in the strap to wrap the strap through itself and around the Rear Wheel Support Bar . Then place the strap through the rear wheel and back to one of the strap buttons on the Rear Wheel Support Bar.

LONG DISTANCE TRAVEL TIP

When travelling long distances consider using Softwraps (sold separately) to prevent the front wheel from spinning in the wind turbulence behind the vehicle. Softwraps can also be used to limit rotation of the crank arms (pedals) on long trips.

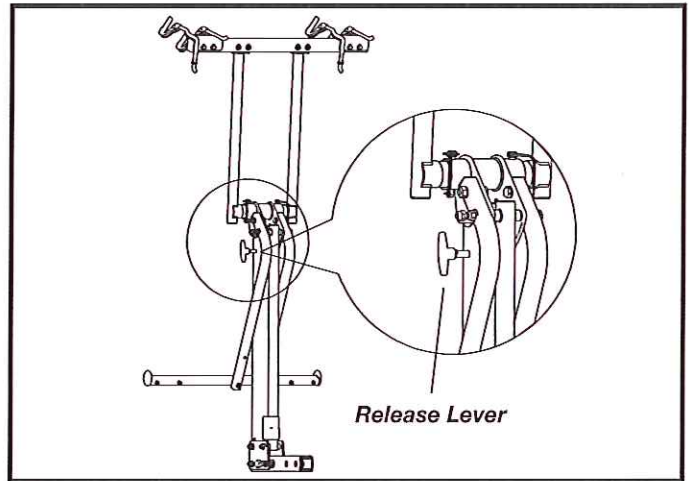


For more tips and to see a video of how to use this rack scan this code with a mobile device or visit: www.softride.com/h2how2



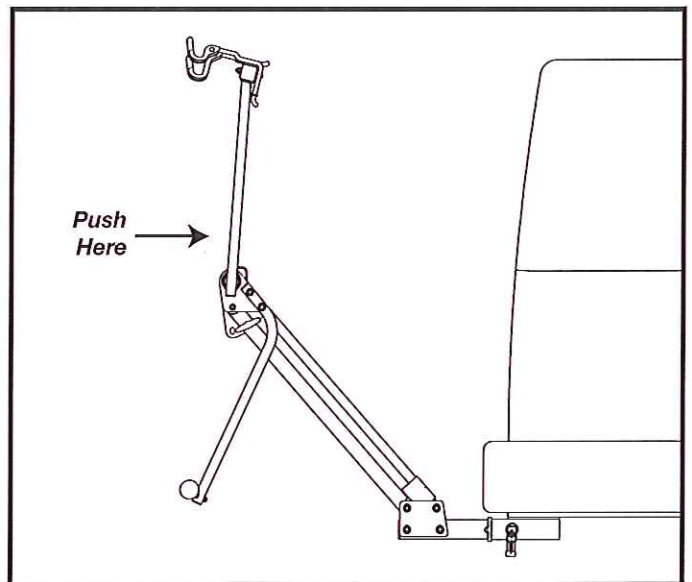
Hang2 Use Instructions (cont.)

To lower the rack into the access position, grasp the release lever and while pushing the rack towards the vehicle pull the spring loaded pin out. Supporting the whole rack, lower the unit. Do not set the unit onto your feet.



Depending on the weight of the bikes and the strength of the user one or two additional riders may be necessary to assist with lowering and raising a fully loaded Hang2 Rack.

To raise the rack back to the drive position, simply push on the Vertical Hanger Supports just above where they insert into the Pivot Knuckle.



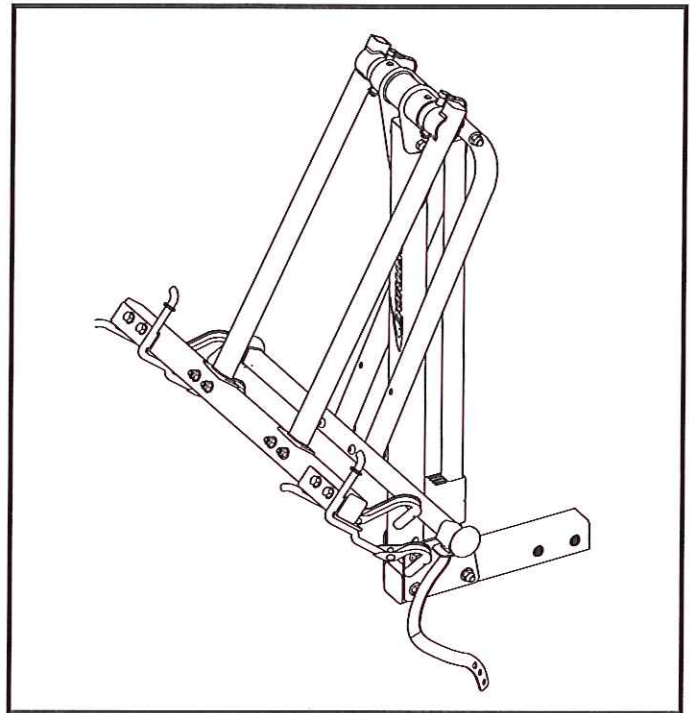
Never operate the vehicle with the rack in the lowered to the ground position!

Hang2 Use Instructions (cont.)

The Hang2 assembly can be folded down into stowage position and for easier installation and storage.

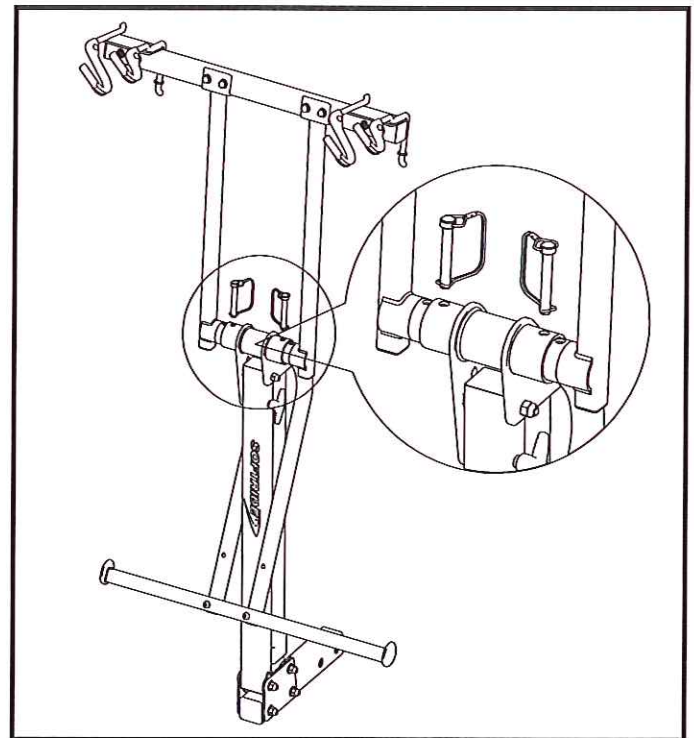
Always secure the Hangers to the Rear Wheel Support Bar with 2 or more Rubber Straps when driving with the rack in Stowage Position. Failure to do so may void the warranty of the rack and could result in damage to the rack or vehicle.

When folding the rack into stowage position take care not to place hands between the two support bars where fingers could get pinched.



To place the rack into stowage position remove the two Detent Pins, fold the rack down and secure top half of the rack to the lower half with two or more rubber straps. The Detent Pins can be reinserted to avoid misplacing them.

After returning the rack to use position from stowage, check the pivot assembly bolts to ensure they are tightened to each bolt's torque specification.



For more tips and to see a video of how to use this rack scan this code with a mobile device or visit: www.softride.com/h2how2

