

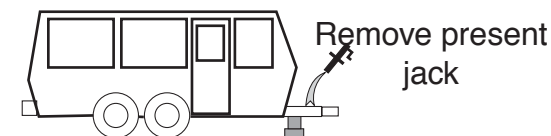
HIGH-PERFORMANCE 3,000 ACME JACK OWNER'S INSTRUCTIONS P/N 28428, 28457

H&H Engineering HIGH PERFORMANCE SERIES Acme Jack is designed to lift up to 3,000 pounds a full 18". It's design also includes a night light, a built in leveling devise, attached foot plate, and an emergency crank handle. An important part of owning and using HIGH PERFORMANCE Jack is being sure it is properly installed and serviced.

GENERAL SAFETY:

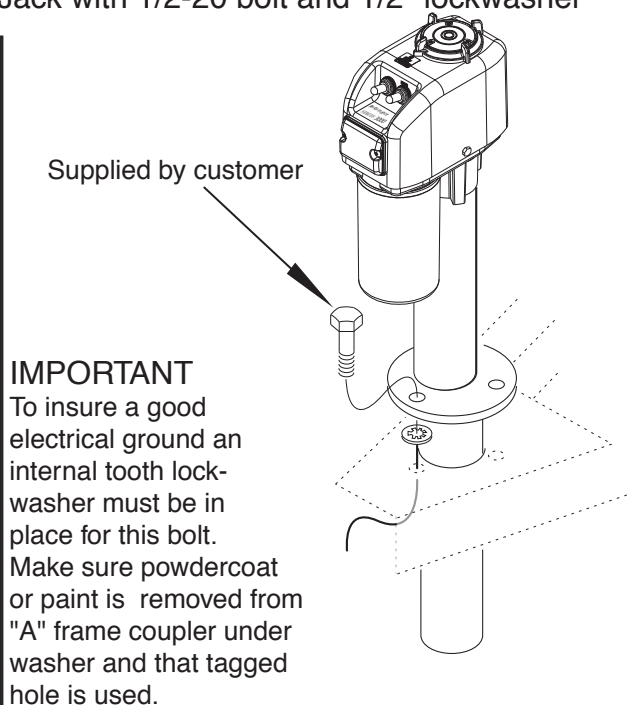
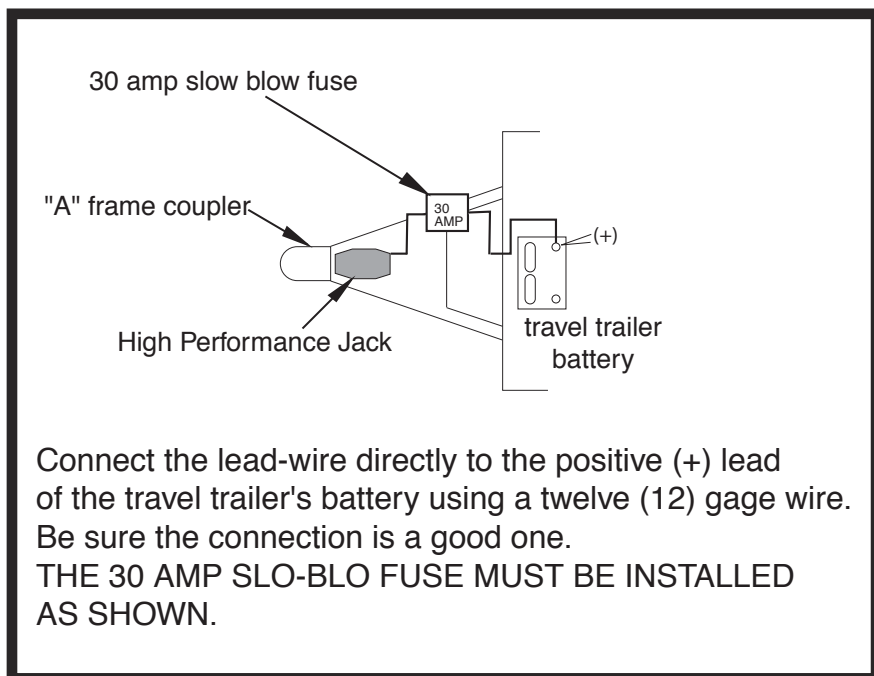
Read and understand the Jack installation instructions. Always block trailer wheel when using the jack. Remove jewelry (watches, rings, etc.)

BEFORE INSTALLATION:



Raise your travel trailer's front end and place blocks or stabilizing jacks under the front "A" frame. Lower the trailer until it rests securely on stabilizing jacks or blocks. Retract present jack and remove.

INSTALLATION: Install Jack in hole and secure with 3 bolts, 3 internal tooth lockwashers (bolt holes are threaded)
Attach the foot plate to High Power Jack with 1/2-20 bolt and 1/2" lockwasher



IMPORTANT NOTICE:

If it is necessary to change the position of the powerhead relative to the post and flange (in order to provide clearance between powerhead and LP gas bottle or LP gas cover, or more clearance between the lift gate and the powerhead) loosen set screws and rotate head without lifting off coupling. Retighten set screws when head is in desired position.

HIGH-PERFORMANCE 3,000 ACME JACK OWNER'S INSTRUCTIONS

OPERATION (ELECTRIC)

REMEMBER TO KEEP HANDS AND FEET FROM UNDER THE FOOT PLATE WHEN USING POWER JACK.

When HIGH PERFORMANCE JACK reaches the end of it's travel (either raising or lowering) the internal clutch activates. Dolly wheels are not recommended.

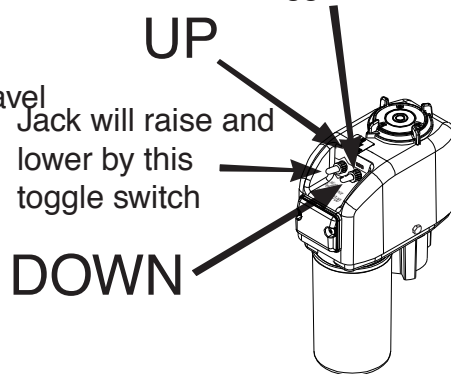


Warning

AVOID THE RISK OF INJURY OR DEATH TO YOURSELF AND OTHERS:

- USE THE JACK FOR LIFTING THE TRAVEL TRAILER ONLY.
- NEVER GET BENEATH THE TRAILER WHEN IT IS SUPPORTED BY THE JACK.
- SUPPORT THE VEHICLE WITH THE APPROPRIATE MEANS.

The "night-light" is controlled by this toggle switch

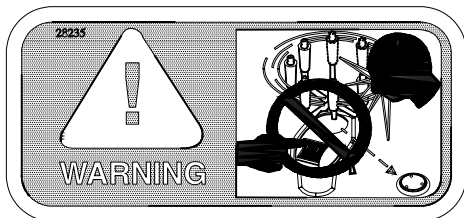


OPERATION (MANUALLY):

If an electrical failure should occur the emergency handle may be inserted into the jack post and the jack can be raised or lowered.

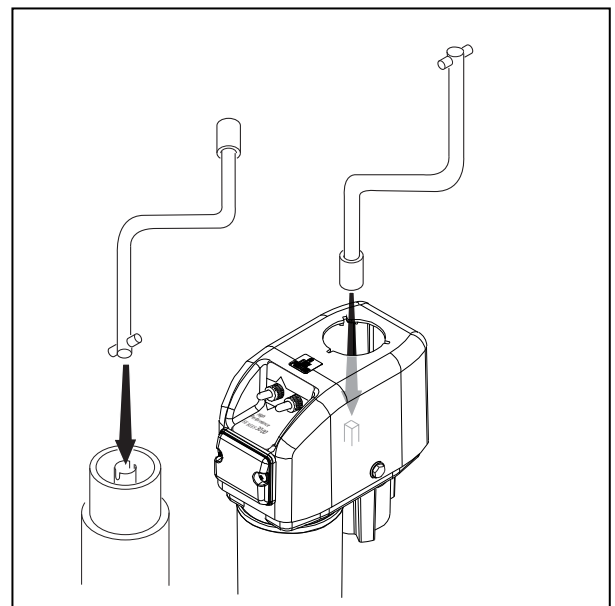
(Access can be obtained by twisting level cap off.)

If the powerhead is removed crank can still be used to raise and lower jack.



WARNING!!!

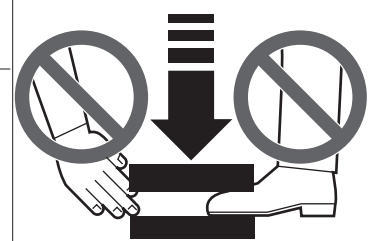
Do not use toggle switch with crank handle in place. Breaking this rule will cause serious injury or death.



WARNING

Don't risk serious injury or death in a shearing or squeezing accident. Keep body, hands, and feet away.

19989



■ REMEMBER TO KEEP HANDS AND FEET OUT FROM UNDER THE FOOT PLATE WHEN USING THE POWER JACK!!

■ DOLLY WHEELS ARE NOT RECOMMENDED.

BREAKING THESE RULES WILL CAUSE SERIOUS INJURY OR DEATH.

h H&H ENGINEERING

DIVISION OF BARKER MFG. CO.
730 E. MICHIGAN AVE. / P.O. BOX 460
BATTLE CREEK MI 49016 / (269) 965-2371

© Copyright H&H Engineering 1989

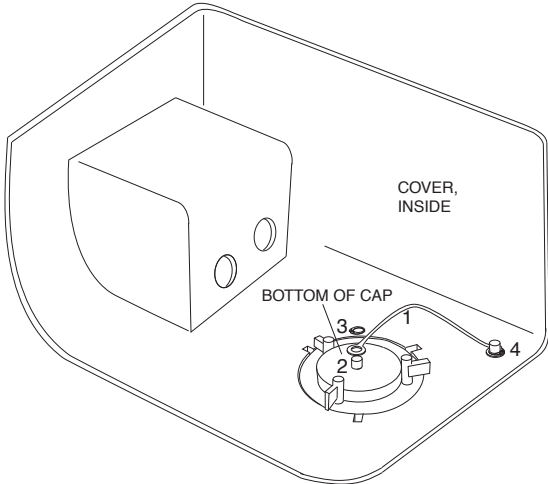
PAGE: 2 OF 4	DATE: 8 AUG 06	FORM #: 28432
REVISION LETTER: N	ECN#: 13247	APPROVED:

HIGH-PERFORMANCE 3,000 ACME JACK OWNER'S INSTRUCTIONS

STRAP ATTACHMENT:

1. Press strap (1) onto the stud (2) at the bottom of the cap.
2. Press the retaining ring (3) on stud (2) snug it down against the strap (1).
3. Repeat this process (4) on the stud found on the inside of the cover.

THIS WILL SECURE YOUR CAP.



MAINTENANCE:

Once a year, the powerhead should be removed and a liberal amount of grease (preferably a grease with high melting point) applied directly to the coupling on which the drive pin rests.

DO NOT POUR OIL into top of the jack post.

Once a year, the housing cover should be removed and the gears inspected for proper lubrication. Remove 4 screws and tap around edge of housing to free cover.

DO NOT insert screw driver blade! (This may damage mating surfaces.)

Before replacing cover, clean mating surfaces.

If lubrication is needed, use Mobilith 460 grease or equivalent.

SCHEMATIC WIRING DIAGRAM

