



Assembly, Installation, Operation and Maintenance Instructions

2009-2016 Dodge Ram 1500, Quad/Reg. Part # 30665 Cab, w/6.4ft. & 8ft. Bed, 2 & 4 WD.

For updates see PRODUCT SUPPORT tab at www.huskytow.com

Dealer / Installer: Provide a copy of these Instructions to the end user of this product. These Instructions provide important operating and safety information for proper usage of this product. Demonstrate the proper use of the product with the end user. Have the end user demonstrate that they understand the proper use of the product.

End User: Read and follow all instructions included in this manual. Ask your Dealer / Installer for assistance if you do not understand the proper use of the product. Never remove any decals from the product.

ITEM NO.	Description	QTY
1*	SMALL "L" BRACKET	2
2*	5/8 LOCK WASHER BLACK ZINC	2
3	5/8 FLAT WASHER CLEAR ZINC	2
4*	MOUNTING BRACKET ASSY	2
5*	1/2 -13 X 1-1/2 HEX BOLT	2
6	RIGHT ANGLE BRACKET	1
7	LEFT ANGLE BRACKET	1
8	5/8-11 X 3.50 CARRIAGE BOLT	2
9	5/8 LOCK WASHER	2
10*	5/8 FLAT WASHER BLACK ZINC	2
11	5/8 -11 HEX NUT	2
12	1" SPACER TUBE	4
13	SPACER PLATE	4
14	1/2-13 UNC X 1.5 WHEEL BOLT	6
15	1/2 -13 LOCKNUT FLANGE SERRATED	6
16*	5/8" 11-UNC X 2.50 HEX BOLT BLACK ZINC	2
17*	1/2 LOCK WASHER	2
18	PULL WIRE	2

Center Bolt Kit 32059 must be used with Husky 26K Hitches, Rollers, Gliders and Goosenecks.

Use with bracket kit 31563.
Use with Base Rail Kit 30686 (10-Bolt) or 31323 (4-Bolt).

WARNING! Never exceed the towing capacity of the tow vehicle.

Items not marked (*) come from kit 31563, 4-Bolt Kit.

Tools Needed:

Sockets/Wrenches:

3/4", 7/8", 15/16"

Drill Bits:

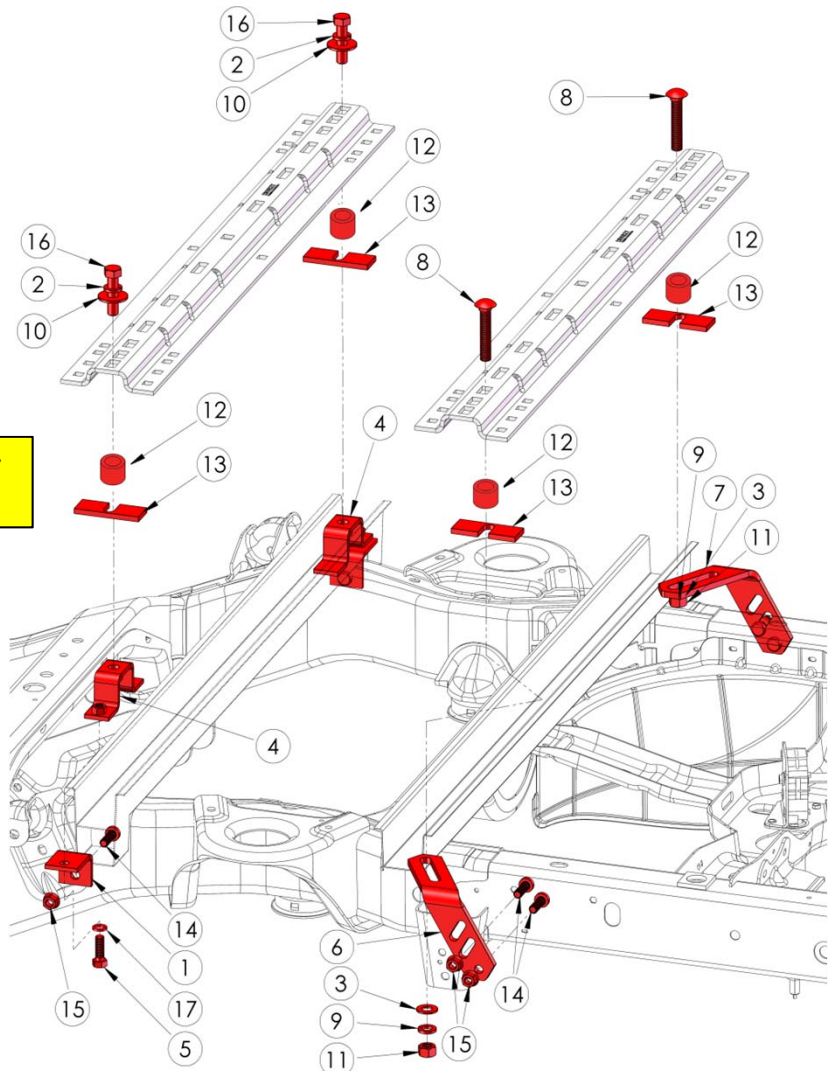
1/8", 17/32", 5/8", 1-1/8" Hole Saw.

Center Punch.

Tape Measure.

150 lbs-ft min. Torque Wrench.

WILL NOT WORK WITH 2013 MODELS WITH FACTORY INSTALLED AIR RIDE SYSTEM



Do not install mounting rails over plastic bed liners. Plastic bed liners must be cut out of the way to provide metal to metal contact. Mounting rails may be installed on spray in liners. Check with liner mfg's for cure time. Use only bolts nuts and washers supplied.

DO NOT INSTALL THIS PRODUCT ON OR ATTEMPT TO TOW WITH A TRUCK WITH A BED THAT IS LESS THAN 6' LONG.

These instructions are guidelines only, actual installation is the responsibility of the installer and the owner. Always measure truck and trailer before installing hitch to be sure that there is clearance at the cab and at the bumper to allow for turns.

Remove the spare tire; this helps to give more room to install the product. Remove the plastic fender wells.

Place the 5th wheel assembly in the bed of the vehicle. Center the rails from left to right on the floor of the truck bed and use your tape measure to locate the proper distance from the rear of the rail to the to the rear edge of the truck box.

Use a center punch to mark the holes in the rail. Use the outer holes in the front rail and the inner holes in the rear rail. Move the rails out of the way and drill each position through the bed with a 1/8" drill bit. **Note: On the driver's side of the vehicle the gas tank is located below the bed of the vehicle. When drilling holes through the bed be sure not to damage the fuel tank. Check to be sure that the 1/8" hole for the front rail is in the center of the hat channel.** Drill the holes out to 5/8".

Insert the formed bracket with the welded nuts into the front hat channel. To do this, it may be necessary to slightly bend the sheet metal that is over hanging the hat channel.

Install 5/8 x 3-1/2" hex head bolts with black zinc flat washers and lock washers through the forward rail and into the welded nut in the formed bracket.

Place the "L" bracket under the formed bracket and the hat channel. Install a 1/2" x 1-1/2" hex head bolt with lock washer into the welded nut.

Using the hole in the "L" bracket as a guide, drill a 17/32" hole into the frame. Using the 1/2" pull wire, pull a 1/2" rib neck bolt in through one of the access holes in the frame and into the hole in the "L" bracket. Install a 1/2" serrated flange nut on the bolt.

Place the 5th wheel uprights into the forward rail. Position the rear base rail with the support arches/slider/goose by inserting the tabs into the mounting rail and pushing the mounting rail tight towards the other mounting rail. Ensure that the mounting rail is centered on the bed of the vehicle. This will position the rail in the correct location and ensure that the 5th wheel will have a snug fit to the truck.

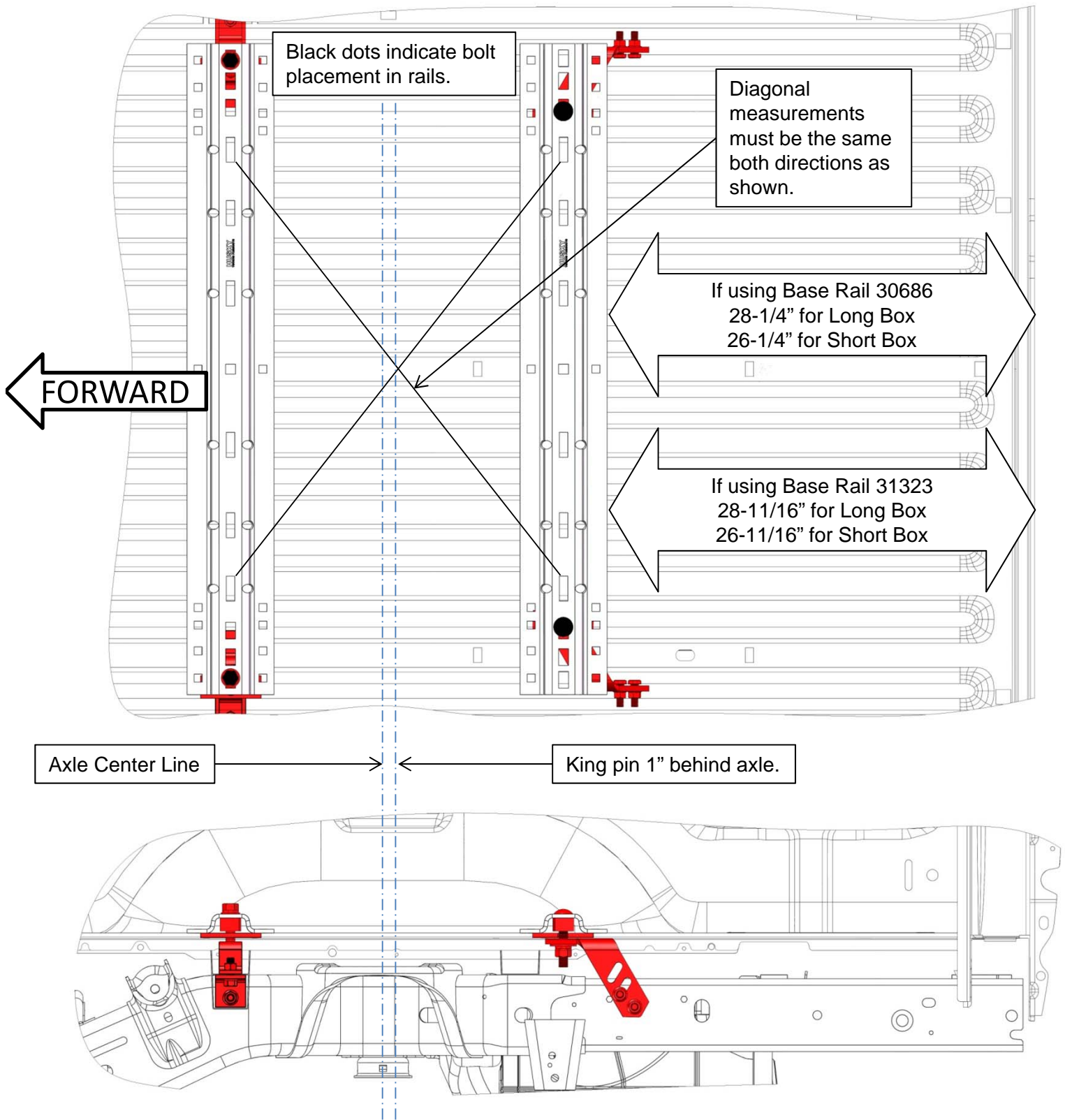
Use a center punch to mark the holes in the rear rail. Move the rail out of the way and drill each position with a 1/8" drill bit. Using the brackets from the 31563 rail kit, position them under the bed . Be sure the slot in the bracket aligns with the 1/8" hole. Drill the 1/8" hole out to 5/8".

Install 5/8" x 3-1/2" carriage bolts through the rear rail and into the bracket. install 5/8" flat washers and nuts. Snug up the nuts.

Push the rear brackets against the frame and drill the frame mounting holes through the brackets and install the bolts as described in the 31563 instructions.

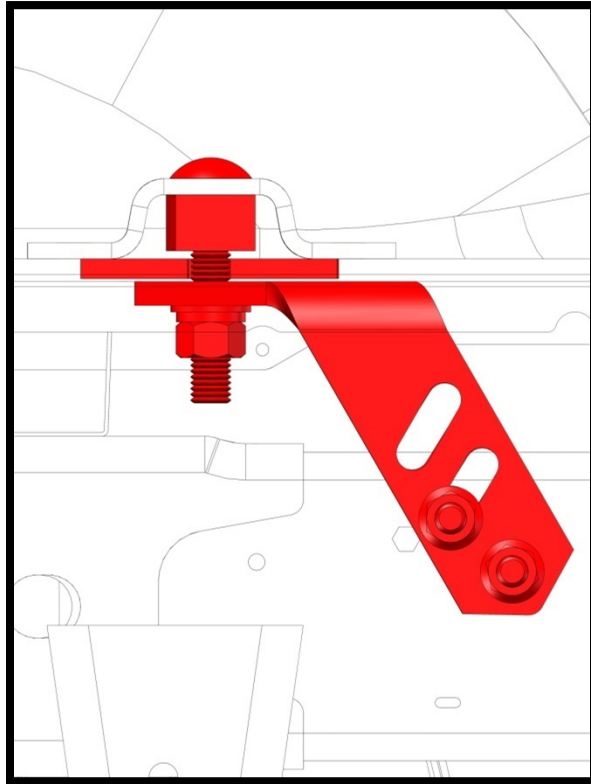
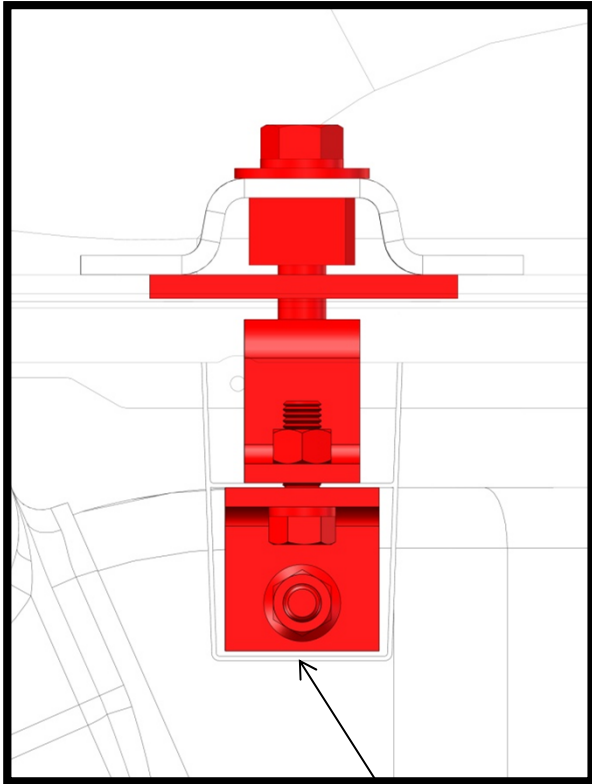
Starting with the bolts that fasten the rails to the frame brackets, torque all the nuts. Then torque the fasteners that attach the frame brackets to the vehicle frame. Torque the 5/8" fasteners to 150 (ft-lb.) 204 (N*M) Torque the 1/2" fasteners to 75 (ft lb.) 102 (N*M)

Re-install plastic fender liners.



← FORWARD

Close-up of Driver Side Brackets Installed.



If needed, the lower portion of this hat channel can be removed for easier installation of the "L" bracket and mounting hardware.

**#30665 CUSTOM BRACKET KIT,
DODGE RAM 1500,
QUAD/REG CAB**



HUSKY
TOWING PRODUCTS

WWW.HUSKYTOW.COM

Designed & tested in the USA & Made in China for /
Conçu et testé aux É.-U. et fabriqué en Chine DTS
Manufacturing, Wilsonville, OR 97070



P.O. #:



The date code for this product is located on the UPC label

Please retain this info for your records.

Warranty Terms:

5 Year Limited Warranty:

This warranty applies solely to Husky 5th Wheel Installation Kit manufactured by Keystone Automotive Operations Inc. for Husky Towing Products.

Husky Towing Products and Keystone Automotive Operations Inc. make no guarantees or warranties for products not manufactured by Keystone Automotive Operations Inc. Such products are covered solely under any applicable warranty of the manufacturer. It is always recommended that the operating instructions and guarantee instructions provided by the manufacturer are followed.

Keystone Automotive Operations Inc. warrants its products to be free from manufacturing and material defects to the original purchaser for the length of warranty stated above from the date of retail purchase. If any products are found to have a manufacturing or material defect, the product will be replaced or repaired at the option of Husky Towing Products and Keystone Automotive Operations Inc. with proof of purchase by the original purchaser. The original purchaser shall pay all transportation and shipping costs associated with the return of the defective product and the defective product shall become the property of Keystone Automotive Operations Inc.

The Warranty applies to Keystone Automotive Operations Inc. products used for individual and recreational purposes. Commercial usage of the Keystone Automotive Operations Inc. products limits the warranty to 90-days from date of purchase.

The Warranty applies only to Keystone Automotive Operations Inc. products which are found to be defective in manufacturing or material. This warranty does not apply to normal wear and tear of to the finished placed on Keystone Automotive Operations Inc. products.

Husky Towing Products and Keystone Automotive Operations Inc. are not responsible for any labor costs incurred for removal or replacement of the defective product.

Husky Towing Products and Keystone Automotive Operations Inc. are not responsible for repair or replacement of any product under the limited warranty where the product was improperly installed, misapplied, altered, abused, neglected, overloaded, misused or damaged as a result of an accident, including any use of the product not in accordance with all product operating and safety instructions.

Without limiting the generality of the foregoing, Husky Towing Products and Keystone Automotive Operations Inc. shall under no circumstances be liable for any incidental or consequential loss or damage whatsoever arising out of, or in any way relating to any such breach of warranty or claimed defect in, or non-performance of the products. Some states do not allow the exclusion or limitation of incidental or consequential damages, so the above exclusion or limitation may not apply to you.

This limited warranty gives you specific legal rights, and you may also have other rights that vary from state to state.