

ELECTRONICS

Configuring the Remote (260782)

1. Turn the remote on by pressing and releasing the large silver button at the bottom of the unit (Fig. 1A). Pressing this same button five times accesses the Configuration menu after the unit has been configured previously.
2. Press the "Config" button on the touch screen to begin configuring the remote (Fig. 2A). Using the arrow buttons at the bottom of the screen, navigate to the specific items the remote will control (Fig. 3). When the name of the item appears in the middle of the screen, press the large "Select" button.
3. Assign an item or "None" to each of the seven function spaces available. A Confirmation screen will appear on the screen (Fig. 4). Press "OK" to save the configuration or "Cancel" to edit the functions.

Syncing the Remote to the Receiver

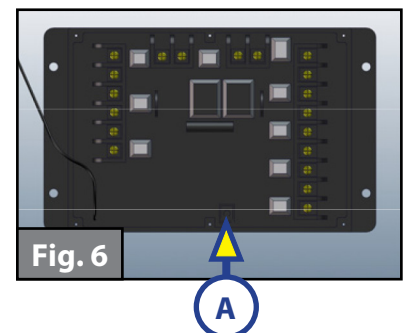
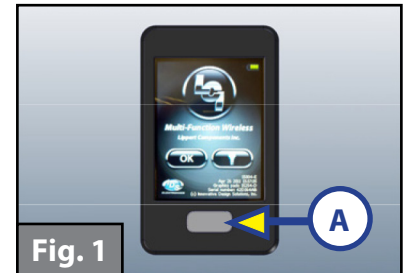
1. To begin syncing the remote to the receiver, both the receiver and the remote must have power (12V DC for the receiver and the battery in the remote must have a charge).
2. Push and hold the black button on the receiver (Fig. 6A). While the black button is depressed, push and release the "Light" button on the remote (Fig. 5A).

NOTE: If close enough to the receiver, an audible "click" can be heard verifying the receiver is programmed to the remote.

3. Release the black button on the receiver.

NOTE: To sync a second remote to the receiver, repeat Steps 2 and 3. Only sync two remotes per receiver.

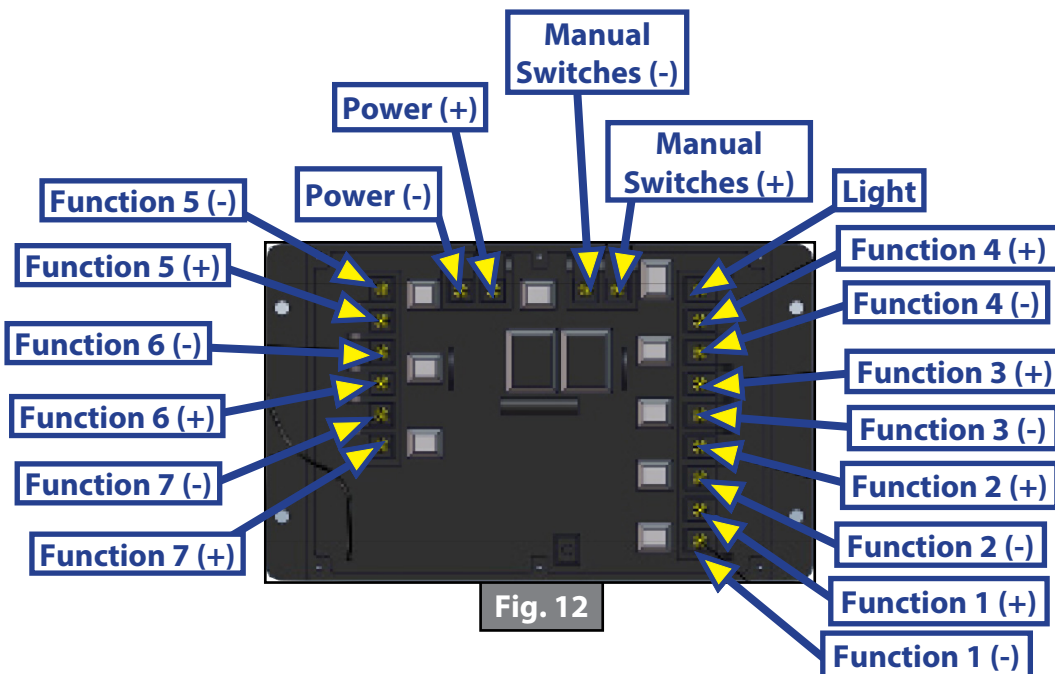
For wiring diagram, see [TI-091](#).



ELECTRONICS

Remote Operation Instructions

1. Turn the remote on by pressing and releasing the large silver button at the bottom of the unit (Fig. 1A; Pg. 1).
2. Press the "OK" button on the touch screen to access the Function Menu (Fig. 7A). The first page of the Function Menu has buttons for the security light and functions 1-3. Functions 4-7 are located on the second page of the menu and can be accessed by pressing on the "Next" button at the top of the screen (Fig. 8A). The function buttons correspond to the same names as the functions selected during configuration. Most screens will have left and right arrow buttons at the bottom of the screen. The left button will retract the slide or awning. The right button will extend the slide or awning. Press and hold either button until the item is fully retracted or extended. The icon at the top of the screen will animate to show the action (Figs. 9 & 10). Otherwise, the button will state its function (Fig. 11).
3. After the desired operations are complete, the remote can be powered down by pressing and holding the large silver button at the bottom of the unit or will automatically turn itself off after 2 minutes of non-use.



As a supplier of components to the RV industry, safety, education and customer satisfaction are our primary concerns. Should you have any questions, please do not hesitate to contact us at (574) 537-8900 or by email at customerservice@lci1.com. Self-help tips, technical documents, product videos and a training class schedule are available at www.lci1.com or by downloading the MyLCI app.