



Assembly, Installation, Operation and Maintenance Instructions

P/N: 32998

16KW/26KW CROSSMEMBER KIT

Dealer / Installer: Provide a copy of these Instructions to the end user of this product. These Instructions provide important operating and safety information for proper usage of this product. Demonstrate the proper use of the product with the end user. Have the end user demonstrate that they understand the proper use of the product.

End User: Read and follow all instructions included in this manual. Ask your Dealer / Installer for assistance if you do not understand the proper use of the product. Never remove any decals from the product.

WARNING! Never exceed the towing capacity of the tow vehicle.

Use only the supplied bolts, nuts, and washers to install this kit. All nuts and bolts are Grade 5 unless specified otherwise.

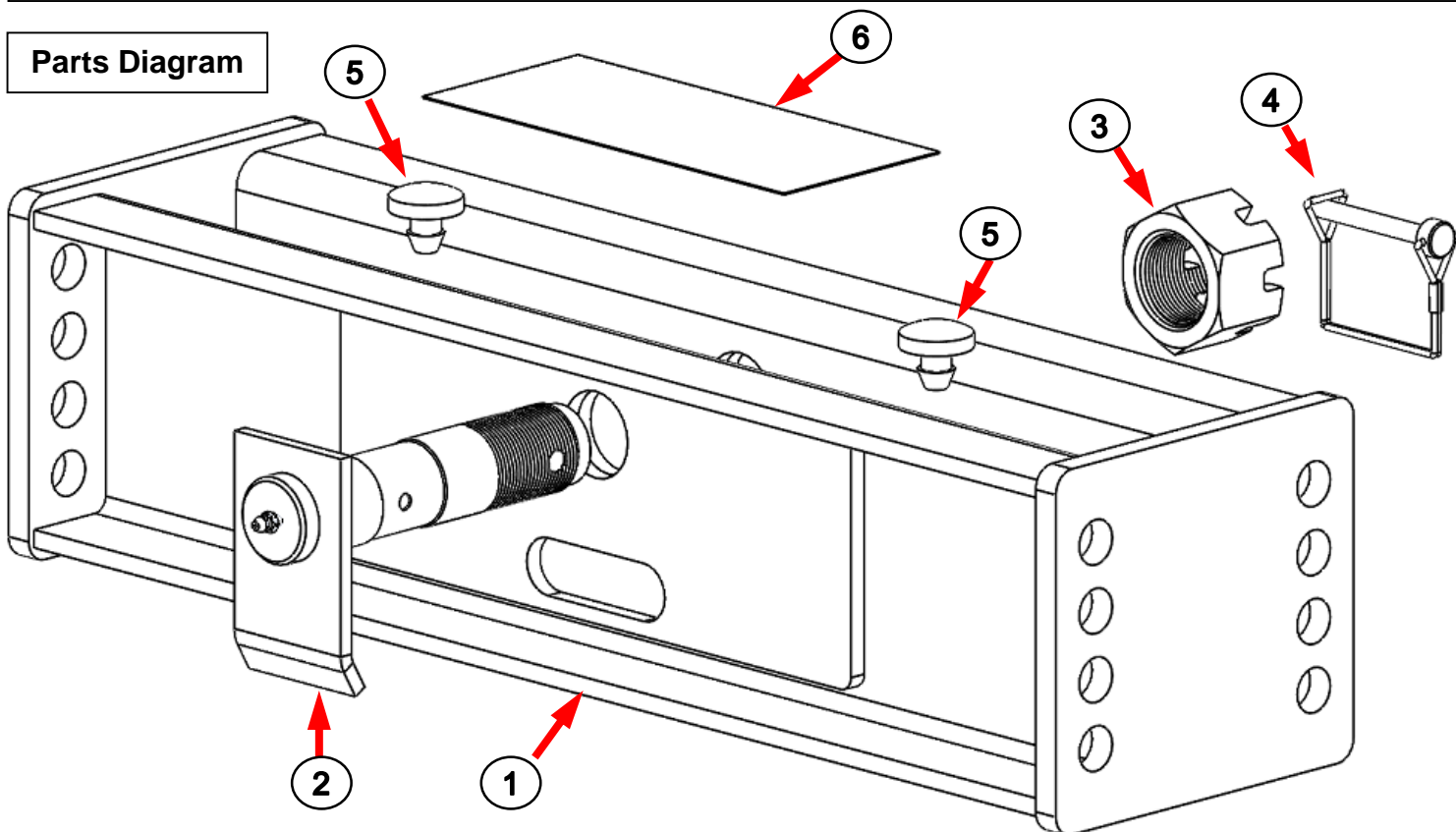
APPLICATION:

Ford F250/350 years 2011 to Current – vehicle must have OEM 5th wheel/Gooseneck Hitch Prep Package
Ram 2500 years 2014 to Current – vehicle must have OEM 5th wheel/Gooseneck Hitch Prep Package
Ram 3500 years 2013 to current – vehicle must have OEM 5th wheel/Gooseneck Hitch Prep Package
Chevrolet & GMC Silverado & Sierra 2500 & 3500 years 2016 to Current – vehicle must have OEM 5th wheel/Gooseneck Hitch Prep Package

This kit **REQUIRES** the purchase of the Husky 16KW Head & Yoke Kit (31569) or 26KW Head & Yoke Kit (31570) each **SOLD SEPARATELY**

This kit is to be used **ONLY** with Husky kits:
32997 (Ford OEM Uprights) & 33000 (Ram OEM Uprights) & 33118 (GM OEM Uprights)

Parts Diagram



TOOLS

9/16" Socket & Open End Wrench.

Adjustable Wrench; able to open to 2-1/4" or pipe wrench

1. The following instructions should be used to mount the fifth wheel. Care and attention to detail will ensure a quick quality installation. Check parts against parts list to become familiar with parts in kit.

PARTS LIST		
ITEM NO.	DESCRIPTION	QTY.
1	OEM 16KW / 26KW CROSSMEMBER	1
2	16KW / 26KW PIVOT PIN (31574)	1
3	1-1/2" – 12 CASTLE NUT (31574)	1
4	5/16" LOCKING SAFETY PIN (31574)	1
5	CROSSMEMBER BUMP STOP (31703)	2
6	INSTRUCTION	1

WARNING:

If the truck is raised, be sure that the truck is properly blocked and restrained to prevent the truck from falling. Failure to do so may result in the truck suddenly falling, causing death or serious injury.

CAUTION:

These instructions are guidelines only. Actual installation is the responsibility of the installer and the owner. Always measure truck and trailer before installing hitch to be sure that there is clearance at the cab and at the bumper to allow for turns.

WARNING

Failure to follow ALL of these instructions may result in death or serious injury

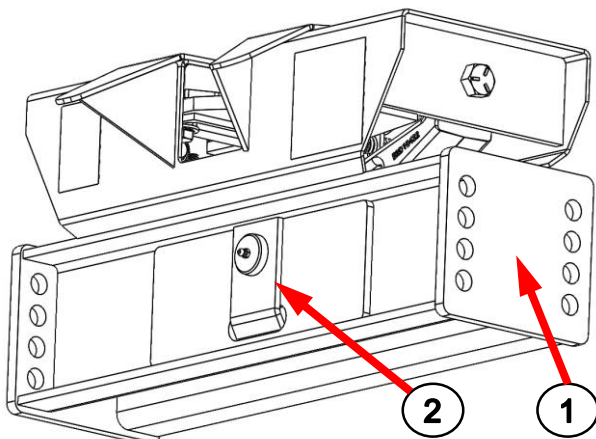
NOTICE

Husky recommends to always drive the king pin into the hitch throat and not drop the king pin from above into the hitch head to avoid incorrect hook-ups. Please read Operating Instruction to understand how this important Safety Feature operates.

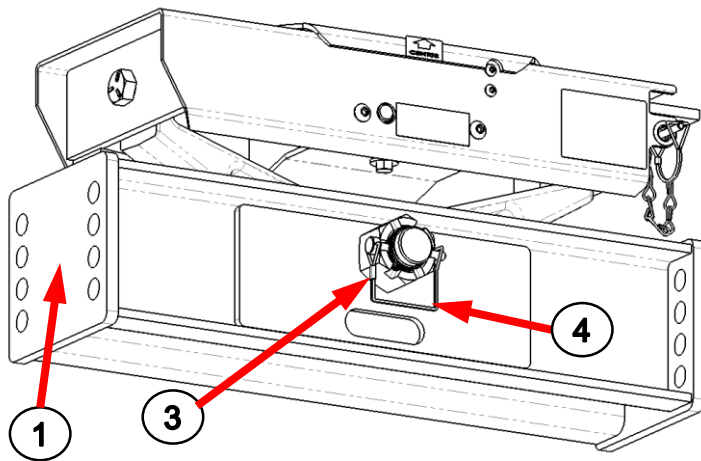
Before proceeding; you must install this cross member in this kit according to instructions listed in your upright instructions: 32997, 33000, or 33118.

2. Remove pivot pin (2), castle nut (3) & locking pin (4) from crossmember (1).
3. Install Head & Yoke into crossmember (1). **Note:** crossmember bump stops are installed in crossmember from the factory. Be sure they are completely seated and rotate.
4. Install pivot pin (2), castle nut (3) & locking pin (4) from crossmember (1). Tighten the castle nut until all the fore and aft movement is eliminated in the pivot pin and in the head and yoke assembly. This may require a 2-1/4" wrench or pipe wrench. Continue to tighten the castle nut until the safety pin can be inserted. Close the clip on the safety pin to secure the nut.

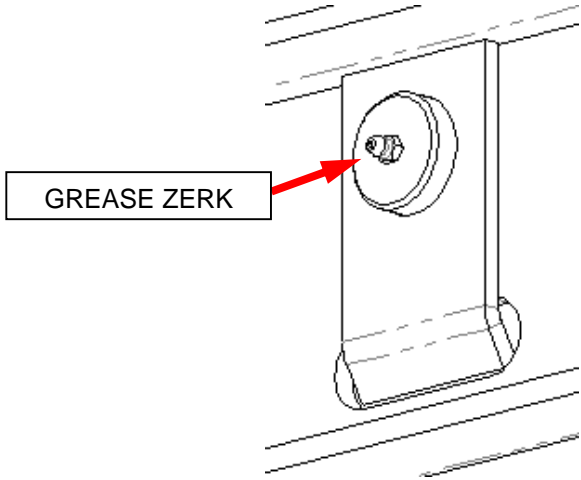
FRONT VIEW OF 5TH WHEEL HITCH



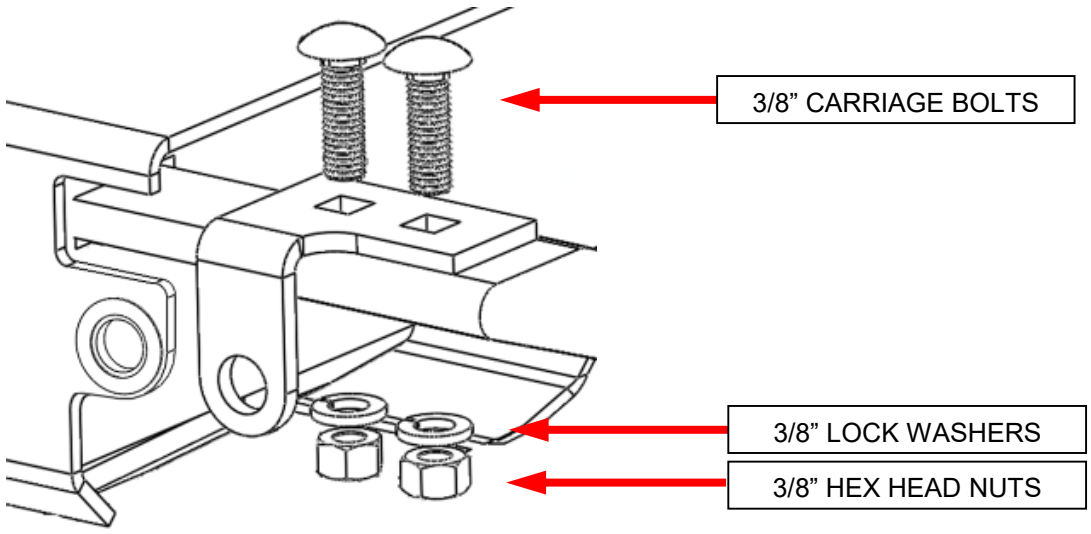
REAR VIEW OF 5TH WHEEL HITCH



5. Using a grease gun, grease Zerk fitting on plate side of pivot pin



6. Attach the handle with the 3/8" Carriage Bolts, lock washers and nuts from the 16KW or 26KW Head & Yoke kits. Torque the nuts to 23 ft-lbs. Ensure the padlock hasp points down as per the sketch.

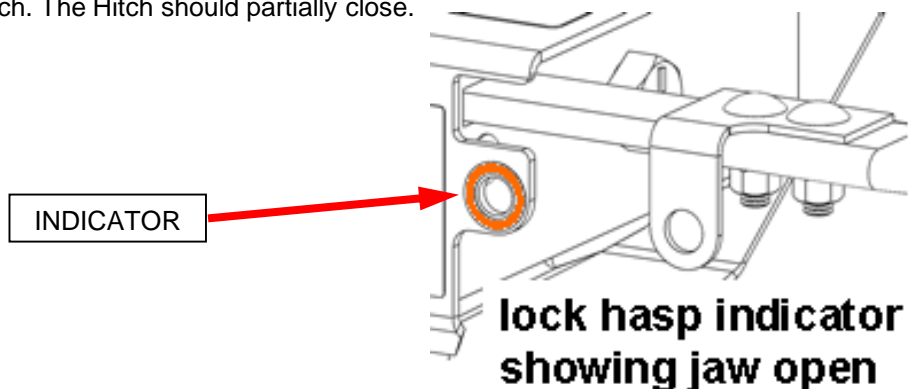


Understanding The Safety Features Of your New HUSKY 5th Wheel.

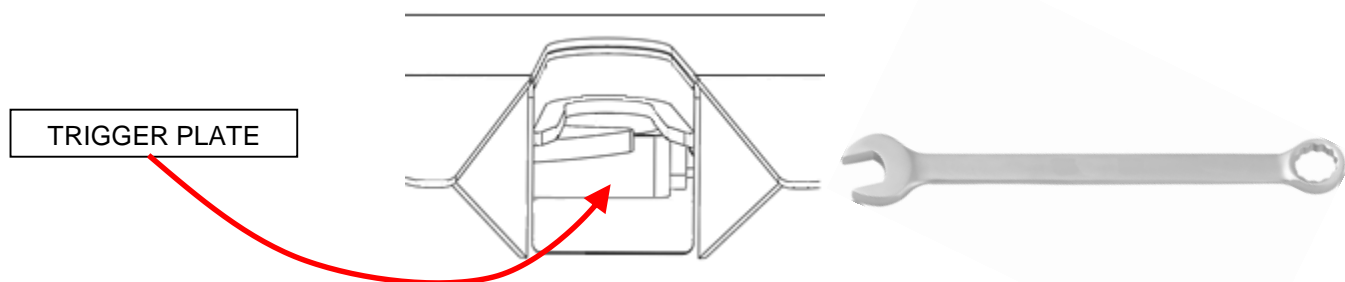
This Husky 5th Wheel Hitch has new features which add to the safety and ease of operation. The most important feature to understand is that the Hitch will only fully close when the King Pin of the 5th Wheel Trailer is located correctly inside the Hitch.

Before using this 5th Wheel Hitch for the first time, the Operator needs to understand the operation of the safety features of this Hitch.

Pull the Handle fully out, and then let it slide back while pushing it gently forward towards the cab of the truck to miss the latch. The Hitch should partially close.



Looking on the back of the Hitch, the indicator should be as shown in the sketch.



Using a WRENCH, (Keep fingers out of Jaw area) press on the Trigger Plate located underneath the Jaw. Pressing on the Trigger Plate will release the jaw mechanism and it will fully close. The Lock Hasp Indicator should now show that the Jaw is closed.

WARNING:

Always put the supplied Lock Pin through the handle and head assembly indicator when towing.

NEVER tow without the Lock Pin or a padlock in place. Handle may slide open and cause serious injury or death.

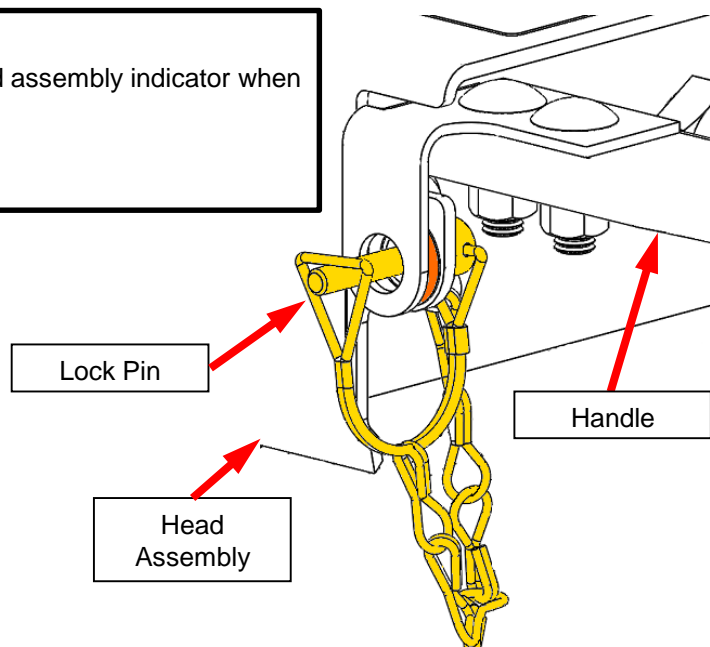


WARNING

CLOSING THE HITCH BY TRIPPING THE TRIGGER PLATE SHOULD ONLY BE DONE AS A TEST. IN NORMAL OPERATION LEAVE THE HITCH OPEN UNLESS IT IS COUPLED TO A TRAILER.

ALWAYS PULL HANDLE OUT TO ENSURE HITCH IS OPEN BEFORE COUPLING THE TRAILER.

After the test, pull on the handle all the way out to reset the Latch Mechanism



TOWING TIPS

Driving Tow Vehicle

Good habits for normal driving need extra emphasis when towing a trailer. The additional weight of the trailer affects acceleration and braking. Extra time should be allowed for passing, stopping and changing lanes. Signal well in advance of a maneuver to let other drivers know your intentions. Severe bumps and badly undulating roads can damage your towing vehicle, hitch and trailer, and should be negotiated at a slow, steady speed. If any part of your towing system “bottoms out” or if you suspect damage may have occurred in any other way, pull over and make a thorough inspection. Correct any problems before resuming travel.

Turning and backing up present new problems-plan ahead. It is highly recommended that a spotter be used when backing up to alert the driver of possible obstacles and prevent jack knifing the trailer.

Towing a trailer will change your turning radius, the longer the trailer the larger radius turn.

Driving Conditions

When driving in conditions where the pavement is wet, icy, snowy, loose gravel, grass and dirt, reduce speed and do not make any sudden maneuvers. Allow ample distance/time for stopping and changing lanes. If possible, wait for road conditions to improve before driving.

Follow all state, local and provincial driving and towing laws in the location you are driving in.

Not following your tow vehicle, trailer, and Husky instructions/manuals can result in a fatal accident.

Check Your Equipment

Please refer to the MAINTENANCE section. Periodically check the condition of all your towing equipment and keep it in top condition.

Tire Inflation

Unless specified otherwise by the towing vehicle or trailer manufacturer, tires should be inflated to their manufacturer’s towing recommendations.

Towing Vehicle and Trailer Manufacturers Recommendations

Review the owner’s manual for your towing vehicle and trailer for specific recommendations, capacities and requirements.

Passengers in Trailers

Trailers should not be occupied while being towed. Most states enforce this regulation.

Trailer Lights, Turn Signals, Electric Brakes

Always hook up all of the trailer lights, electric brakes and break-away switch connection whenever trailer is being towed. Also periodically check functionality of all lights before towing and repair any problems as needed.

Remove Hitch When Not Towing

Remove hitch from the towing vehicle when not towing a trailer to reduce chances of accidental damage and to reduce the chance of parts being stolen.

Maintenance

Keep movable hitch assembly parts (jaw, pivot pin, etc...) lubricated when not in use.

Remove 5th wheel hitch from receiver and store in clean, dry place when not in use.

At The Beginning of Every Towing Day:

If electric brakes are used ensure the emergency break away cable is attached to the tow vehicle.

Check to see that all electrical hook-ups are in working order and that the safety chains are securely connected.

Towing safely is the responsibility of the driver of the vehicle. Failure to tow safely can result in vehicle damage, bodily injury or death.

Warranty Terms:

10 Year Limited Warranty:

This warranty applies solely to Husky Crossmember Kit manufactured by LKQ Specialty Products Group for Husky Towing Products.

Husky Towing Products and LKQ Specialty Products Group make no guarantees or warranties for products not manufactured by LKQ Specialty Products Group. Such products are covered solely under any applicable warranty of the manufacturer. It is always recommended that the operating instructions and guarantee instructions provided by the manufacturer are followed.

LKQ Specialty Products Group warrants its products to be free from manufacturing and material defects to the original purchaser for the length of warranty stated above from the date of retail purchase. If any products are found to have a manufacturing or material defect, the product will be replaced or repaired at the option of Husky Towing Products and LKQ Specialty Products Group with proof of purchase by the original purchaser. The original purchaser shall pay all transportation and shipping costs associated with the return of the defective product and the defective product shall become the property of LKQ Specialty Products Group.

The Warranty applies to LKQ Specialty Products Group products used for individual and recreational purposes. Commercial usage of the LKQ Specialty Products Group products limits the warranty to 90-days from date of purchase.

The Warranty applies only to LKQ Specialty Products Group products which are found to be defective in manufacturing or material. This warranty does not apply to normal wear and tear of the finished product placed on LKQ Specialty Products Group products.

Husky Towing Products and LKQ Specialty Products Group are not responsible for any labor costs incurred for removal or replacement of the defective product.

Husky Towing Products and LKQ Specialty Products Group are not responsible for repair or replacement of any product under the limited warranty where the product was improperly installed, misapplied, altered, abused, neglected, overloaded, misused or damaged as a result of an accident, including any use of the product not in accordance with all product operating and safety instructions.

Without limiting the generality of the foregoing, Husky Towing Products and LKQ Specialty Products Group shall under no circumstances be liable for any incidental or consequential loss or damage whatsoever arising out of, or in any way relating to any such breach of warranty or claimed defect in, or non-performance of the products. Some states do not allow the exclusion or limitation of incidental or consequential damages, so the above exclusion or limitation may not apply to you.

This limited warranty gives you specific legal rights, and you may also have other rights that vary from state to state.