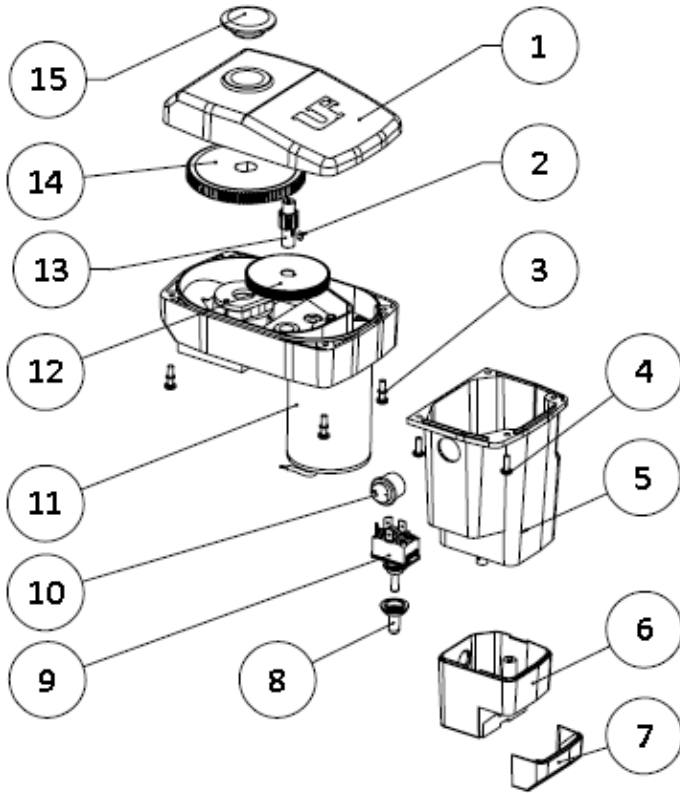




ULTRA 4002 ELECTRIC TONGUE JACK

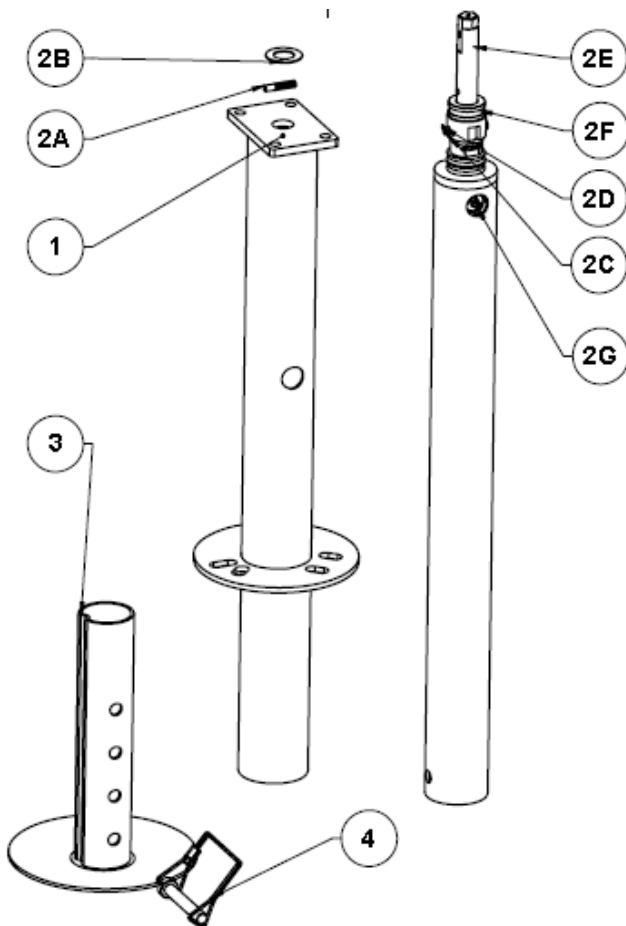
p/n 38-944016

MOTOR/GEAR ASSEMBLY



No.	Part No.	Description	Q'ty
1	38-752002	Gear Housing Cover	1
2	38-751154	Pinion Key 3x6	1
3	38-751070	Screw - PPH M4x16	4
4	38-751010	Screw - PPH M4x12	4
5	38-752005	Motor Housing	1
6	38-752004	Light Housing	1
7	38-752007	Light Lens	1
8	38-751039	Switch Boot	1
9	38-751037	Motor Switch - 250V 32A	1
10	38-751057	Light Switch - 125/250V 6A	1
11	38-752008	Motor 150W 12VDC	1
12	38-751118	Spur Gear 96T	1
13	38-751124	Pinion Gear 12T	1
14	38-751085	Main Gear 89T	1
15	38-751114	Rubber Plug	1

NOT SHOWN	Part No.	Description	Q'ty
	38-751167	Socket 9/16" / Manual Override	1
	38-751034	250V 30A Slow-Blow Fuse	1
	38-751035	Fuse Holder	1



LOWER STEM ASSEMBLY

No.	Part No.	Description	Q'ty
1	38-751102	2" Outer Tube	1
2(A-G)	38-751160	1.75" Inner Tube Assembly	1
2A	38-752018	Retaining Pin 5mm	1
2B	38-752019	Washer Spacer AS1730	1
2C	38-751138	Cotter Pin	1
2D	38-751127	Upper Pin	1
2E	38-751122	Collar Hex Head	1
2F	38-751121	Thrust Bearing	1
2G	17-753230	Grease Zerk 6-1.0mm	1
3	38-752020	Footpad Adjustable 2" (U4002)	1
4	38-141023	Wire Lock Pin	1

38-751170 Lower Stem Assembly (Includes #1 & #2)