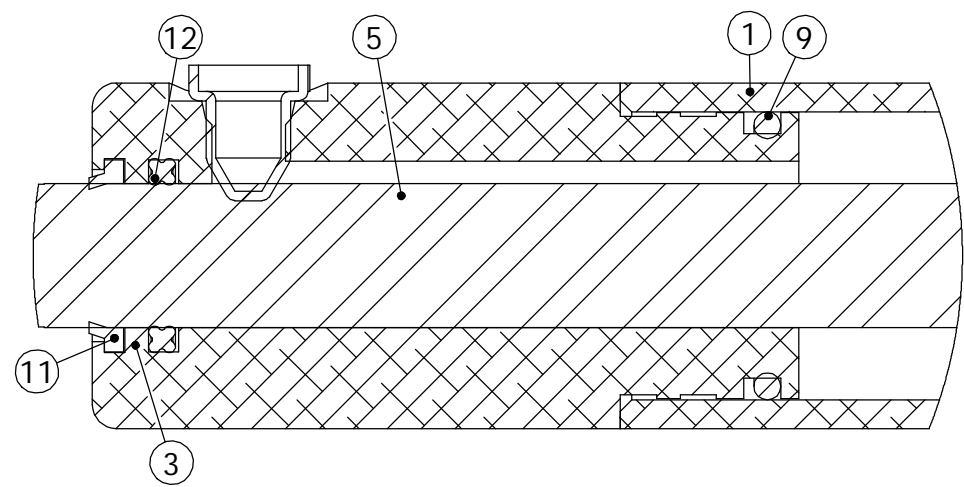
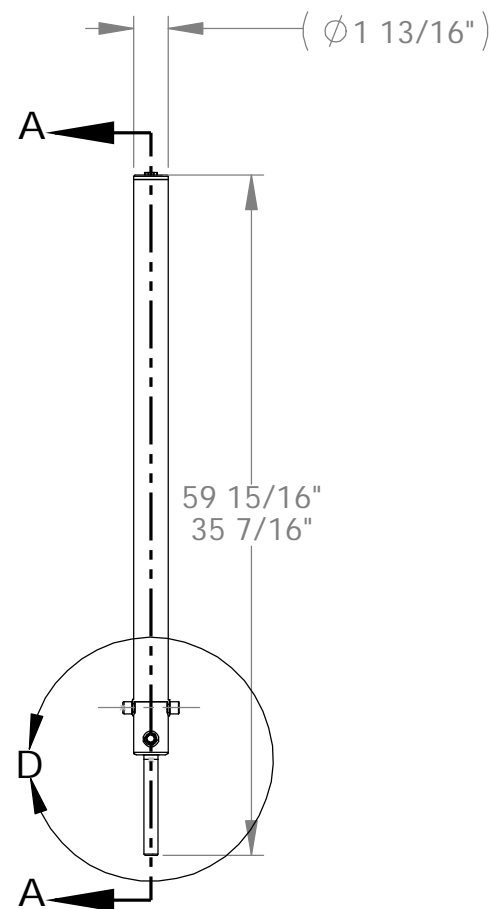
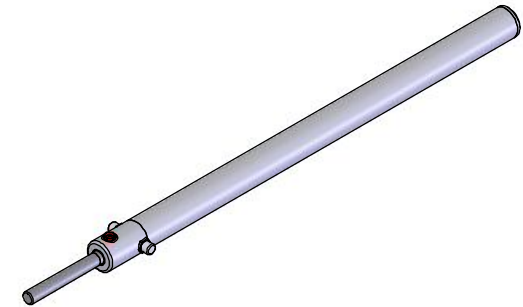
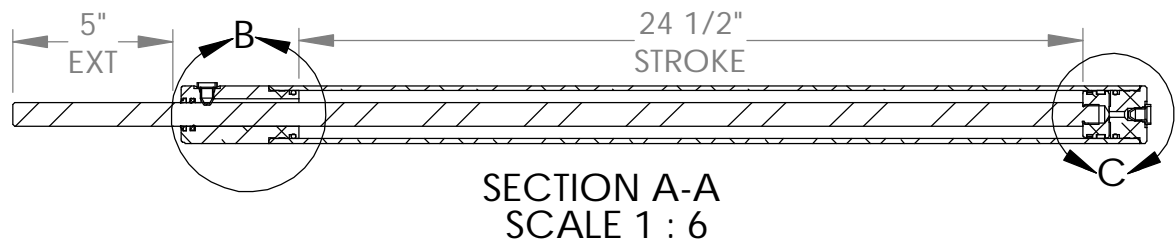


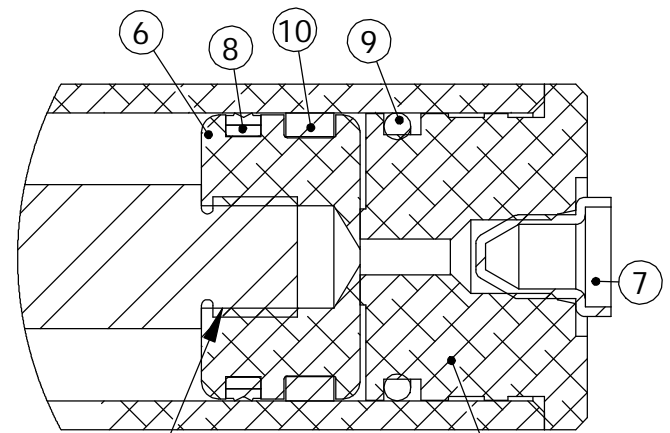
NOTES:

1. 3/4 - 10 NUTS REQUIRED
2. SAE #4 PORT FITTINGS REQUIRED
3. MAX CAPACITY: 4500 LBS
4. CAP/GLAND CRIMP RATING: 7500 PSI

REVISION HISTORY					
REV	DATE	DESCRIPTION	ECN	DWR	APVD
A	4/21/2016	RELEASED TO PRODUCTION	CA-0017510	RAW	RW

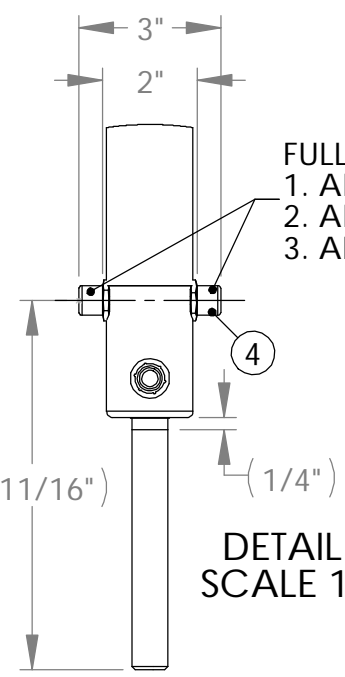


DETAIL B
SCALE 1 : 1



DETAIL C
SCALE 1 : 1

- FULLY COAT THREADS:
1. APPLY 7649 PRIMER
 2. APPLY 263 THREAD LOCK
 3. SCREW ON PISTON TIGHT WITHIN 1 MINUTE OF THREAD LOCK
 4. ALLOW THREAD LOCK TO CURE 12 HOURS PRIOR TO APPLYING HYDRAULIC FLUID



DETAIL D
SCALE 1 : 4

- FULLY COAT THREADS:
1. APPLY 7649 PRIMER
 2. APPLY 263 THREAD LOCK
 3. ALLOW FOR 12 HOUR CURE

ITEM	PART NO.	CONFIG	DESCRIPTION	NAME	GA	Default
1	42718727214	Default	ACTUATOR,BODY - 1 1/2" BORE, 27.214, BLACK	CYL		1
2	427168	Default	TRUNNION ACTUATOR, CAP - 1 1/2 BORE	CYL		1
3	427169	Default	TRUNNION ACTUATOR, GLAND - 1 1/2 BORE	CYL		1
4	427173	Default	5/8 TRUNNION PIN, 7/16-14 W/ 3/4 HEX - ALUM	CYL		2
5	42721133929	Default	ACTUATOR ROD - 3/4 O.D., 1 1/2 BORE, 33.929 - 5 EXT	CYL		1
6	339030	Default	ACTUATOR, PISTON - 1 1/2" BORE	HYD CYLINDER		1
7	239402	Default	PLUG; SAE-4	HYD FITTING		2
8	335510	Default	PISTON SEAL; 1.500 BORE	HYD FITTING		1
9	335511	Default	O-RING; 1.500 O.D. - .125	HYD FITTING		2
10	339032	Default	WEAR RING ; 1.500 BORE X 1.250 I.D., PISTON	HYD FITTING		1
11	339169	Default	WIPER RING; .750 ROD, AN TYPE - 959-05	HYD FITTING		1
12	339170	Default	X-RING; 1.000" OD - .750" ID; XR-210BN90	HYD FITTING		1

TITLE: **ALUMINUM HYDRAULIC TRUNNION ACTUATOR, 1 1/2 BORE-24 1/2 STROKE, 5 EXT**

UNLESS OTHERWISE SPECIFIED
 1. ALL DIMENSIONS ARE IN INCHES BREAK SHARP EDGES & DEBURR
 2. MATERIAL & FINISH TO BE AS NOTED OR SUBSTITUTED WITH AN APPROVED AND TESTED EQUIVALENT

FILLET R.015 FINISH 125

THIRD ANGLE PROJECTION

TOLERANCES (EXCEPT AS NOTED)
 DECIMAL .X ±.1
 .XX ±.03
 .XXX ±.005
 FRACTIONAL ±1/16
 ANGULAR ±1°

LIPPERT COMPONENTS

 2703 COLLEGE AVE. GOSHEN, IN 46528

THE INFORMATION CONTAINED IN THIS DRAWING IS THE SOLE PROPERTY OF LIPPERT COMPONENTS, INC. ANY REPRODUCTION IN PART OR AS A WHOLE WITHOUT THE WRITTEN PERMISSION OF LIPPERT COMPONENTS, INC. IS PROHIBITED.

DWG. NO. **425667** SIZE **B** DATE: **9/19/2013** REV. **A**
 SCALE: **1:10**

ENG **RAW** DWR **RAW** SHEET **1** OF **1**