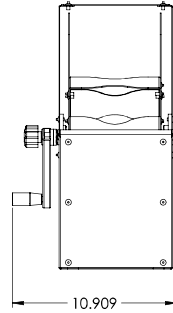
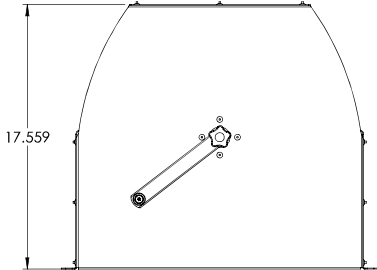
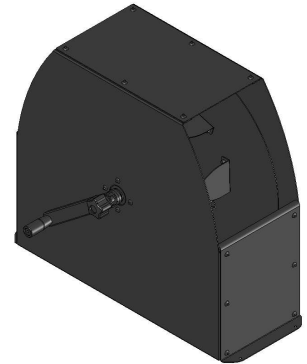
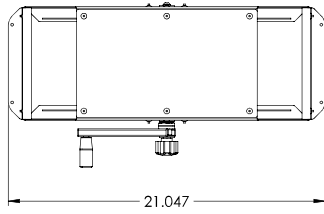


NOTES:  
1. MATTE BLACK FINISH

REVISION HISTORY		CA	DWR	APVD
REV	DATE	DESCRIPTION		
A	3/13/2017	RELEASED FOR PRODUCTION	DAL	SJE
B	6/13/2017	ADDED MATTE BLACK FINISH	CA-079413	KWL NP



**CORD SPOOLER 21.05 X 10.91 X 17.56**

REFERENCE NUMBER:	
MATERIAL TYPE:	
SURFACE QUALITY:	
DECIMAL:	
PRINT GOOD WEIGHT:	
BLANK WEIGHT:	
BLANK SIZE:	X

TOLERANCES (EXCEPT AS NOTED)	
DECIMAL	.X ±.1 .XX ±.03 .XXX ±.015
FRACTIONAL	1/16
ANGULAR	±1°



THE INFORMATION CONTAINED IN THIS DRAWING IS THE SOLE PROPERTY OF LIPPERT COMPONENTS, INC. ANY REPRODUCTION IN PART OR AS A WHOLE WITHOUT THE WRITTEN PERMISSION OF LIPPERT COMPONENTS, INC. IS PROHIBITED.			
DWG. NO.	SIZE	DATE	REV.
677582	B	3/13/2017	B
SCALE:	1:6		
DRAWN BY	CHECKED BY	APPROVED BY	SHEET
DAL	SJE		1 OF 1