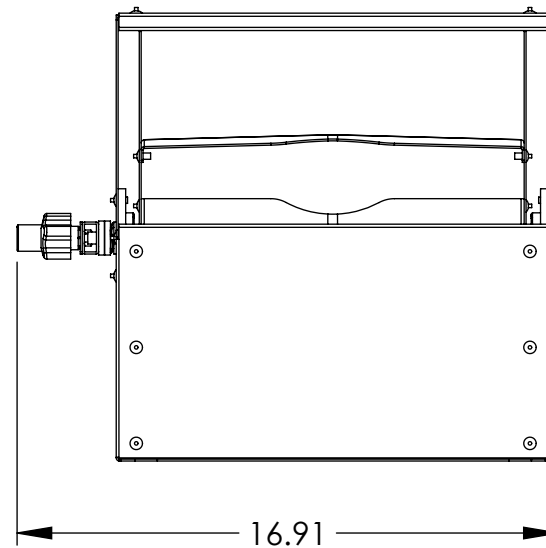
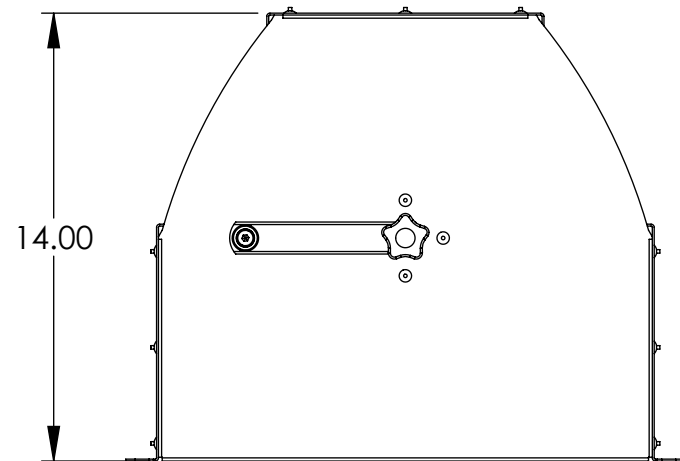
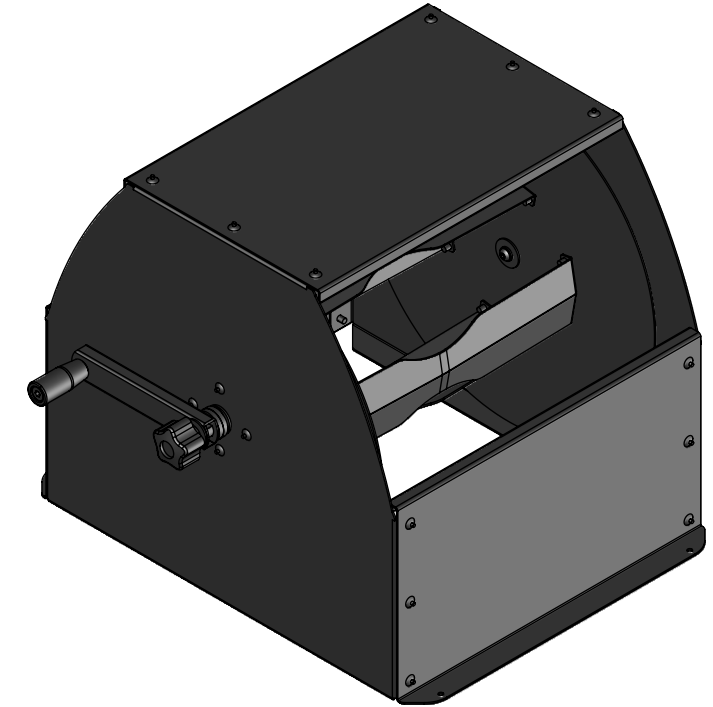
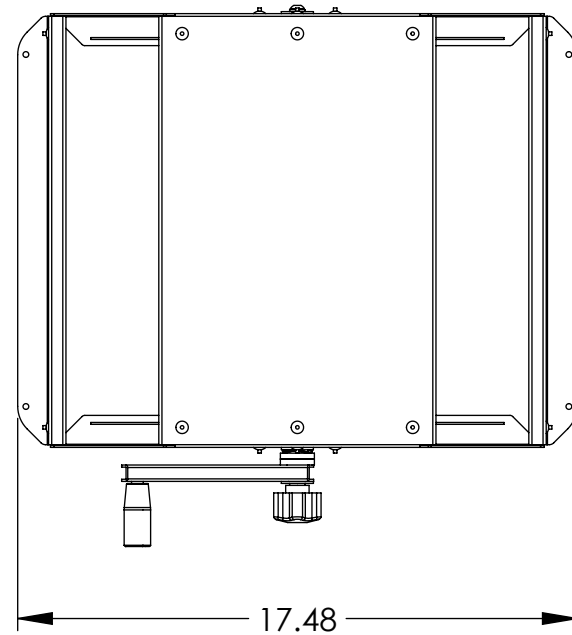


NOTES:

- 1. MATTE BLACK FINISH

REVISION HISTORY					
REV	DATE	DESCRIPTION	CA	DWR	APVD
A	3/13/2017	RELEASED FOR PRODUCTION	CA-0072317	DAL	SJE
B	6/13/2017	ADDED MATTE BLACK FINISH	CA-0079413	KWL	NP



TITLE: CORD SPOOLER 17.48 X 16.91 X 14.00

UNLESS OTHERWISE SPECIFIED
 1. ALL DIMENSIONS ARE IN INCHES
 2. BREAK SHARP EDGES & DEBURR
 3. MATERIAL & FINISH TO BE AS NOTED OR SUBSTITUTED WITH AN APPROVED AND TESTED EQUIVALENT

TOLERANCES (EXCEPT AS NOTED)
 DECIMAL .X ±.1
 .XX ±.03
 .XXX ±.015



THE INFORMATION CONTAINED IN THIS DRAWING IS THE SOLE PROPERTY OF LIPPERT COMPONENTS, INC. ANY REPRODUCTION IN PART OR AS A WHOLE WITHOUT THE WRITTEN PERMISSION OF LIPPERT COMPONENTS, INC. IS PROHIBITED.

REFERENCE NUMBER:	
MATERIAL TYPE:	
SURFACE QUALITY:	
DECIMAL:	
FINISH GOOD WEIGHT:	
BLANK WEIGHT:	
BLANK SIZE:	

FILLETS R.015 FINISH ✓
 THIRD ANGLE PROJECTION

FRACTIONAL ±1/16
 ANGULAR ±1°

DWG. NO.	SIZE	DATE:	REV.
677583	B	3/13/2017	B
SCALE:		1:6	
DRAWN BY	CHECKED BY	APPROVED BY	SHEET
DAL	SJE		1 OF 1