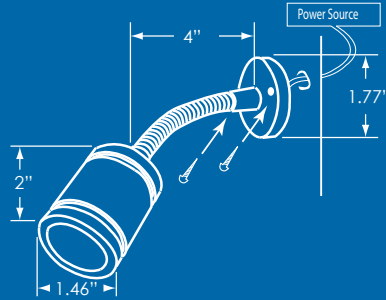




CAUTION: TURN OFF ALL POWER AT THE SOURCE TO AVOID INJURY

Installation Instructions:

1. Drill 1/2" hole for wires where light will be installed.
2. Attach wires to power source. LEDs are polarity sensitive and will not light if not attached properly - (black = positive) (white = neutral)
3. Install screws (included) into light base.



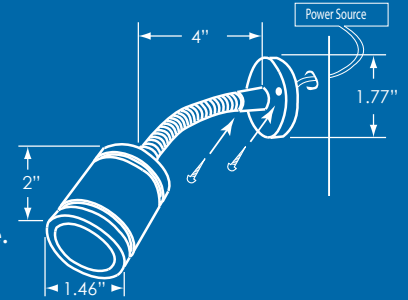
Wattage	Voltage	Amp Draw	Lumens	Kelvin
2.17	10-14V	0.16 @ 13.6V	86	3,000 K



CAUTION: TURN OFF ALL POWER AT THE SOURCE TO AVOID INJURY

Installation Instructions:

1. Drill 1/2" hole for wires where light will be installed.
2. Attach wires to power source. LEDs are polarity sensitive and will not light if not attached properly - (black = positive) (white = neutral)
3. Install screws (included) into light base.



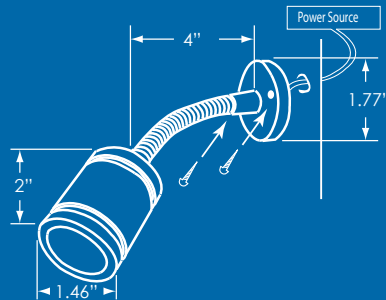
Wattage	Voltage	Amp Draw	Lumens	Kelvin
2.17	10-14V	0.16 @ 13.6V	86	3,000 K



CAUTION: TURN OFF ALL POWER AT THE SOURCE TO AVOID INJURY

Installation Instructions:

1. Drill 1/2" hole for wires where light will be installed.
2. Attach wires to power source. LEDs are polarity sensitive and will not light if not attached properly - (black = positive) (white = neutral)
3. Install screws (included) into light base.



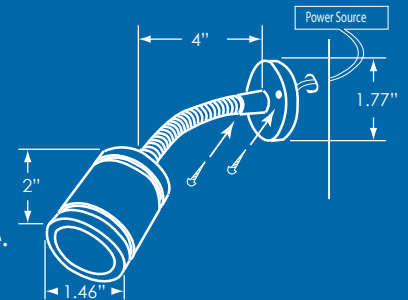
Wattage	Voltage	Amp Draw	Lumens	Kelvin
2.17	10-14V	0.16 @ 13.6V	86	3,000 K



CAUTION: TURN OFF ALL POWER AT THE SOURCE TO AVOID INJURY

Installation Instructions:

1. Drill 1/2" hole for wires where light will be installed.
2. Attach wires to power source. LEDs are polarity sensitive and will not light if not attached properly - (black = positive) (white = neutral)
3. Install screws (included) into light base.



Wattage	Voltage	Amp Draw	Lumens	Kelvin
2.17	10-14V	0.16 @ 13.6V	86	3,000 K