



LIPPERT  
COMPONENTS®

# Solid Step®



## SolidStep® Entry Assist Handrail

### Installation and Owner's Manual

(For Aftermarket Applications)

## Table of Contents

Purchase Verification .....	2
Introduction .....	2
Safety .....	3
Parts List .....	3
Resources Required .....	4
Installation .....	4
Operation .....	7
Notes .....	8

### SolidStep® Entry Assist Handrail Aftermarket Kit

Part #	Description
799640	SolidStep® Entry Assist Handrail

**NOTE:** The SolidStep® Entry Assist Handrail is compatible with triple and quad SolidStep® 3.0 only.



**LIPPERT**  
COMPONENTS®

# SolidStep® Entry Assist Handrail

## Installation and Owner's Manual

(For Aftermarket Applications)

### Purchase Verification

The SolidStep Entry Assist Handrail will ONLY work with triple and quad SolidStep 3.0 (Fig.1). The SolidStep Entry Assist Handrail will NOT work with double SolidStep 3.0 or with previous versions of SolidStep - including SolidStep Gen 2 (Fig.2). The SolidStep Entry Assist Handrail will not work with any other LCI step or any other brand of step.

**NOTE:** SolidStep 3.0 has solid side rails (Fig. 1). SolidStep 2.0 has open side rails (Fig.2).

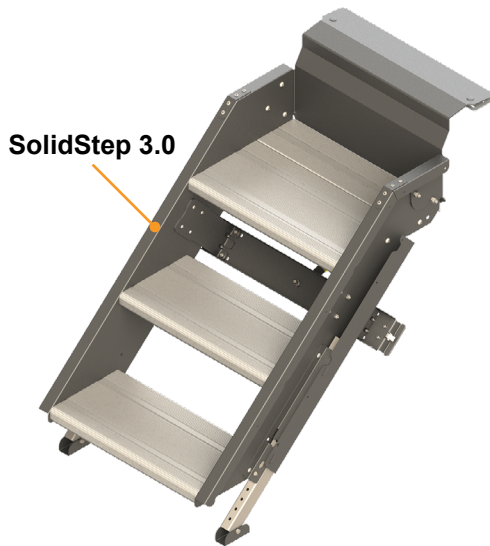


Fig.1



Fig.2

### Introduction

The SolidStep Entry Assist Handrail mounts securely to the inside of the step. The Entry Assist Handrail can be mounted on the left or right side of the step, depending on whether the door hinge is installed to the left doorjamb or right doorjamb. An additional installation of a backer plate to the outside of the steps gives added support and stabilization. The Entry Assist Handrail can be easily removed or left in place when storing if clearance allows inside the trailer. The Entry Assist Handrail is height adjustable to maximize comfort and ensure that larger doors don't strike the Entry Assist Handrail while being opened or closed.

Additional information about this product can be obtained from [lci1.com/support](http://lci1.com/support) or by using the myLCI app. Replacement kits can be ordered from <https://store.lci1.com/> or by using the myLCI app.

The myLCI app is available for free on iTunes® for iPhone® and iPad® and also on Google Play™ for Android™ users.

iTunes®, iPhone®, and iPad® are registered trademarks of Apple Inc.

Google Play™ and Android™ are trademarks of Google Inc.



# SolidStep® Entry Assist Handrail

## Installation and Owner's Manual

(For Aftermarket Applications)

### Safety

Read and fully understand all instructions before installing or operating this product. Adhere to all safety labels.

#### ⚠️ WARNING

FAILURE TO FOLLOW THE INSTRUCTIONS PROVIDED IN THIS MANUAL MAY RESULT IN DEATH, SERIOUS INJURY, TRAILER DAMAGE OR VOIDING OF THE COMPONENT WARRANTY.

#### ⚠️ CAUTION

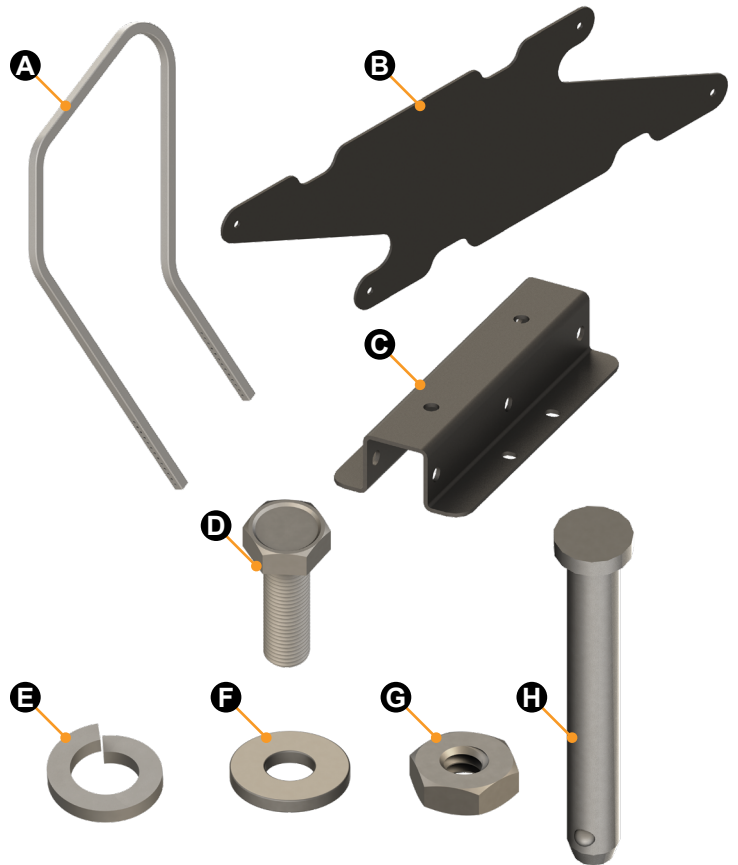
ALWAYS WEAR EYE PROTECTION WHEN PERFORMING SERVICE OR MAINTENANCE TO THE TRAILER. OTHER SAFETY EQUIPMENT TO CONSIDER WOULD BE HEARING PROTECTION, GLOVES AND POSSIBLY A FULL FACE SHIELD, DEPENDING ON THE NATURE OF THE SERVICE.

#### ⚠️ CAUTION

MOVING PARTS CAN PINCH, CRUSH OR CUT. KEEP CLEAR AND USE CAUTION.

### Parts List

**NOTE:** Part numbers are shown for identification purposes only. Not all parts are available for individual sale. All parts with a link to the Lippert Store can be purchased.



Letter	PN	Description	Qty
A	773556	Entry Assist Handrail	1
B	773558	Backer Plate	1
C	773553	Mounting Bracket	2
D	773557	Bolt, #10 - 24 x 5/8"	12
E	383612	Lock Washer, #10 x 0.34"	12
F	231161	Flat Washer, #10	12
G	383610	Nut, #10 - 24	12
H	645114	Clevis Pin, 2.00" x 0.25"	4



# SolidStep® Entry Assist Handrail

## Installation and Owner's Manual

(For Aftermarket Applications)

## Resources Required

- Cordless or electric drill or screw gun
- 13/64" (.203") drill bit
- 3/8" socket bit or wrench
- 5/16" socket bit or wrench
- 1/8" Hex key
- Center punch (optional)
- Clamps (optional)
- Non-permanent method of marking

## Installation

If the trailer has a right-hand hinged door (Fig.3A), install the Solidstep Entry Assist Handrail on the left side of the steps (Fig.3B). If the trailer has a left-hand hinged door, install the Solidstep Entry Assist Handrail on the right side of the steps.

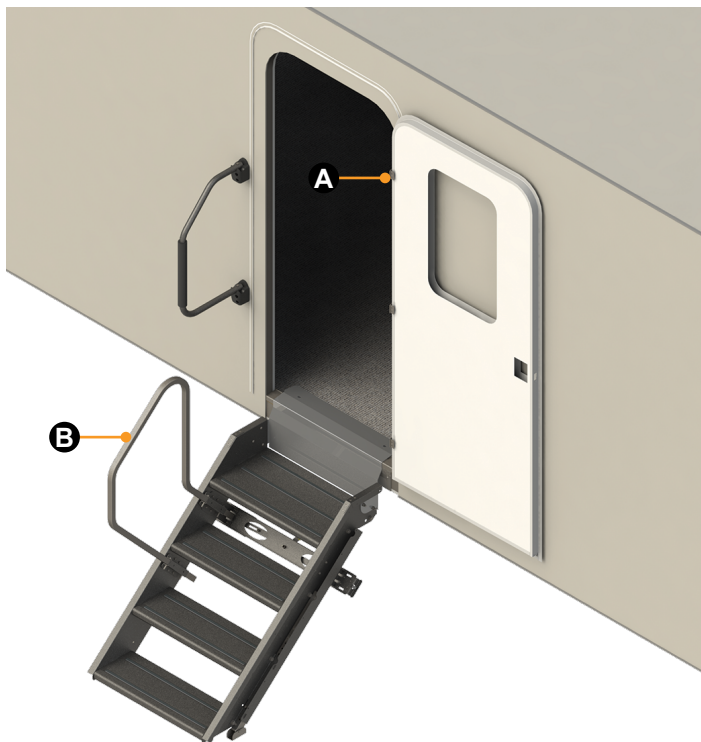


Fig.3

1. Make sure that the trailer is on level ground.
2. Extend the steps in the down position (Fig.1).
3. On the side of the step that the Entry Assist Handrail will be installed, remove the hardware from the latch bracket (Fig.4A). Remove the four buttonhead hex socket bolts (Fig.4B), using a 1/8" hex key. Remove the washers and four #10-24 nylon locking nuts holding the latch bracket to the step with a 3/8" socket bit or wrench.
4. Discard the old hardware after installation, new hardware is provided.

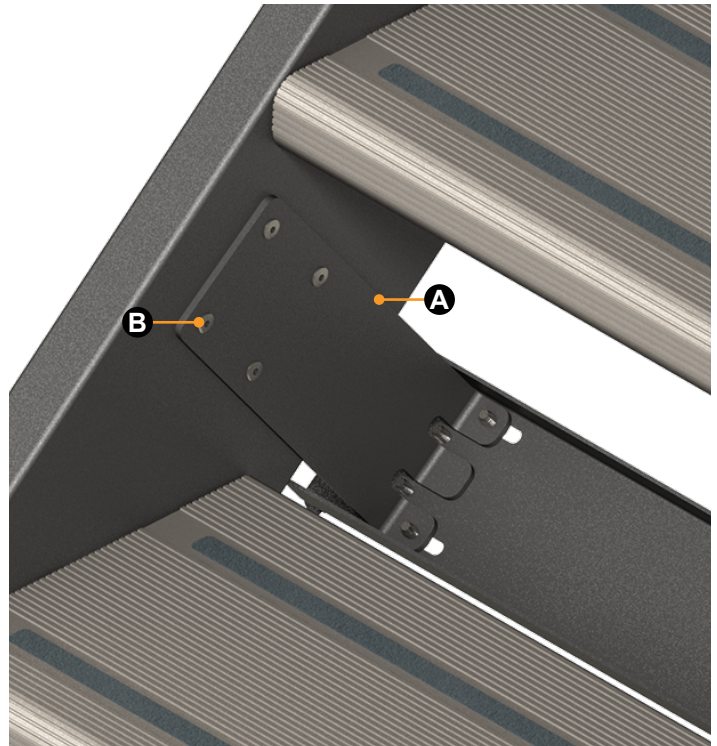


Fig.4





## SolidStep® Entry Assist Handrail Installation and Owner's Manual (For Aftermarket Applications)

5. Align the latch bracket holes with the holes in the side of the step. Place one of the mounting brackets (Fig.5A) over the latch bracket (Fig.5B) aligning the holes in the mounting bracket with the holes in the latch bracket. Make sure the four step holes, latch bracket holes and mounting bracket holes are all aligned.

6. Install one #10 x 0.34", lock washer (Fig.5C) onto one #10 - 24 x 5/8" bolt (Fig.5D) and insert through the mounting brackets and into the side of the step.

7. Insert one #10 flat washer (Fig.6A) and a #10 - 24 nut (Fig.6B) on the backside of the bolt and tighten.

8. Repeat steps 6 and 7 for the remaining three holes.

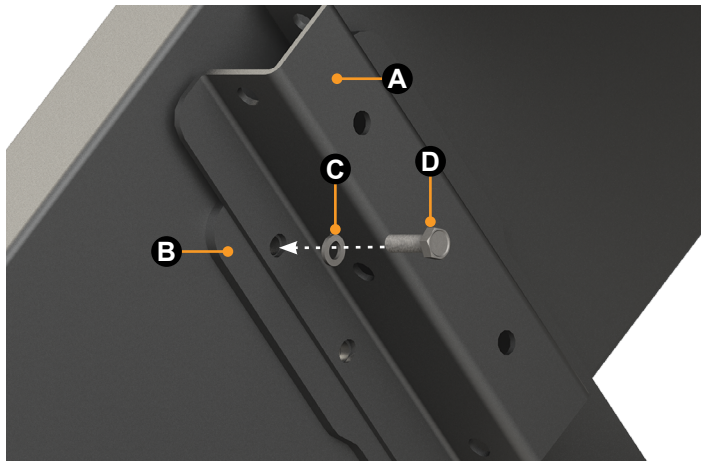


Fig.5

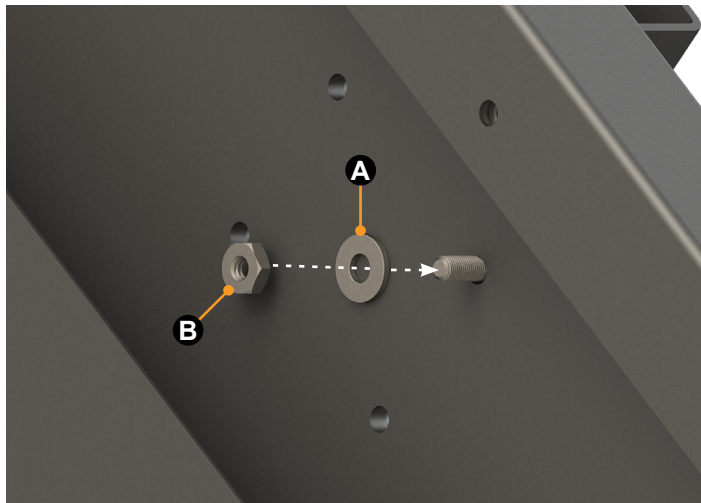


Fig.6

9. Insert the appropriate end of the Entry Assist Handrail into the mounting bracket, see (Fig.3) for reference.

10. Insert two clevis pins into the top mounting bracket (Fig.7A) to temporarily hold the Entry Assist Handrail in the desired position.

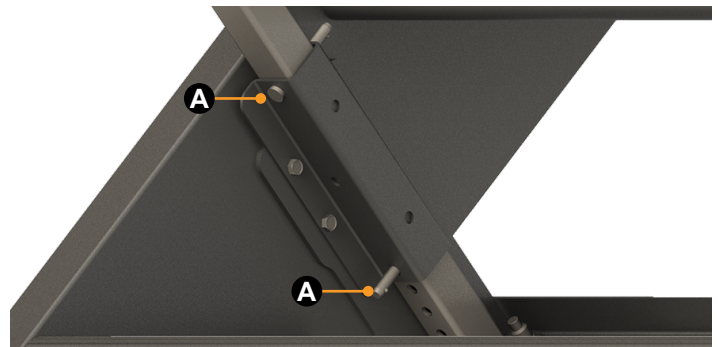


Fig.7

11. Slide the other mounting bracket (Fig.8A) onto the lower end of the Entry Assist Handrail (Fig.8B) and place against the inside of the step rail (Fig.8C). Center the bottom mounting bracket against the inside of the step rail to be aligned with the top mounting bracket.

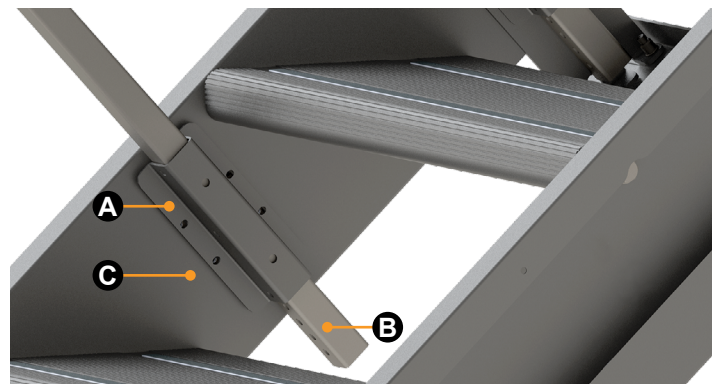


Fig.8

12. Insert two clevis pins into the bottom mounting bracket to temporarily hold the bottom mounting bracket in the desired position (Fig.9A).

13. Mark the hole locations on the inside rail of the step (Fig.9B) with a non-permanent method of marking or a center punch.



## SolidStep® Entry Assist Handrail Installation and Owner's Manual (For Aftermarket Applications)

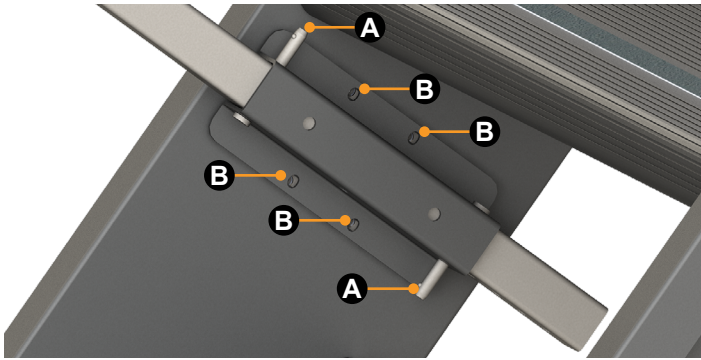


Fig.9

**NOTE:** Optionally use a clamp to secure the mounting bracket in place and drill all four holes (Fig.9B) using the bracket as a drill template. Skip steps 14 - 16. Continue with step 17. If this is not a viable option and proceed with step 14.

14. Remove the bottom mounting bracket, clevis pins and the Entry Assist Handrail from top mounting bracket and set aside.

15. Drill the four hole locations in the side of the step using a  $\frac{13}{64}$ " drill bit.

16. Align mounting bracket holes with the previously drilled holes in step 15.

17. Install one #10 x 0.34", lock washer onto one #10 - 24 x  $\frac{5}{8}$ " bolt and insert through the mounting bracket and into the side of the step (Fig.5).

18. Insert one #10 flat washer and a #10 - 24 nut on the backside of the bolt and tighten (Fig.6).

19. Repeat steps 17 and 18 for the remaining three holes.

**NOTE:** Remove any clamps if they were used to hold the mounting bracket in place.

20. Insert the Entry Assist Handrail into the mounting brackets at the appropriate height. Open the door of the unit and make sure the door does not hit the handrail. If the door hits the handrail the handrail is too low. The higher the handrail is, the farther away the handrail will be from the door. If already inserted, remove the clevis pins in the top and bottom mounting brackets, raise the handrail and reinsert the clevis pins. Open the door once more to make sure the door does not hit the handrail.

21. Make sure the clevis pins are facing the correct direction. Insert a clevis pin, facing bottom to top (Fig.10A), in the top mounting bracket hole, in both mounting brackets.

22. Insert a clevis pin, facing top to bottom (Fig.10B), in the bottom mounting bracket hole, in both mounting brackets.

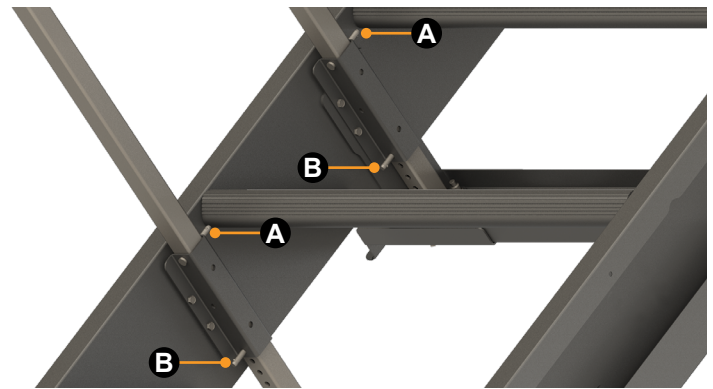


Fig.10

23. Locate the four predrilled holes on the outside side of the steps located on the same side as the installed Entry Assist Handrail, that match the locations of the holes in the backer plate.

24. There may be more than four pre-drilled holes but only four are needed for the backer plate installation.

25. Align the backer plate with the predrilled holes in the steps (Fig.11).

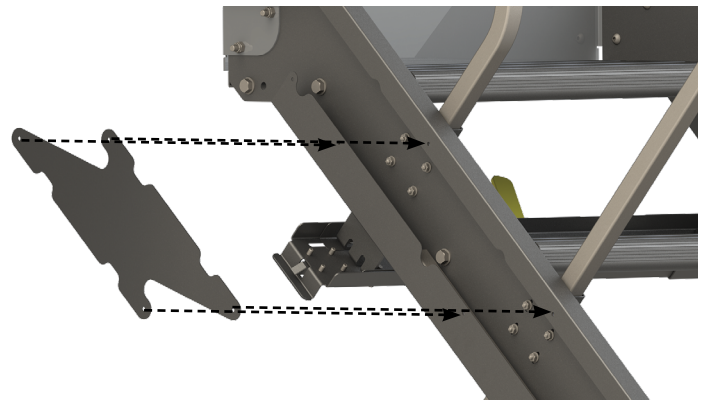


Fig.11



# SolidStep® Entry Assist Handrail

## Installation and Owner's Manual

(For Aftermarket Applications)

26. Install one #10 x 0.34", lock washer (Fig.12B) onto one
27. #10 - 24 x 5/8" bolt (Fig.12A) and insert through the backer plate (Fig.12C) and into the side of the step (Fig.12D).
28. Insert one #10 flat washer (Fig.12E) and a #10 - 24 nut (Fig.12F) on the backside of the bolt and tighten.

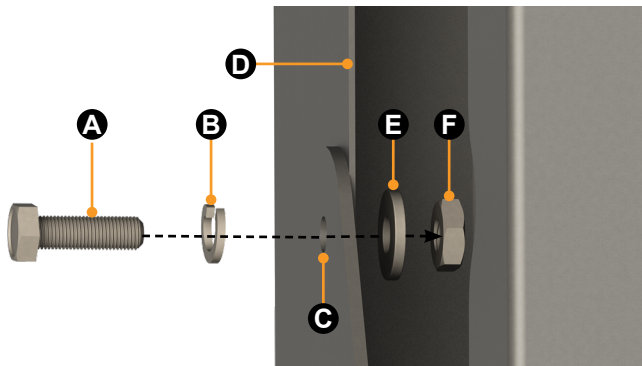


Fig.12

29. Repeat steps 25 and 26 for the remaining three holes. Figure 13A shows all four hardware locations completed.

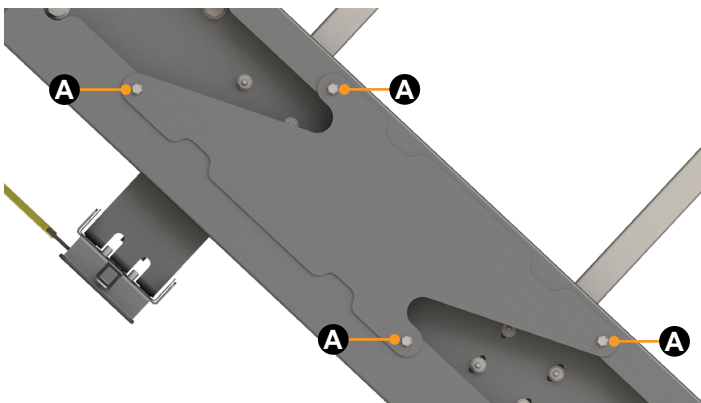


Fig.13

## Operation

The steps can be stowed in the doorframe without removing the Entry Assist Handrail on most trailers.

1. For trailers with an obstacle in the way of the Entry Assist Handrail, the Entry Assist Handrail (Fig.14A) can be quickly removed by removing the four clevis pins (Fig.14B) that secure the Entry Assist Handrail to the mounting brackets.
2. Next, pull the Entry Assist Handrail up and out of the brackets.
3. Stow the Entry Assist Handrail and four clevis pins in a secure location.

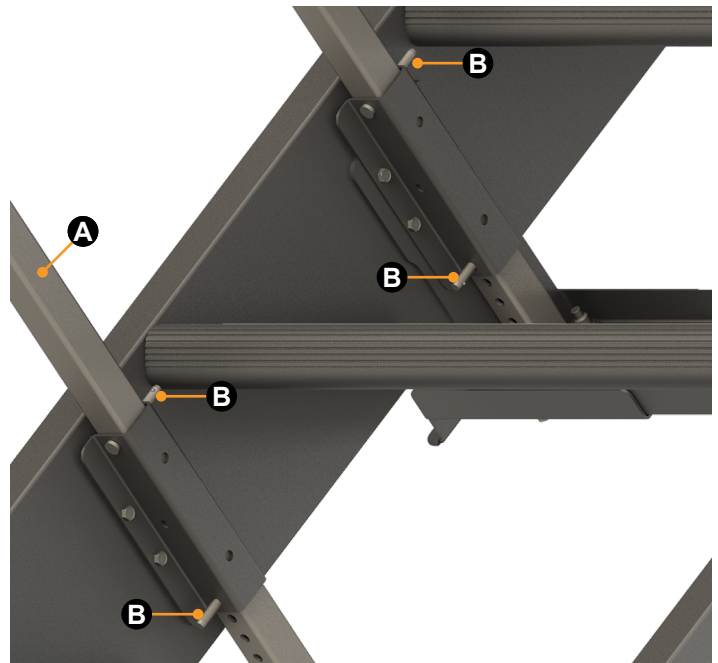


Fig.14



