

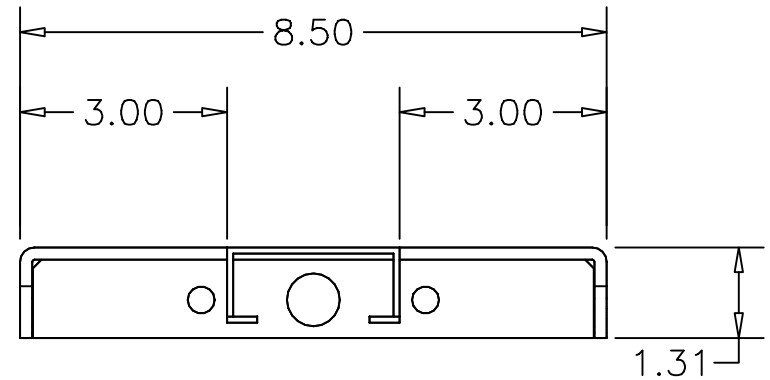
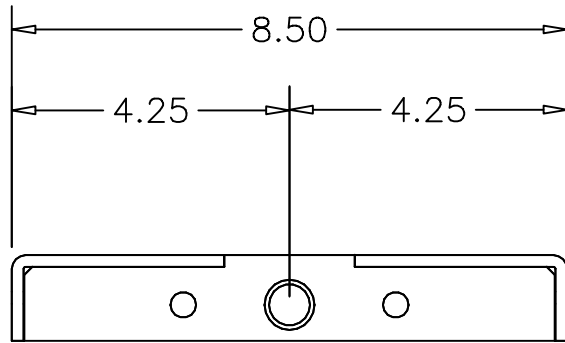
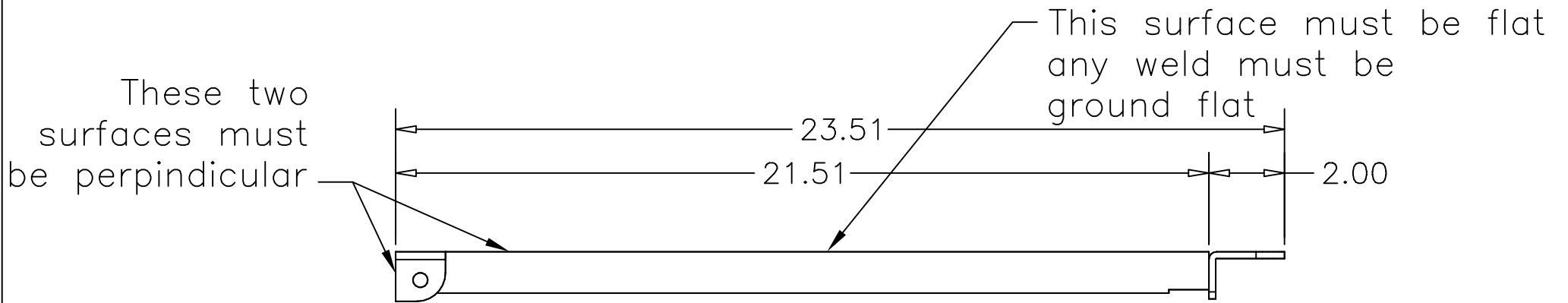
FINISH: BLACK POWDER COAT

*Equalizer*

55169 COUNTY ROAD 3  
ELKHART, IN 46515

NOTICE - This drawing, including principles of design, is the property of Days Corporation, Elkhart, Indiana, with the agreement that it is not to be reproduced, copied, or loaned in any manner that may constitute a detriment directly or indirectly to Days Corporation. Acceptance of this will be construed as an agreement of the above.

#	REVISIONS	BY:	DATE:	UNLESS OTHERWISE SPECIFIED: TOLERANCES: .XXX ± 0.010 .XX ± 0.010 .X ± 0.030 ANG. ± 1/2"	TITLE STABILIZER MAIN FRAME DETAIL	USED ON: STABILIZER
				REMOVE ALL BURRS AND SHARP EDGES .015 MAX	SIZE SCALE MATERIAL A 1:1 HOT ROLLED STEEL	
					DRW BY: DATE: SJ 6/21/16	PART NAME: STABILIZER-BASE-CHANNEL
					APP'D BY: DATE: - -	PAGE: DWG NO.: REV: 1 OF 5 2824A -



*Equalizer*

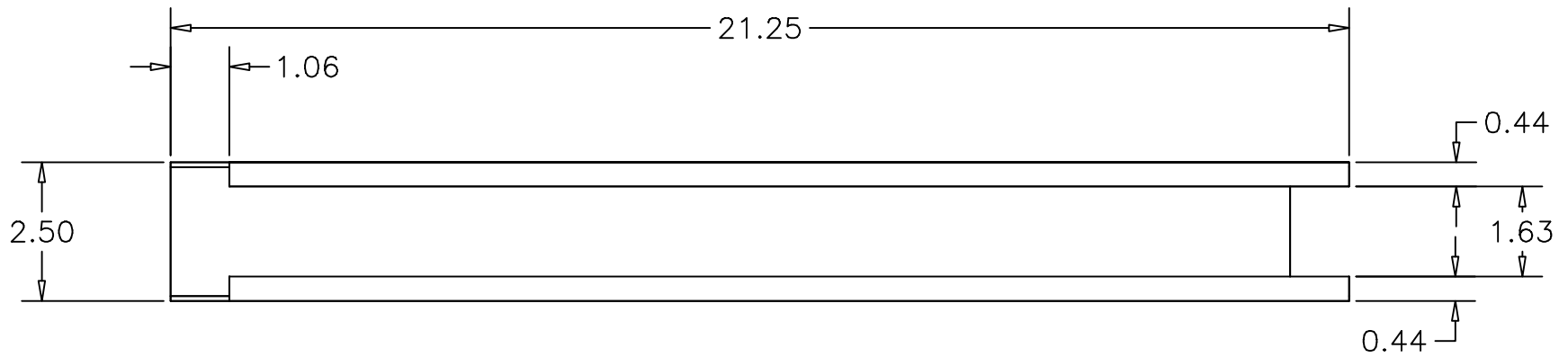
55169 COUNTY ROAD 3  
ELKHART, IN 46515

#	REVISIONS	BY:	DATE:

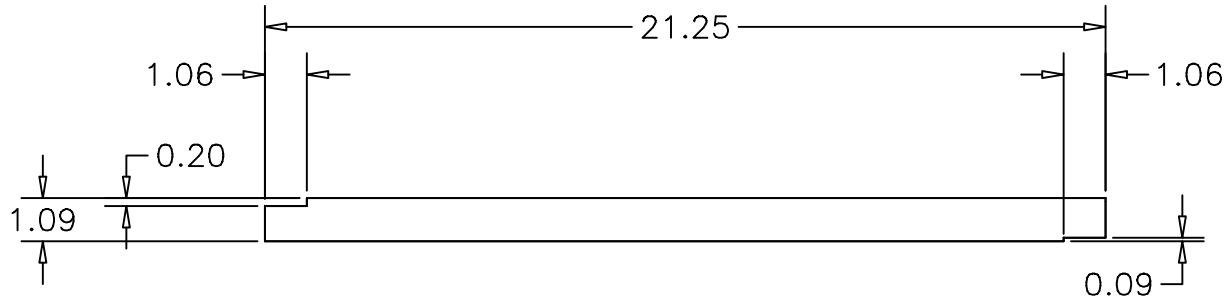
UNLESS OTHERWISE SPECIFIED:  
TOLERANCES:  
.XXX ± 0.010  
.XX ± 0.010  
.X ± 0.030  
ANG. ± 1/2"  
REMOVE ALL BURRS AND SHARP EDGES .015 MAX

TITLE			USED ON:	
STABILIZER MAIN FRAME DETAIL			STABILIZER	
SIZE	SCALE	MATERIAL		
A	1:1	HOT ROLLED STEEL		
DRW BY:	DATE:	PART NAME:		
SJ	6/21/16	STABILIZER-BASE-CHANNEL		
APP'D BY:	DATE:	PAGE:	DWG NO.:	REV:
-	-	2 OF 5	2824A	-

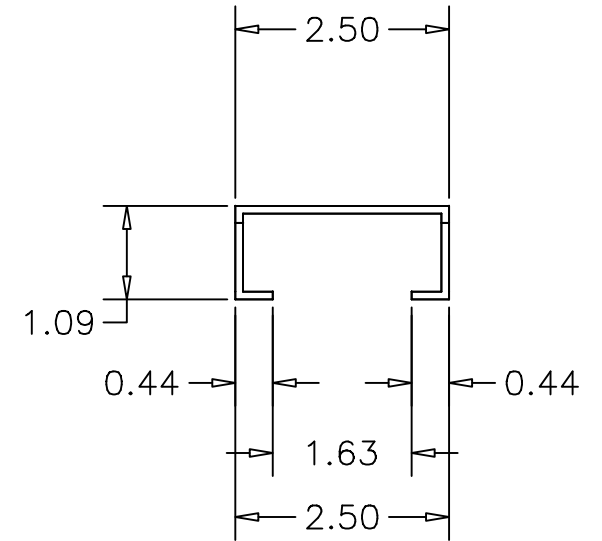
NOTICE - This drawing, including principles of design, is the property of Days Corporation, Elkhart, Indiana, with the agreement that it is not to be reproduced, copied, or loaned in any manner that may constitute a detriment directly or indirectly to Days Corporation. Acceptance of this will be construed as an agreement of the above.



Part 1 - Bottom View  
Material - 13ga.



Part 1 - Side View



Part 1 - End View

*Equalizer*

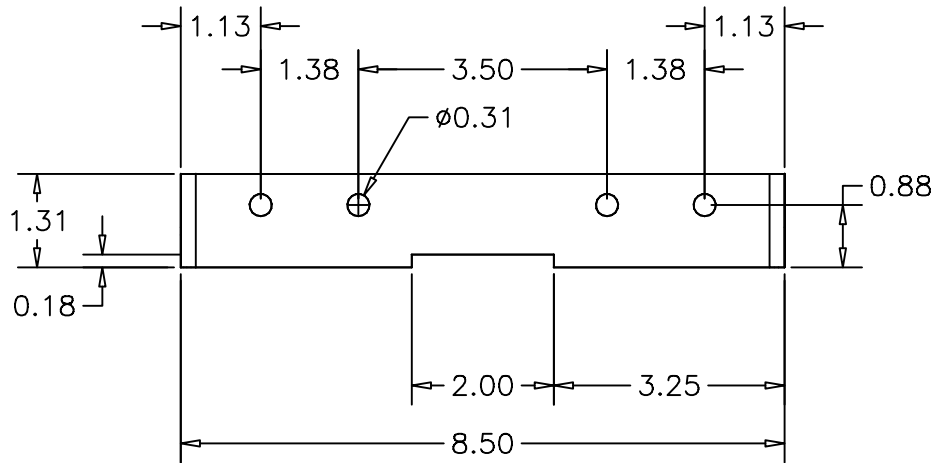
55169 COUNTY ROAD 3  
ELKHART, IN 46515

#	REVISIONS	BY:	DATE:

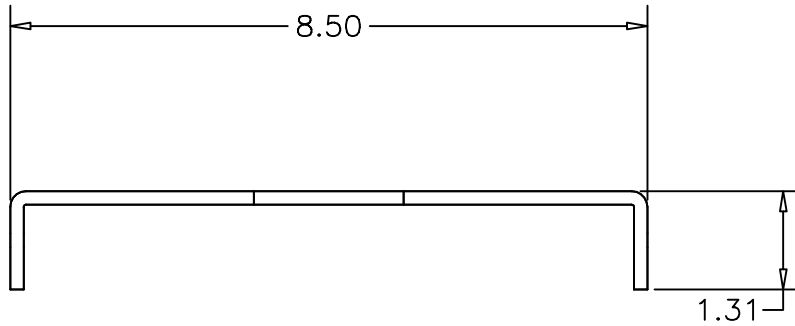
UNLESS OTHERWISE SPECIFIED:  
TOLERANCES:  
.XXX ± 0.010  
.XX ± 0.010  
.X ± 0.030  
ANG. ± 1/2"  
REMOVE ALL BURRS AND SHARP EDGES .015 MAX

TITLE STABILIZER MAIN FRAME DETAIL		USED ON: STABILIZER	
SIZE A	SCALE 1:1	MATERIAL HOT ROLLED STEEL	
DRW BY: SJ	DATE: 6/21/16	PART NAME: STABILIZER-BASE-CHANNEL	
APP'D BY: -	DATE: -	PAGE: 3 OF 5	DWG NO.: 2824A
			REV: -

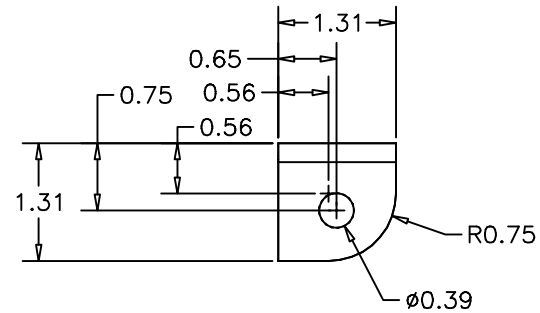
NOTICE - This drawing, including principles of design, is the property of Days Corporation, Elkhart, Indiana, with the agreement that it is not to be reproduced, copied, or loaned in any manner that may constitute a detriment directly or indirectly to Days Corporation. Acceptance of this will be construed as an agreement of the above.



Part 2-Top View  
Material-7ga.



Part 2-Front View



Part 2-Side View

*Equalizer*

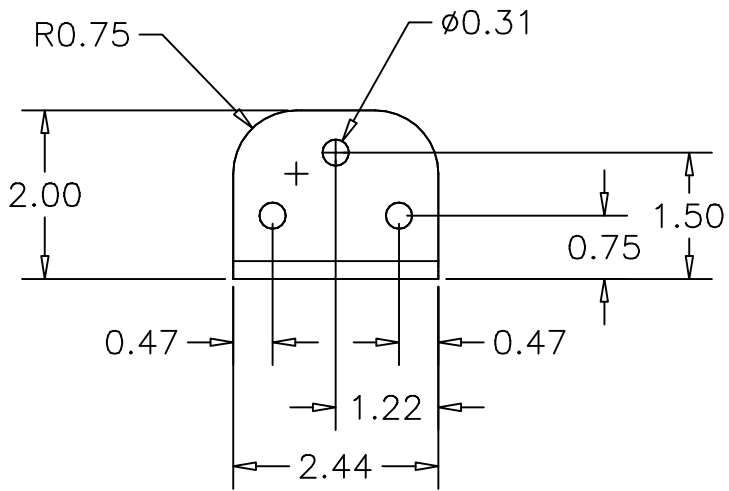
55169 COUNTY ROAD 3  
ELKHART, IN 46515

#	REVISIONS	BY:	DATE:

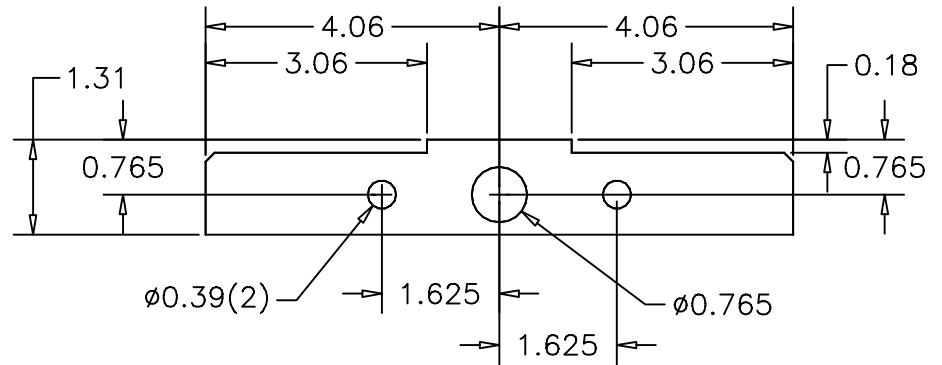
UNLESS OTHERWISE SPECIFIED:  
TOLERANCES:  
.XXX ± 0.010  
.XX ± 0.010  
.X ± 0.030  
ANG. ± 1/2"  
REMOVE ALL BURRS AND SHARP EDGES .015 MAX

TITLE			USED ON:		
STABILIZER MAIN FRAME DETAIL			STABILIZER		
SIZE	SCALE	MATERIAL			
A	1:1	HOT ROLLED STEEL			
DRW BY:	DATE:	PART NAME:			
SJ	6/21/16	STABILIZER-BASE-CHANNEL			
APP'D BY:	DATE:	PAGE:	DWG NO.:	REV:	
-	-	4 OF 5	2824A	-	

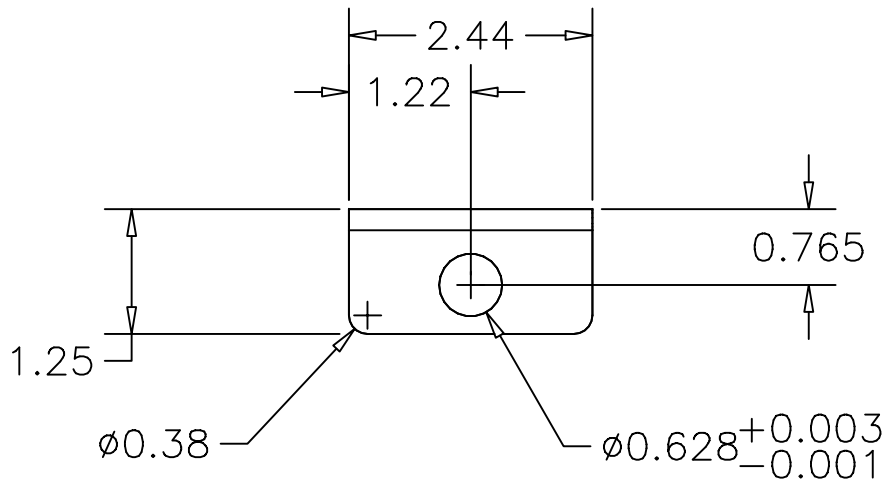
NOTICE - This drawing, including principles of design, is the property of Days Corporation, Elkhart, Indiana, with the agreement that it is not to be reproduced, copied, or loaned in any manner that may constitute a detriment directly or indirectly to Days Corporation. Acceptance of this will be construed as an agreement of the above.



Part 3—Top View  
Material—7ga.



Part 4  
Material—7ga.



Part 3—Front View

*Equalizer*

55169 COUNTY ROAD 3  
ELKHART, IN 46515

#	REVISIONS	BY:	DATE:

UNLESS OTHERWISE SPECIFIED:  
TOLERANCES:  
.XXX ± 0.010  
.XX ± 0.010  
.X ± 0.030  
ANG. ± 1/2"  
REMOVE ALL BURRS AND SHARP EDGES .015 MAX

TITLE			USED ON:		
STABILIZER MAIN FRAME DETAIL			STABILIZER		
SIZE	SCALE	MATERIAL	PART NAME:		
A	1:1	HOT ROLLED STEEL	STABILIZER-BASE-CHANNEL		
DRW BY:	DATE:	PAGE:	DWG NO.:	REV:	
SJ	6/21/16	5 OF 5	2824A	-	-
APP'D BY:	DATE:				
-	-				

NOTICE - This drawing, including principles of design, is the property of Days Corporation, Elkhart, Indiana, with the agreement that it is not to be reproduced, copied, or loaned in any manner that may constitute a detriment directly or indirectly to Days Corporation. Acceptance of this will be construed as an agreement of the above.