



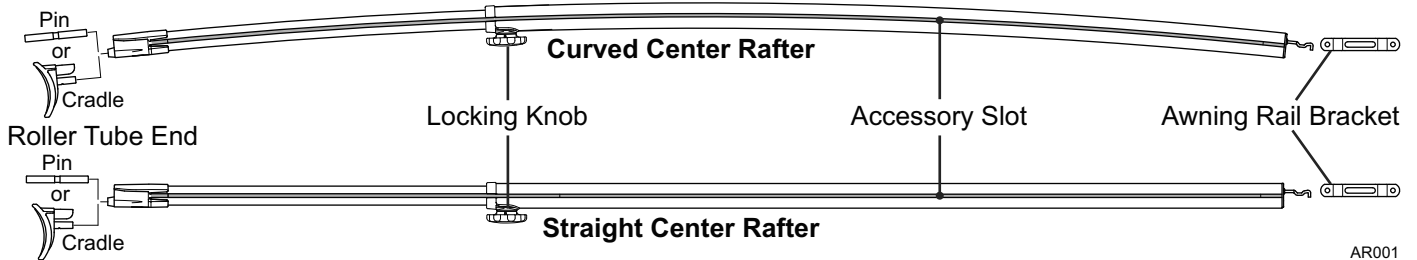
CENTER SUPPORT RAFTER

**KIT NUMBERS: 902820XXX
902821XXX**

**STRAIGHT CENTER RAFTER
CURVED CENTER RAFTER**

RV Accessories

Carefree offers two center support rafters that fit beneath the canopy. These rafters are easily installed and removed.

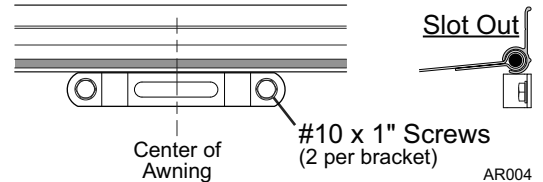
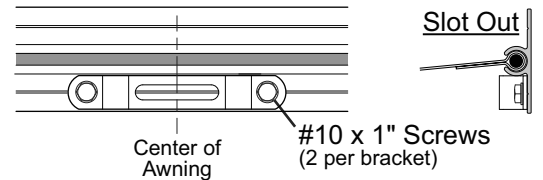
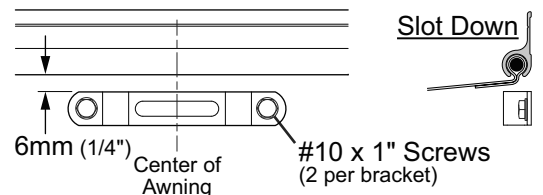


The accessory slot can accept fabric with a 3/16" - 1/4" polyrod.

The instructions below apply to both configurations.

INSTALL THE WALL BRACKET

1. Determine the style of awning rail mounted on the vehicle.
2. On the awning rail, measure and mark the center of the awning.
3. For awning rails with the slot pointing straight down, measure and mark 6mm (1/4") from bottom of awning rail. This is the location of the top of the wall bracket.
4. Position the bracket beneath the awning rail as shown.
5. Secure the bracket using two (2) #10 x 1" hex washer head screws.



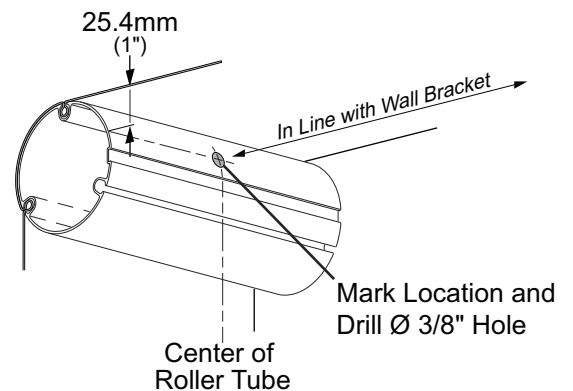
SELECT THE ROLLER TUBE CONNECTION

Two methods of connecting to the roller tube are available with the rafter.

Method 1 - Pin:

The rafter can be attached using the pin with a hole drilled into the roller tube.

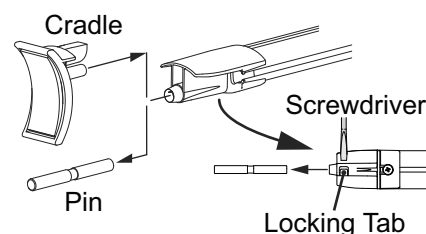
1. Open the awning completely per the awning instructions.
2. Mark the center of the roller tube.
3. Measure down from the canopy fabric 38mm (1.5").
4. Drill a 3/8" hole in the roller tube at the marks made.
Tip: Over extend the awning so that the marks are easily reached with the drill.



Method 2 - Cradle:

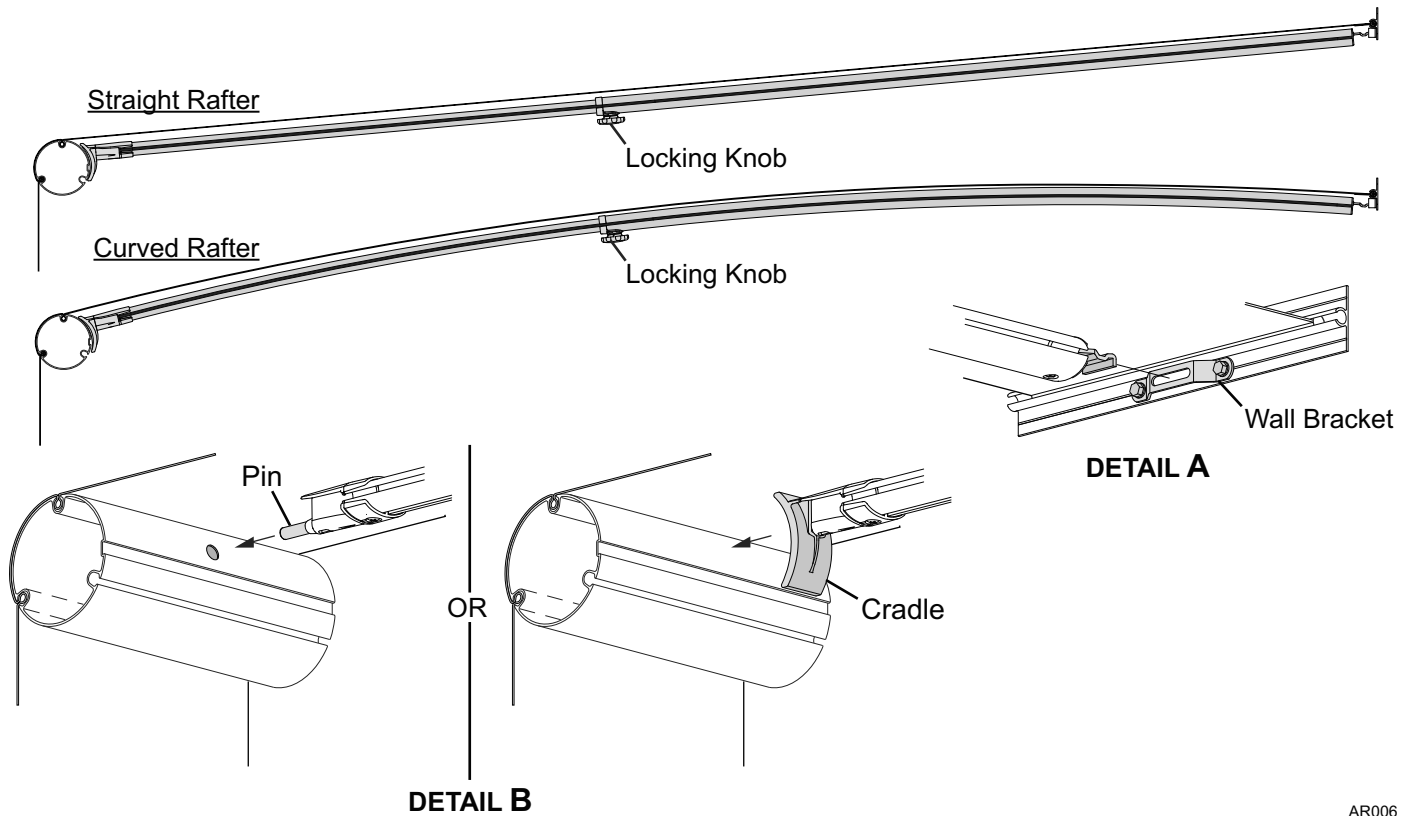
No drilling is required with this method. The cradle fits around the roller tube and firmly holds the rafter in place.

1. On the bottom of the rafter end, lift the locking tab up and pull the pin out.
2. Hold the tab up and slide the cradle completely into the end of the rafter. The cradle can only fit one way.



INSTALLING THE RAFTER

1. Open the awning completely per the awning instructions.



2. (Detail A) Hook the rafter onto the wall bracket.
3. Loosen the locking knob.
4. (Detail B) Press the front section of the rafter tightly against the roller tube. Tighten the locking knob.

NOTE: The curved rafter will press up against the canopy creating an arch in the center of the fabric.

NOTICE Always remove the rafters before closing the awning. Damage can occur to the awning and rafter.

AR006