



**OVER 35 YEARS OF INNOVATION, QUALITY, SAFETY.  
IMPORTANT OWNER-OPERATOR INSTALLATION INSTRUCTIONS**

**A7770, A7771  
FORTRESS GAS LOCK  
APPLICATION:  
Dual Propane Tank Setups**



REVISED version 3 BY: CW 10/13/14

**TECH SUPPORT (800) 246-8132**

**AFTER INSTALL, PLEASE GIVE  
THIS BOOKLET TO YOUR CUSTOMER**

# A7770, A7771 INVENTORY LIST

- 1- **Propane Lock Bracket**
- 1- **Propane Lock Handle**
- 1- **Washer SS (A7770 - 1/2" SAE) (A7771 - 3/8" SAE)**
- 1- **Pin Lock**
- 1- **Theft Deterrent Decal**
- 1- **Rubber Lock Spacer**

## ASSEMBLY

### Step 1-

Between the two propane tanks, remove the handle from the threaded rod.

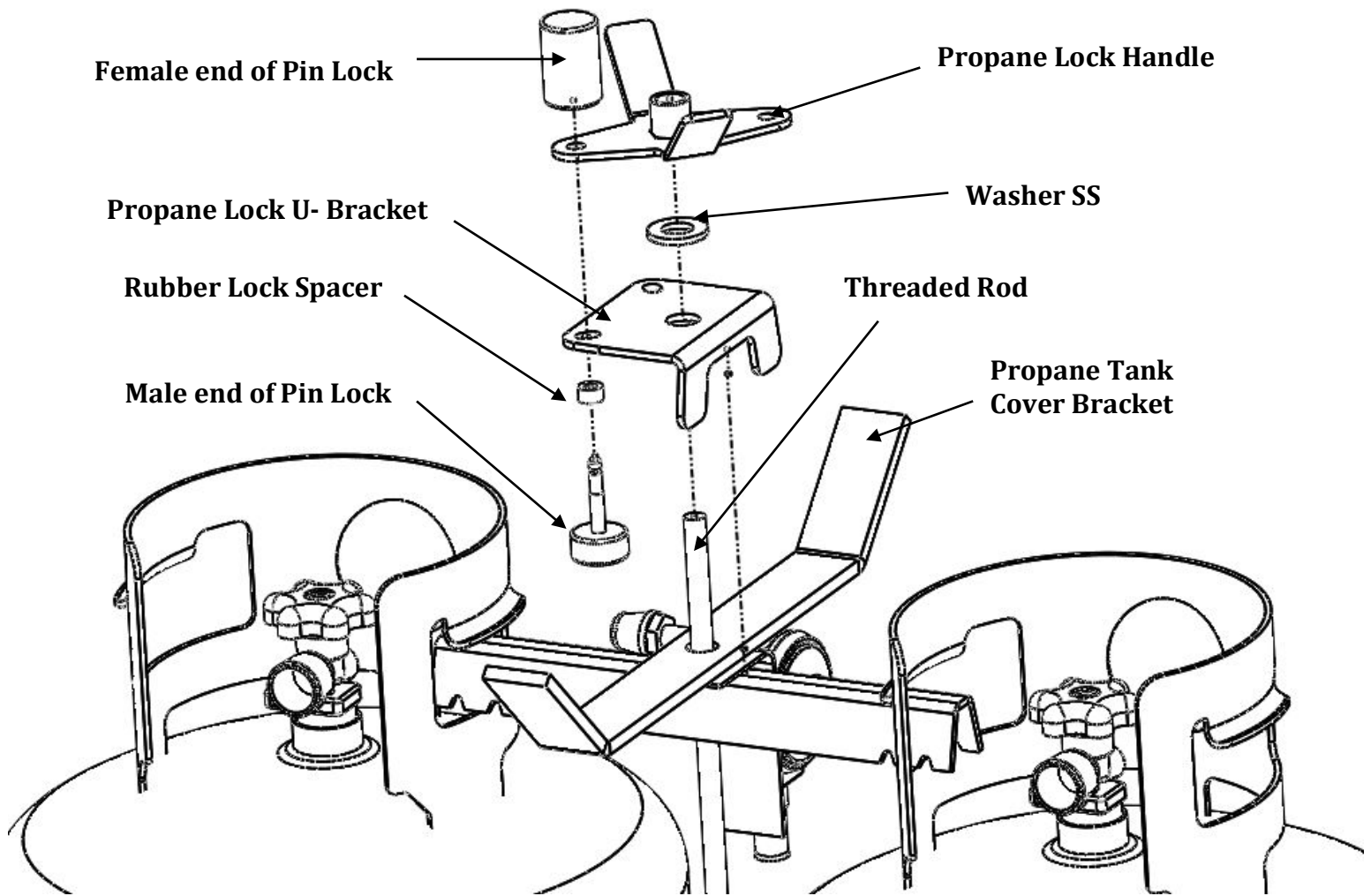
### Step 2-

Place the **Propane Lock Bracket** over the threaded rod with the feet pointing down and facing towards either Propane Tank. It will fit over the Propane Tank Cross Bar and Propane Tank Cover Bracket as seen in **Photo 3.1 and 4.1**.

### Step 3-

Place the **Washer SS** over the threaded rod. Thread the **Propane Lock Handle** onto the threaded rod and tighten until the propane bottles are secure. Occasionally the threaded rod will not be tall enough to fully install the Propane Lock Handle. In most cases, the threaded rod can be unscrewed from the bottom to allow for extra height. Rotate the **Propane Lock Handle** so one of the locking holes lines up with the hole in the **Propane Lock Bracket** see **Photo 3.1**

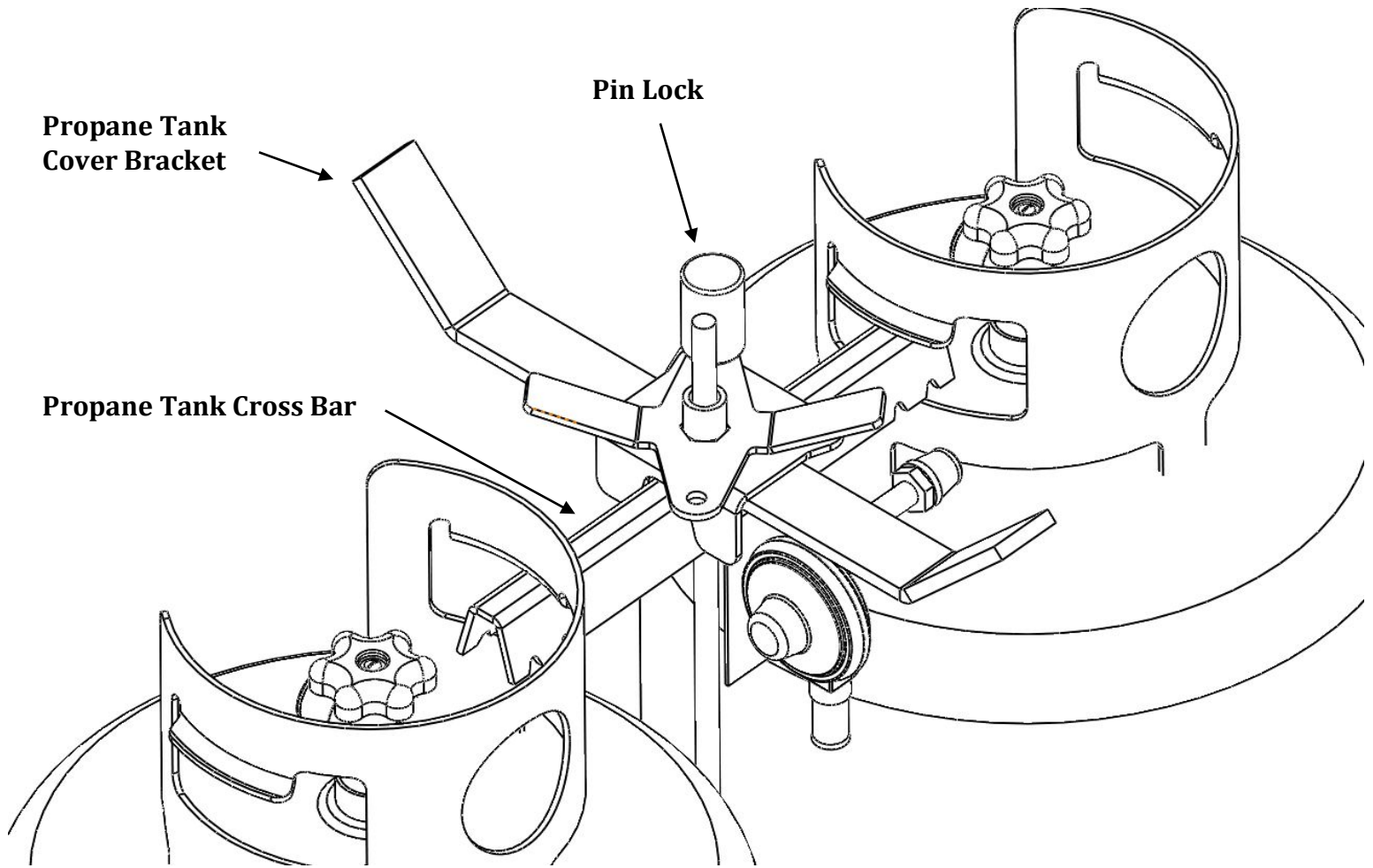
## Photo 3.1 - A7770



### Step 4-

Place the **Rubber Lock Spacer** over the male end of the **Pin Lock** and then install the **Pin Lock** from the bottom side of the **Propane Lock Bracket**. With the key removed, push the female end of the **Pin Lock** onto the male end of the **Pin Lock** until you hear a “*snap*.” Make sure to check that the **Pin Lock** is securely fastened by pulling the female end of the **Pin Lock** away from the male end, see **Photo 4.1**.

## Photo 4.1- A7770



### Step 5-

To remove the **Pin Lock**, insert the key and twist clockwise. Pull the two sides of the **Pin Lock** apart and remove from **Propane Lock Bracket** and **Propane Lock Handle**.

### Step 6-

Apply the **Theft Deterrent Decal** onto the propane tank cover or the tank itself. (Photo 6.1)

Photo 6.1



# **Torklift International Limited Lifetime Warranty Information**

1901 Fryar Ave Sumner, WA 98390

Torklift will require proof of purchase to register, with pictures of any defective product before issuing a replacement. Torklift will not register any product without proof of purchase, which can be faxed, scanned, emailed, or mailed to the information provided below. Torklift warrants its hitches, custom hitch receivers, frame mounted tie downs, turnbuckles, and accessories (excluding wire harnesses which carry a 90 day warranty) from date of purchase against defects in material and workmanship under normal use and service for the ownership life of the original consumer purchaser. **ALL COMMERCIAL APPLICATIONS ARE WARRANTED FOR A PERIOD OF 90 DAYS FROM THE DATE OF INSTALLATION/SERVICE.** Torklift will replace **FREE OF CHARGE** any part, which proves defective in material or workmanship when presented to Torklift, **TRANSPORTATION CHARGES PREPAID** by purchaser, at the address above. **THIS WARRANTY IS LIMITED TO DEFECTIVE PARTS REPLACEMENT ONLY. LABOR CHARGES AND/OR DAMAGE INCURRED IN INSTALLATION OR REPLACEMENT, AS WELL AS INCIDENTAL AND CONSEQUENTIAL DAMAGES CONNECTED THEREWITH ARE EXCLUDED.** This warranty does not include the finish or paint on our products. Rusting, cracking or peeling of the finish is also excluded. Some states do not allow the exclusion or limitation of incidental or consequential damages, so the above limitation or exclusion may not apply to you. Any damage to Torklift products as a result of misuse, abuse, neglect, accident, improper installation or any use violation of instructions furnished by Torklift or **WHEN USED IN ANY COMMERCIAL APPLICATION WILL VOID THE WARRANTY.** This warranty gives you specific legal rights, and you may also have rights, which vary from state to state. With warranty service, you may be able to go to a small claims court, a state court or a federal district court.



**OVER 35 YEARS OF INNOVATION, QUALITY, SAFETY.**

**1901 Fryar Avenue  
Sumner WA, 98390**

**Phone (800) 246-8132  
Fax (253) 854-8003**

or visit our website: [www.TorkLift.com](http://www.TorkLift.com)

Dear Valued Customer,

Thank you for making TorkLift your choice for truck, camper packages and accessories for your vehicle. By choosing TorkLift products, you have chosen a company that has been serving the RV industry for nearly 40 years and whose name has become synonymous with strength, quality and advanced design and installation.

Please take a few moments of your time to complete the Product Registration Warranty Card on the next page. When registering your newly purchased TorkLift products, you can be assured that your contact information is secure and that you and your product are getting the attention and respect that you deserve.

Thank you again for choosing TorkLift quality products.

**Register for your lifetime warranty and receive a free Torklift International gift.**

To Fax: Send copies of the questionnaire, warranty card and receipt to  
253-854-8003

To E-mail: Send copies of the questionnaire, warranty card and receipt to  
[warranty@torklift.com](mailto:warranty@torklift.com)

To Mail: Send to Torklift International 1901 Fryar Ave Sumner, WA 98390



# **TORKLIFT**

## **INTERNATIONAL**

**OVER 35 YEARS OF INNOVATION, QUALITY, SAFETY.**

### **OFFICIAL WARRANTY REGISTRATION CARD**

PLEASE FILL OUT THIS FORM COMPLETELY AND RETURN TO TORKLIFT WITHIN  
30 DAYS OF PURCHASE ACCOMPANIED BY A COPY OF YOUR ORIGINAL RECEIPT

**TODAY'S DATE:** \_\_\_\_\_

#### **1. PART(S) PURCHASED**

PART #: \_\_\_\_\_ PART #: \_\_\_\_\_  
PART #: \_\_\_\_\_ PART #: \_\_\_\_\_

#### **2. PURCHASER INFORMATION**

NAME: \_\_\_\_\_

ADDRESS: \_\_\_\_\_

\_\_\_\_\_

CITY: \_\_\_\_\_ STATE: \_\_\_\_\_ ZIP / POSTAL CODE: \_\_\_\_\_

PHONE: (\_\_\_\_) \_\_\_\_\_ - \_\_\_\_\_ EMAIL: \_\_\_\_\_

#### **3. TRUCK INFORMATION**

YEAR: \_\_\_\_\_ MAKE: \_\_\_\_\_

MODEL: \_\_\_\_\_ BED LENGTH: \_\_\_\_\_

#### **4. CAMPER INFORMATION**

YEAR: \_\_\_\_\_ MAKE: \_\_\_\_\_ MODEL: \_\_\_\_\_

#### **5. DEALER INFORMATION**

PURCHASED FROM: \_\_\_\_\_

ADDRESS: \_\_\_\_\_

CITY: \_\_\_\_\_ STATE: \_\_\_\_\_ ZIP / POSTAL: \_\_\_\_\_

INSTALLED BY:  OWNER  ABOVE DEALER  ANOTHER DEALER

IF ANOTHER DEALER, WHO: \_\_\_\_\_