

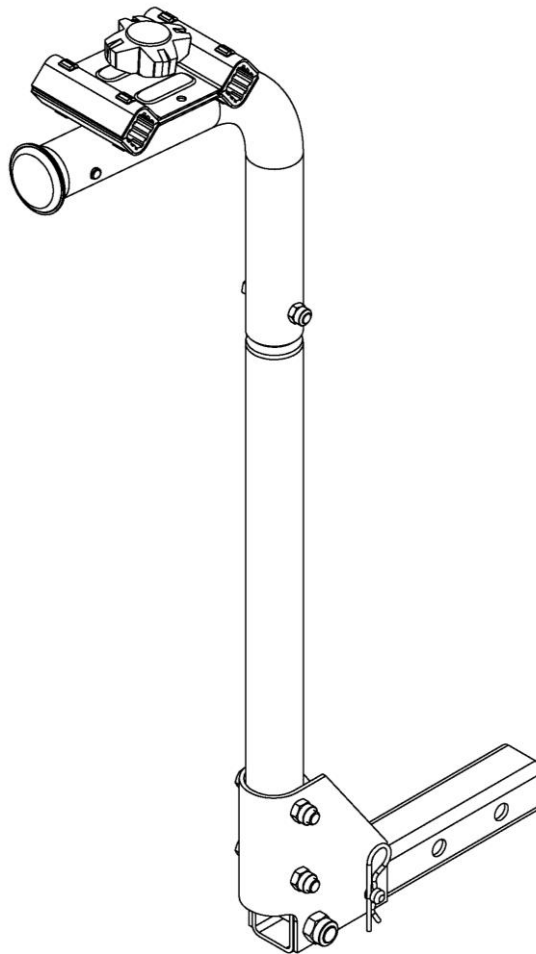


**STROMBERG CARLSON  
PRODUCTS INC.**

---

## **HITCH MOUNT BICYCLE CARRIER**

### **Model BC-102**



**MAXIMUM LOADING CAPACITY – 60 LBS**

Stromberg Carlson Products, Inc.  
2323 Traversefield Drive  
Traverse City, Michigan 49686  
231-947-8600 ext. 108 for Customer Service  
[info@strombergcarlson.com](mailto:info@strombergcarlson.com)



**STROMBERG**



**STROMBERG CARLSON  
PRODUCTS INC.**

## Recommended Tools for Assembly:



Open Wrench (2 pc.)  
Size=17mm



Open Wrench (2 pc.)  
Size=19mm



Open Wrench (2 pc.)  
Size=24mm

## Assembly Instructions

**STEP 1** Attach Elbow Plate (part #2) onto Hitch Base (part #1) using the M16x80 Bolt (part #4) and M16 Nut (part #5). Next, insert Pin (part #6), using "R" Pin (part# 7) to secure it. Attach Center Support (part #3) into Elbow Plate, using (2) M12x80 Bolts (part #8) and (2) M12 Nuts (part #9). See FIG. 1

**STEP 2** Attach Elbow Support (part #10) onto the Center Support by using M10x65 Bolt (part #11) and M10 Nut (part #12). See FIG. 2

**STEP 3** Next, place "W" Plate (part #13) onto the Elbow Support using Handle (part #14). Insert the Reflector (part #15) into the Elbow Support tube. See FIG. 3

FIG. 1

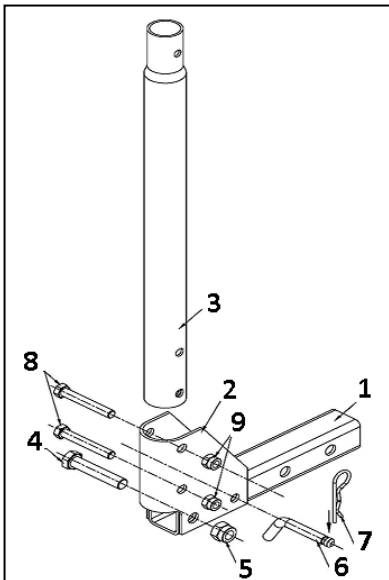


FIG. 2

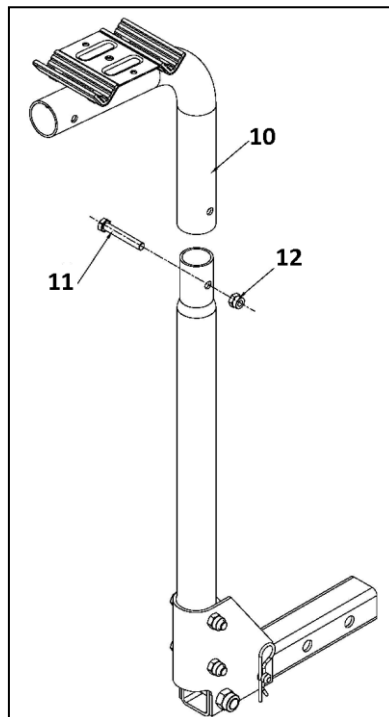
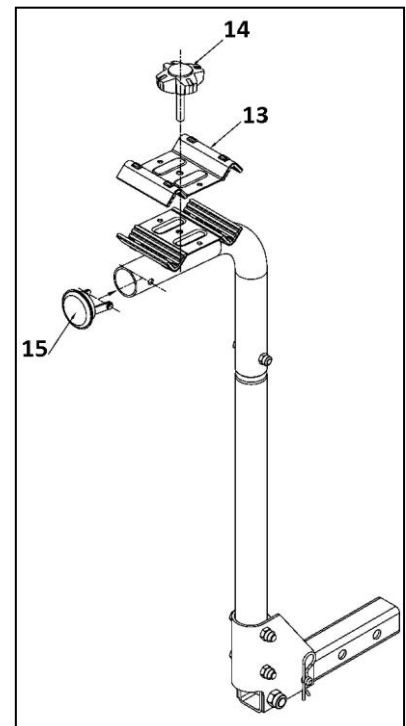


FIG. 3



Stromberg Carlson Products, Inc.

2323 Traversefield Drive

Traverse City, Michigan 49686

231-947-8600 ext. 108 for Customer Service

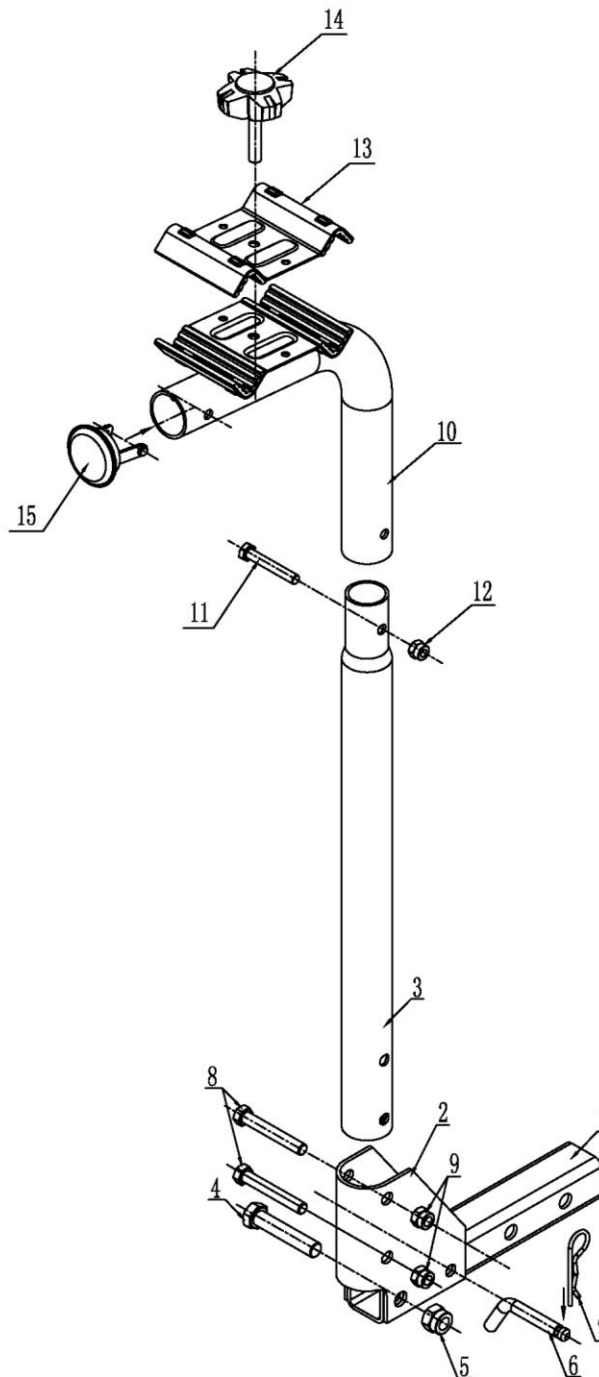
[info@strombergcarlson.com](mailto:info@strombergcarlson.com)



**STROMBERG**

## Carton Contents & Assembly Diagram

Part#	Description	Qty
1	Hitch Base	1
2	Elbow Plate	1
3	Center Support	1
4	M16X80 Bolt	1
5	M16 Nut	1
6	Pin	1
7	"R" Pin	1
8	M12X80 Bolt	2
9	M12 Nut	2
10	Elbow Support	1
11	M10X65 Bolt	1
12	M10 Nut	1
13	"W" Plate	1
14	Handle	1
15	Reflector	1



\* THIS BIKE RACK IS BUILT TO BE STRONG AND ECONOMICAL. IT MAY BE DIFFICULT TO MOUNT CERTAIN FRAME DESIGNS TO THIS CARRIER. FURTHER, BIKES WILL HAVE CONTACT WITH EACH OTHER ON THIS BIKE CARRIER DESIGN. IF THIS CONCERNS YOU, PLEASE SEE OUR BIKE RACK MODEL BC-202.

**Stromberg Carlson Products, Inc.**  
 2323 Traversefield Drive  
 Traverse City, Michigan 49686  
 231-947-8600 ext. 108 for Customer Service  
[info@strombergcarlson.com](mailto:info@strombergcarlson.com)



**STROMBERG CARLSON  
PRODUCTS INC.**

---

## **HITCH MOUNT BICYCLE CARRIER**

**Model BC-104**



**Maximum Loading Capacity – 120 LBS**

**Stromberg Carlson Products, Inc.  
2323 Traversefield Drive  
Traverse City, Michigan 49686  
231-947-8600 ext. 108 for Customer Service  
[info@strombergcarlson.com](mailto:info@strombergcarlson.com)**

 **STROMBERG**

## Recommended Tools for Assembly:



Open Wrench (2 pc.)  
Size=17mm



Open Wrench (2 pc.)  
Size=19mm



Open Wrench (2 pc.)  
Size=24mm

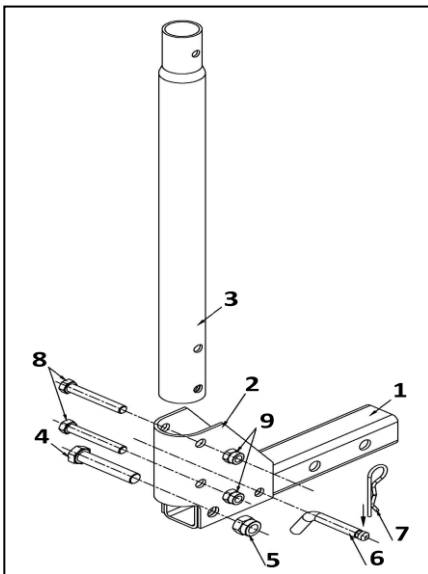
## Assembly Instructions

**STEP 1** Attach Elbow Plate (part #2) onto the Hitch Base (part #1) using M16x80 Bolt (part #4), and M16 Nut (part #5). Next, insert Pin (part #6), using “R” Pin (part #7) to secure it. Attach Center Support (part #3) into Elbow Plate using (2) M12x80 Bolts (part #8) and (2) M12 Nuts (part #9). **See FIG. 1**

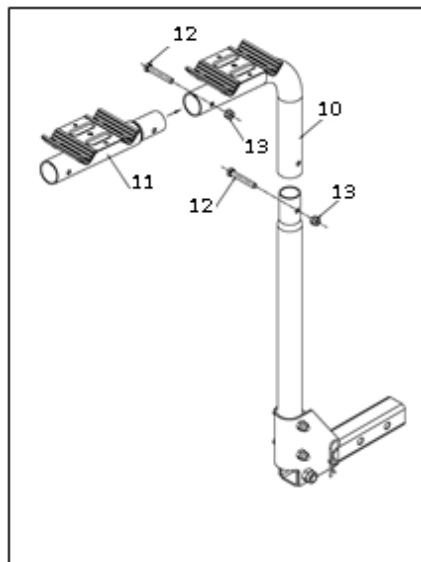
**STEP 2** Attach Elbow Support (part #10) onto the Center Support by using an M10x65 Bolt (part #12) and M10 Nut (part #13). Next, connect the Bike Holder Tube (part #11) onto the Elbow Support with an M10x65 Bolt (part #12) and M10 Nut (part #13). **See FIG. 2**

**STEP 3** Next, place (2) “W” Plates (part #14) onto the Elbow Support and the Bike Holder Tube, using (2) Handles (part #15) to secure. Insert the Reflector (part #16) into the Bike Holder Tube. **See FIG. 3**

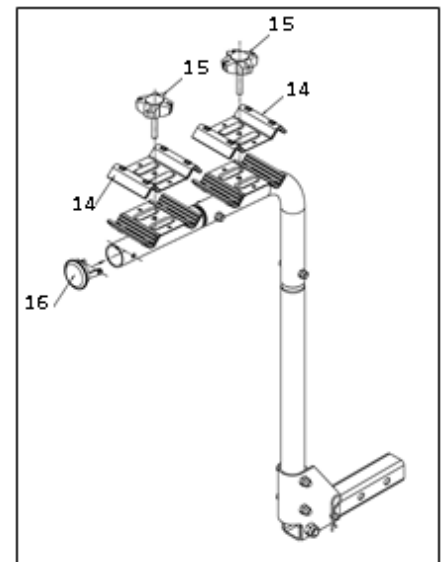
**FIG. 1**



**FIG. 2**



**FIG. 3**

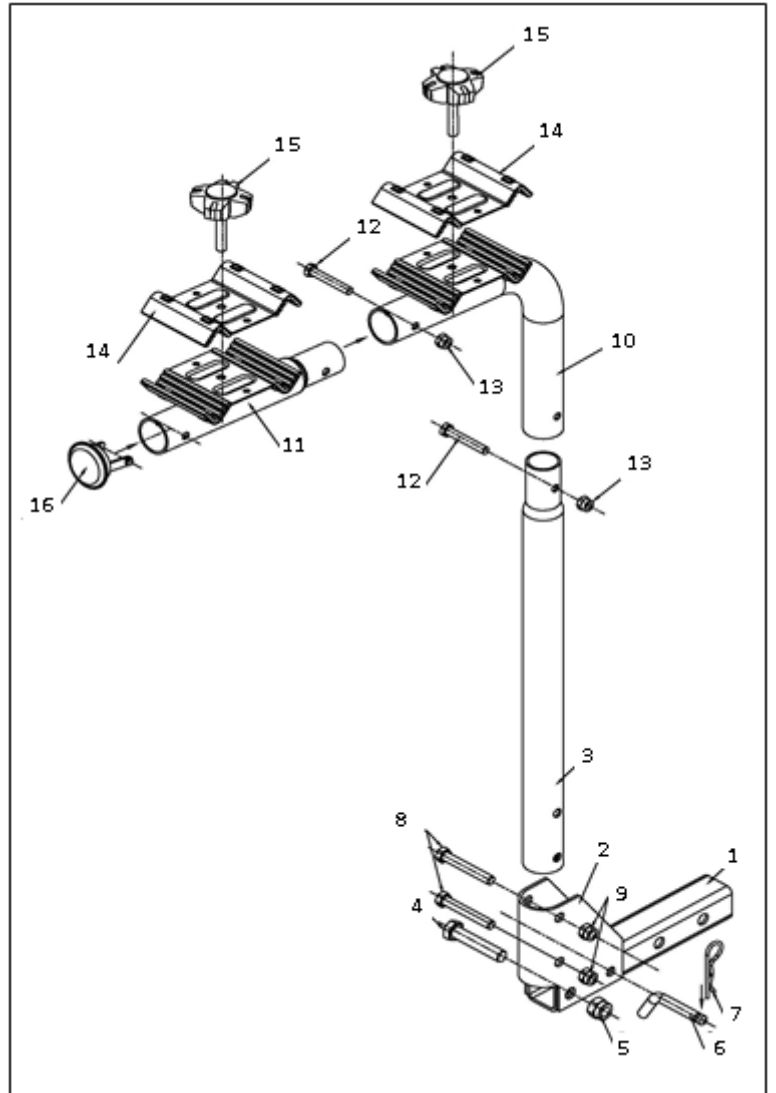


**Stromberg Carlson Products, Inc.**  
2323 Traversefield Drive  
Traverse City, Michigan 49686  
231-947-8600 ext. 108 for Customer Service  
[info@strombergcarlson.com](mailto:info@strombergcarlson.com)



## Carton Contents and Assembly Diagram

Part #	Description	Qty
1	Hitch Base	1
2	Elbow Plate	1
3	Center Support	1
4	M16X80 Bolt	1
5	M16 Nut	1
6	Pin	1
7	"R" Pin	1
8	M12X80 Bolt	2
9	M12 Nut	2
10	Elbow Support	1
11	Bike Holder Tube	1
12	M10X65 Bolt	2
13	M10 Nut	2
14	"W" Plate	2
15	Handle	2
16	Reflector	1

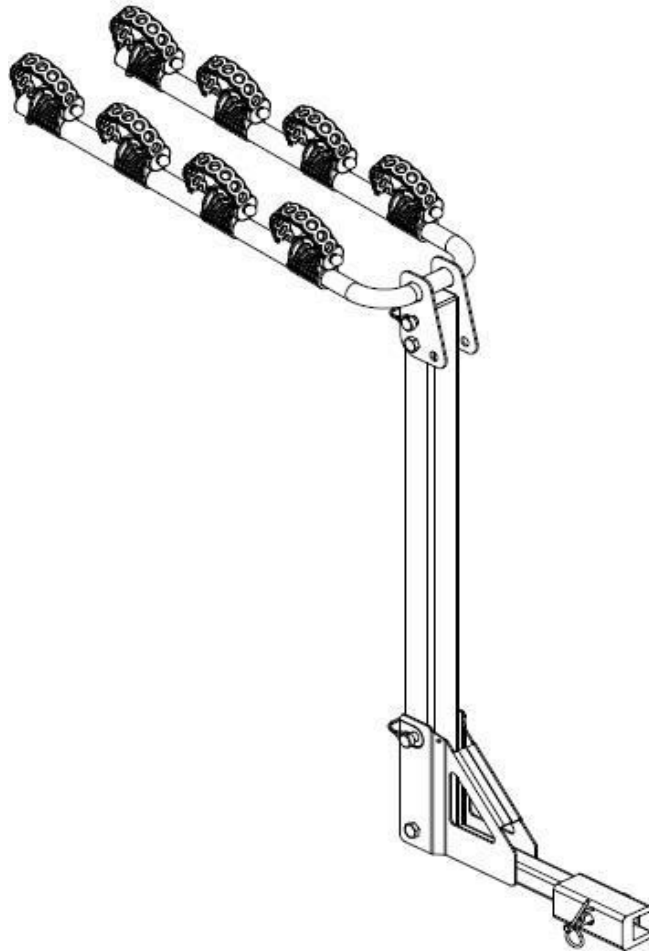


\* THIS BIKE RACK IS BUILT TO BE STRONG AND ECONOMICAL. IT MAY BE DIFFICULT TO MOUNT CERTAIN FRAME DESIGNS TO THIS CARRIER. FURTHER, BIKES WILL HAVE CONTACT WITH EACH OTHER ON THIS BIKE CARRIER DESIGN. IF THIS CONCERNS YOU, PLEASE SEE OUR BIKE RACK MODEL BC-204.

**Stromberg Carlson Products, Inc.**  
**2323 Traversefield Drive**  
**Traverse City, Michigan 49686**  
**231-947-8600 ext. 108 for Customer Service**  
[info@strombergcarlson.com](mailto:info@strombergcarlson.com)



**RACK & RIDE**  
**UP TO 4 BIKES, FITS 1-<sup>1</sup>/<sub>4</sub>" OR 2" RECEIVER**  
**Model BC-108**



**MAXIMUM LOADING CAPACITY – 120 LBS**

**Caution:** There are bike frames that make using this carrier very easy, or more difficult. Further, bike frames, tire size, and handle bar designs influence how many bikes can be placed on any bike rack. We can not promise swinging bikes on this rack will not chip paint or cause other unseen problems. You the customer have the responsibility in properly fitting bikes on this carrier.

Stromberg Carlson Products, Inc.  
2323 Traversefield Drive  
Traverse City, Michigan 49686  
231-947-8600 ext. 108 for Customer Service  
info@strombergcarlson.com

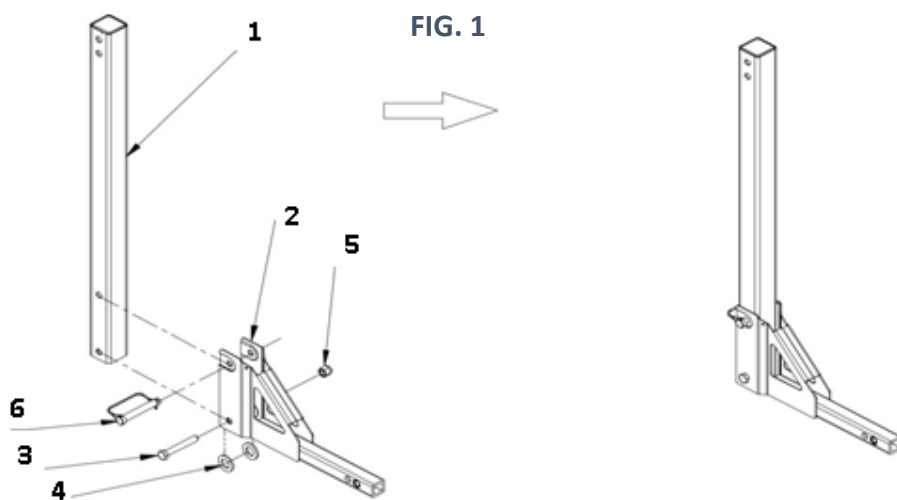
## Recommended Tools for Assembly



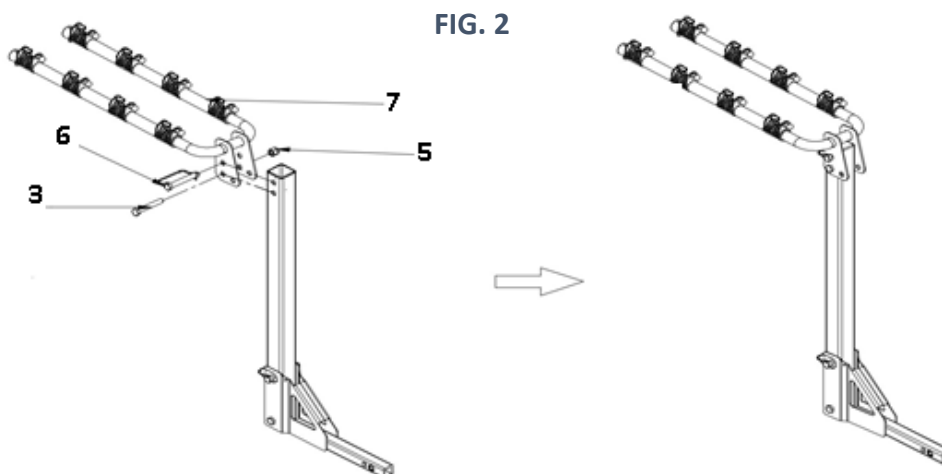
3/4" wrench

**STEP 1** Attach the Main Support Tube (part #1) to the Mounting Bracket (part #2). Line up the hole near the end of the Main Support Tube with the hole on the Mounting Bracket. Install a Hex Bolt (part #3), (2) Nylon Flat Washers (part #4), and Lock Nut (part #5) as shown. Tighten Lock Nut until it is tight. Main Support Tube must be able to rotate after tightening. See FIG. 1

**STEP 2** Install Bail Pin (part #6) through Mounting Bracket and Main Support Tube so the bike carrier is in an upright position. See FIG. 1



**STEP 3:** Pull preinstalled Bail Pin (part #6) from Mounting Bracket and Arm Assembly (part #7). Attach Arm Assembly to Main Support Tube with Hex Bolt (part #3), and Lock Nut (part #5) as shown. Line up the hole at the end of the Main Support Tube with the hole in the Arm Assembly. Reinstall Bail Pin through Arm Assembly and Main Support Tube. See FIG. 2



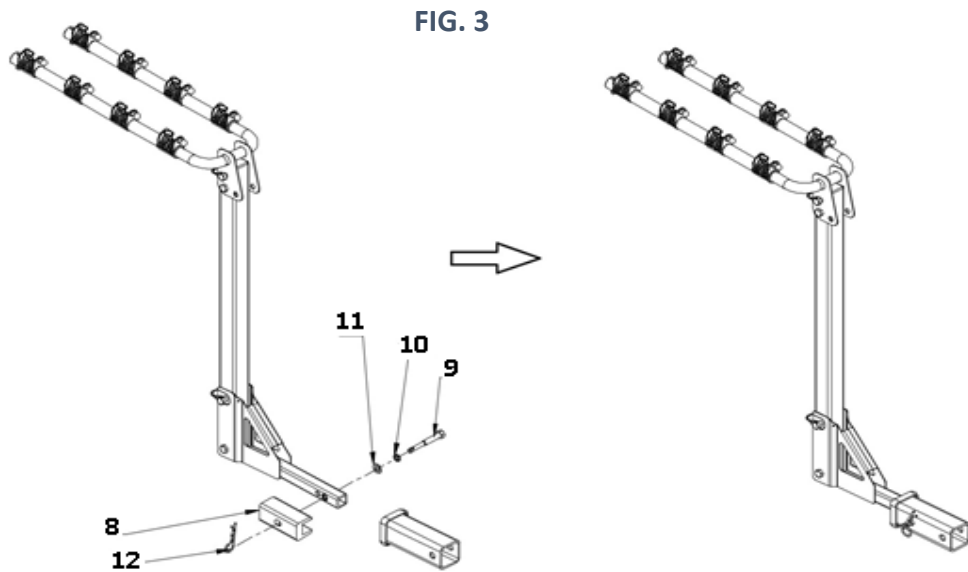
Stromberg Carlson Products, Inc.  
2323 Traversefield Drive  
Traverse City, Michigan 49686  
231-947-8600 ext. 108 for Customer Service  
info@strombergcarlson.com



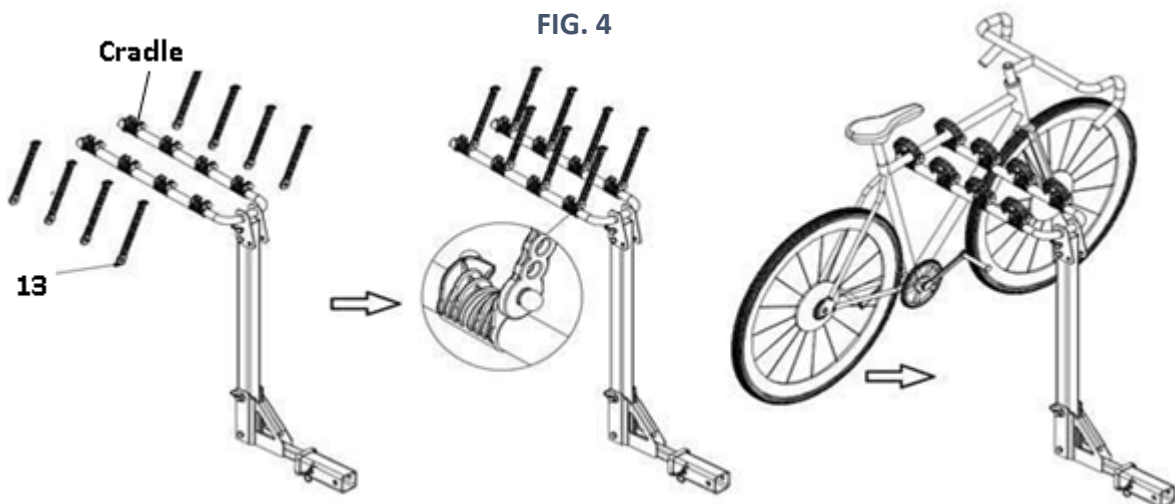
**Vehicle Mounting Instructions:**

**Step 4:** For installation into a 1-1/4" receiver hitch, use Anti-Rattle Pin (part #9), Washer (part #10), Spring Washer (part #11) and Pin Clip (part #12) as shown. Tighten with 3/4" wrench (not provided). Insert Anti-Rattle Pin from driver's side only. See FIG.3.

**Step 5:** For installation into a 2" receiver hitch, use 2" Adapter (part #8), Anti-Rattle Pin (part #9) and Pin Clip (part #12) as shown. Tighten with 3/4" wrench (not provided). Insert Anti-Rattle Pin from driver's side only. See FIG.3.



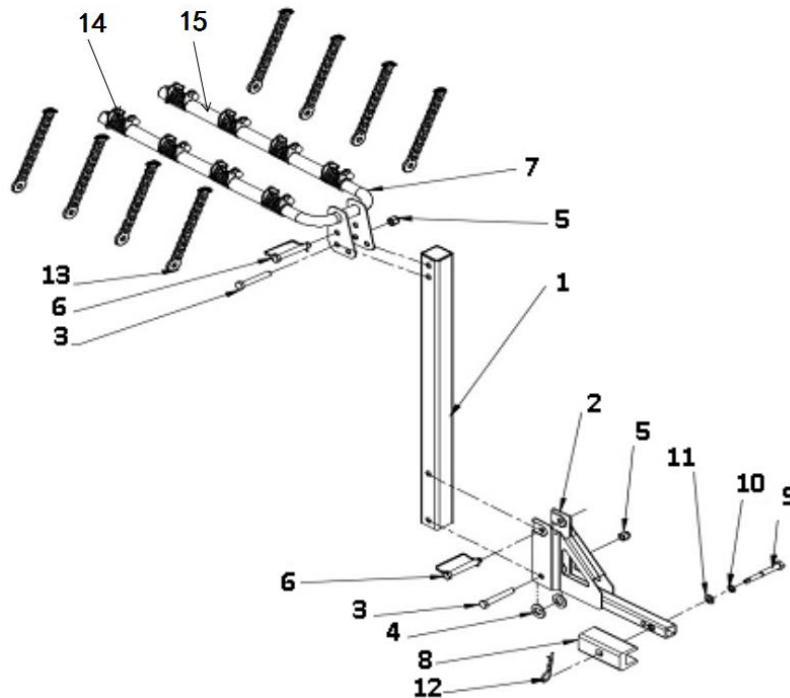
**Step 6:** Insert (1) Rubber Strap (part #13) in each cradle of the Arm Assembly. Place the bike onto the bike rack, fix the bike frame in place. Loop Rubber Straps over the top of the bike frame, insert Rubber Straps in the cradles of the Arm Assembly and secure in place. Alternate bike directions when installing on carrier to avoid handlebar interferences. See FIG. 4



Stromberg Carlson Products, Inc.  
2323 Traversefield Drive  
Traverse City, Michigan 49686  
231-947-8600 ext. 108 for Customer Service  
info@strombergcarlson.com



**Assembly Diagram**



**Carton Contents** - Some parts can be ordered if lost, stolen or damaged

Part #	Description	Qty	Part #	Description	Qty
1	Main Support Tube	1	9	Anti-Rattle Pin	1
2	Mounting Bracket	1	10	Washer	1
3	Hex Bolt	2	11	Spring Washer	1
4	Nylon Washers	2	12	Pin Clip	1
5	Lock Nut	2	13	Rubber Strap	8
6	Bail Pin	2	14	Cradle	8
7	Arm Assembly	1	15	Spacer	6
8	2" Adapter	1			

**WARNING**

To prevent serious injury or death:

INSPECT for signs of wear, corrosion and fatigue BEFORE each use. DO NOT USE if bent or deformed.

DO NOT EXCEED the 120lb (54kg) capacity of the bike carrier.

**SAVE THESE INSTRUCTIONS**

**Stromberg Carlson Products, Inc.**  
**2323 Traversefield Drive**  
**Traverse City, Michigan 49686**  
**231-947-8600 ext. 108 for Customer Service**  
**info@strombergcarlson.com**

