



OVER 35 YEARS OF INNOVATION, QUALITY, SAFETY.
IMPORTANT OWNER-OPERATOR INSTALLATION INSTRUCTIONS

C3215



REVISED version 8 BY: JL 8/6/2015
TECH SUPPORT (800) 246-8132

**AFTER INSTALL, PLEASE GIVE
THIS BOOKLET TO YOUR CUSTOMER**

Warnings

Truck Bed and Camper Protection

Torklift **does not** recommend installing your camper on top of a plastic bed liner (or other compressible material such as foam). These materials can act as a spring, causing increased vertical truck camper movement independent of the vehicle. Plastic bed liners can slide on the truck bed surface, and the truck camper can slide on top of the bed liner. Using a plastic bed liner or similar compressible material will void your warranty and may additionally cause truck bed and/or camper damage.

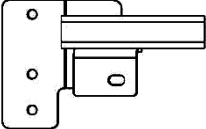
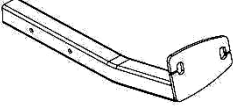

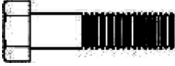


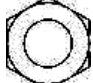
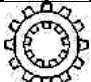





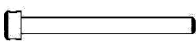
Minor movement or settling can occur in some incidental harsh driving conditions (on or off-road). A rubber bed mat is recommended to protect the truck bed and camper, but is not a requirement to maintain the Torklift legendary lifetime warranty.

Suspension

To significantly reduce body roll, sag and sway Torklift strongly recommends the StableLoad. Torklift International StableLoads improve safety, handling, and to help level your truck. More information can be found at (www.Torklift.com/stableload).

If your truck is additionally equipped with suspension air bags Torklift cautions against over pressurization as this may lead to unsafe vehicle handling characteristics. We have found that airbags used in conjunction with StableLoads have allowed operators to lower air bag pressure by 50% or more. Only pressurize suspension air bags enough to level the truck.

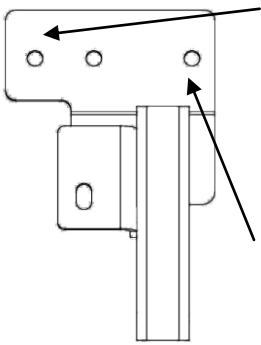
Part Inventory

Image	Description	Quantity
	Tie Down Receiver	2
	Tie Down Insert	2
	Tie Down Clamp Strap	2
	1/2"-13 x 1.5" Hex Bolt Grade 5	4
	1/2" Washer USS Grade 5	8
	1/2" Lock Washer High Alloy	4
	1/2"-13 Hex Nut Grade 5	4
	1/2" Star Washer	2
	1"(2.54cm) x 2"(5cm) Plate Washer	4
	7/16"-14 x 1-1/2" Grade 8 Bolt	2
	7/16" Lock Washer	2
	7/16"-14 Hex Nut	2
	1/2" Bolt Fisher	1
	Snapper Pin	2

Note:

On long bed trucks, the C3215 will sit to the rear of the spring perch bracket.

On short bed trucks, the C3215 will sit to the front of the spring perch bracket.



Long Bed Truck: Driver Side Rear Tie

Down Receiver

Short Bed Truck: Passenger Side Rear Tie

Down Receiver

Starting with the Passenger Side

Note: If the passenger side **Tie Down Receiver** has clearance issues with the exhaust it may be necessary to adjust the Exhaust U-Bracket down to open in order to gain additional clearance.

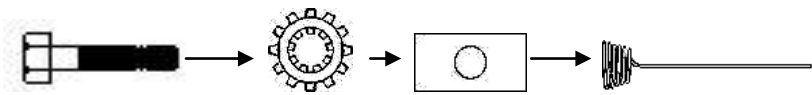
Exhaust U-Bracket to bend open.



Step 1

Starting on the passenger side, locate the rear leaf spring perch. Take one **7/16"-14 x 1-1/2" Grade 8 Bolt** with one **1/2" Star Washer** followed by one **1"(2.54cm) x 2"(5cm) Plate Washer**. Attach this Bolt assembly to a Bolt Fisher. See Figure 1.1 for reference.

Figure 1.1 - Bolt Assembly Order.



Step 2

Fish the Bolt assembly **as one** into the large opening on the backside of the spring perch and through the outside bottom hole on the spring perch. See Photo 2.1 and 2.2.

Note: This bolt fisher assembly will not fish through the hole if each fastener is done individually.

Photo 2.1

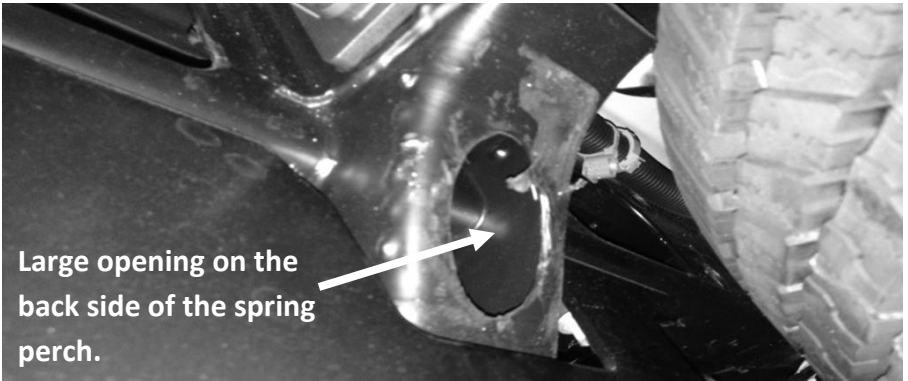
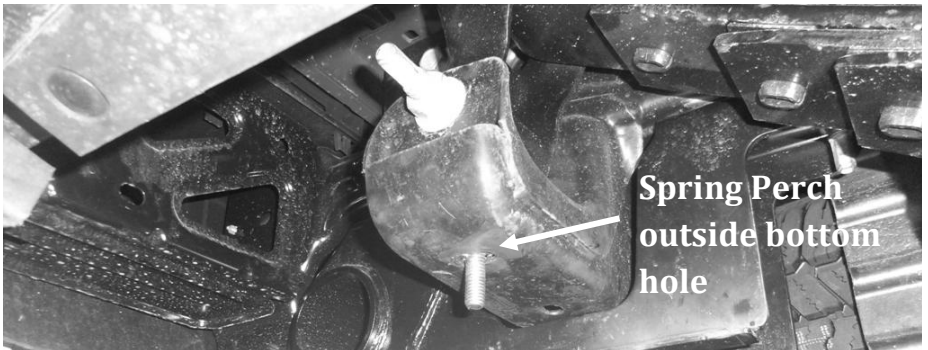


Photo 2.2



Step 3

Lift the passenger side **Tie Down Receiver** up to the factory hitch so the **7/16"-14 x 1-1/2" Grade 8 Bolt** protrudes down from the spring perch and through the slotted hole. See Photo 3.1 for reference.

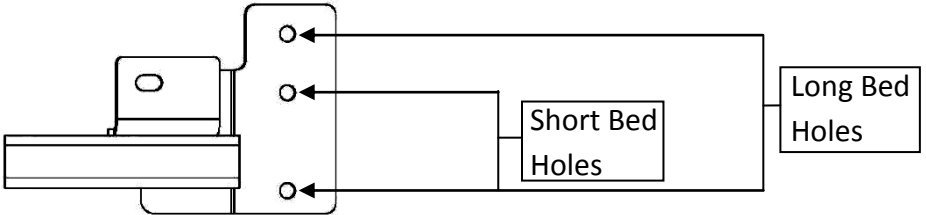
Photo 3.1



Step 4

Secure the **Tie Down Receiver** to the spring perch by fastening one **1"(2.54cm) x 2"(5cm) Plate Washer** followed by one **7/16" Lock Washer** and one **7/16"-14 Hex Nut** onto the **7/16"-14 x 1-1/2" Grade 8 Bolt**, Hand tighten.

If you are installing this Tie Down on a Long Bed Truck, proceed to Step 5 and 6. If you are installing this Tie Down on a Short Bed Truck, Proceed to Step 7 and 8.

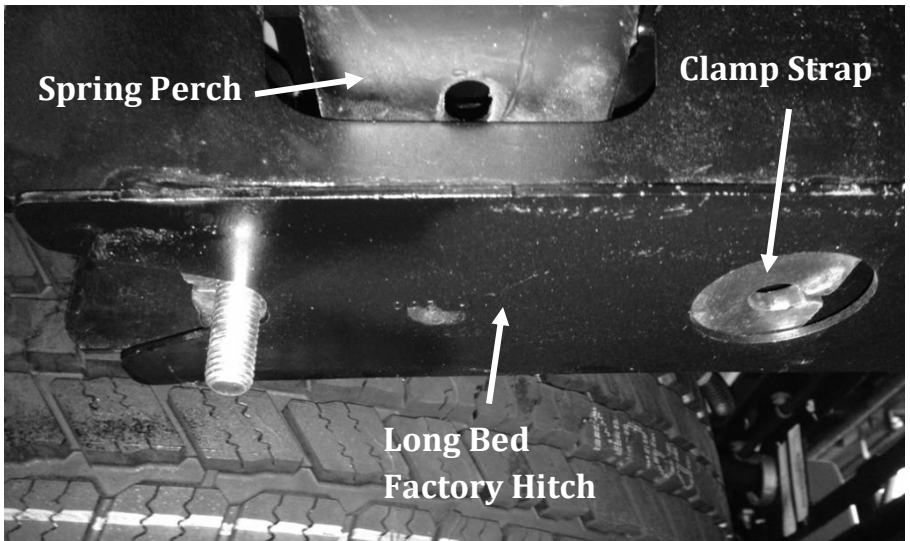


Step 5 - Long Bed

Take one **Tie Down Clamp Strap** and slide it inside the factory hitch.

Align it so that two of the three holes line up with two of the three holes on the **Tie Down Receiver** see photo 5.1 for reference.

Photo 5.1



Step 6 - Long Bed

Install one **1/2"-13 x 1.5" Hex Bolt Grade 5** with one **1/2" Washer**

USS Grade 5 through each of the two holes that are lined up

between the **Tie Down Clamp Strap** and the **Tie Down Receiver**.

Proceed to Step 10 If Long Bed Truck

Step 7 - Short Bed

Take one **Tie Down Clamp Strap** and install one **1/2"-13 x 1.5" Hex**

Bolt Grade 5 with one **1/2" Washer USS Grade 5** through the Center

hole. Slide it inside the factory hitch at a 45° so the bolt head is

angled toward the inside of the truck until the **1/2"-13 x 1.5" Hex**

Bolt Grade 5 can fall through the center hole in the hitch plate and

through the **Tie Down Receiver**.

Note: if the bolt gets caught on the hitch plate, push the bolt up just enough to clear the hitch plate.

Step 8 - Short Bed

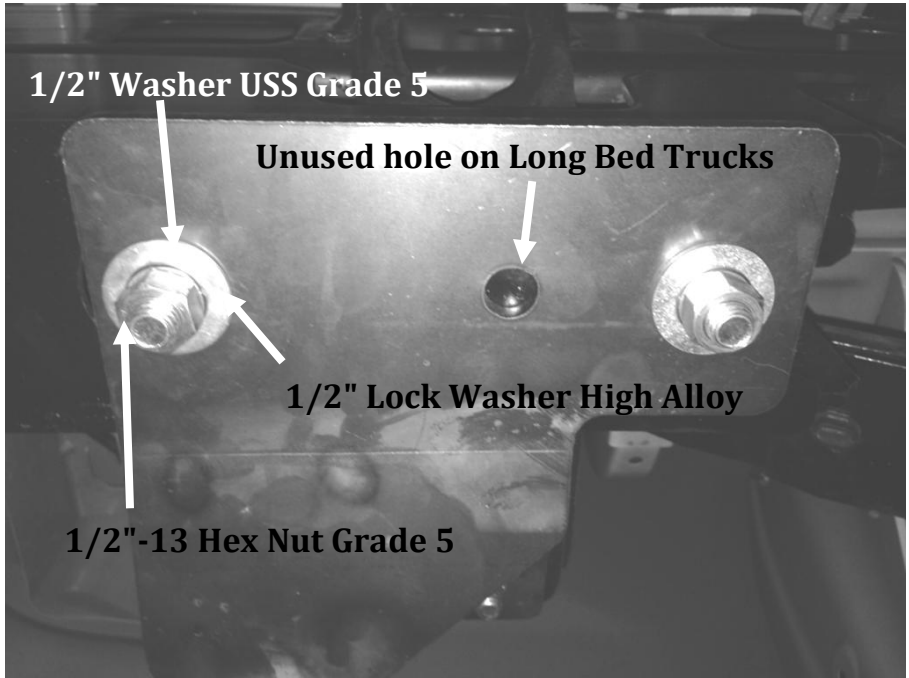
With the **Tie Down Clamp Strap** in place along with the Center **1/2"-13 x 1.5" Hex Bolt Grade 5** and **1/2" Washer USS Grade 5**, install the remaining **1/2"-13 x 1.5" Hex Bolt Grade 5** and **1/2" Washer USS Grade 5** through the next hole that is lined up between the **Tie Down Clamp strap** and **Tie Down Receiver**.

Proceed to Step 10

Step 10

Secure these two **1/2"-13 x 1.5" Hex Bolts Grade 5** with one **1/2" Washer USS Grade 5**, followed by one **1/2" Lock Washer High Alloy**, and one **1/2"-13 Hex Nut Grade 5** onto each **1/2"-13 x 1.5" Hex Bolt Grade 5**. Hand Tighten. See photo 10.1 for reference.

Photo 10.1 - Long Bed Truck



Step 11

Repeat Steps 1 through 10 for the driver side.

Step 12

Torque all 1/2" hardware to **70 ft- lbs (95 Nm)**.

Torque all 7/16" hardware to **50 ft-lbs (81 Nm)**.

Step 13

Install the **Tie Down Inserts** into the **Tie Down Receivers**. The plate on the end of the **Tie Down Inserts** should be offset towards the rear of the vehicle, with the mounting holes on the plate located above the tube.

Secure the **Tie Down Inserts** with a **Snapper Pin**. Either hole in the **Tie Down Insert** can be used as long as the turnbuckle has adequate clearance around the body of the truck.

TIEDOWN INSERT INSTALLATION INSTRUCTIONS

On one end of each of your tie down inserts is a triangular plate referred to by Torklift as a bullet plate. In most cases, the tie down inserts should be installed with the shorter side of the bullet plate facing away from each other (The shorter side of the front insert should point to the front of the truck and the shorter side of the rear insert should point towards the rear of the truck).



DRIVERS SIDE FRONT



DRIVERS SIDE REAR

Once installed, attach the TorkLift directional stickers to the face of the bullet plate on the insert as a reminder.

IMPORTANT NOTE: *Your tie down inserts are designed to have clearance inside of the receiver. This is to account for road debris, as well as aid in installation and removal. Some rattle may be expected if the inserts are left installed while not under load from the camper.*

INSTRUCTIONS FOR FINISH MAINTENANCE
OF TORKLIFT PRODUCTS

POWDER COATED STEEL:

To keep your Torklift products looking good follow these guidelines. All steel powder coated Torklift products are sandblasted for maximum adhesion and use a high quality industrial urethane based powder coat. Due to the extreme, harsh, undercar environment that your Torklift products live in, (consistently sprayed with corrosive road chemicals such as salt, and road debris), Torklift does not warranty the power coated finish.

To minimize corrosion from these factors on powder coated steel products, Torklift recommends regularly cleaning and inspecting the powder coated surface and touching up any affected areas with an enamel or urethane based aerosol paint product. If there are any areas of surface rust, there are also aerosol spray rust converters available on the market that can be used as a preparation to touch-up paint application. These finish maintenance products are available at any automotive parts supplier.

POLISHED STAINLESS STEEL :

TorkLift utilizes quality grade 304 stainless steel in our stainless steel polished products. 304 stainless steel is well known for its anti-corrosive properties. However, in some environments such as coastal regions or when coming in contact with some road chemicals, corrosion may occur. For a quick clean simply use WD40 and a cloth rag. We also recommend occasional polishing of our polished stainless products to maintain their attractive finish. Use an approved stainless steel chrome or aluminum mag wheel polish cleaning product which can be purchased from any automotive parts supplier.

Torklift International Limited Lifetime Warranty Information

322 Railroad Ave North, Kent, WA 98032

Torklift will require proof of purchase to register, with pictures of any defective product before issuing a replacement. Torklift will not register any product without proof of purchase, which can be faxed, scanned, emailed, or mailed to the information provided below.

Torklift warrants its hitches, custom hitch receivers, frame mounted tie downs, turnbuckles, and accessories (excluding wire harnesses which carry a 90 day warranty) from date of purchase against defects in material and workmanship under normal use and service for the ownership life of the original consumer purchaser. **ALL**

COMMERCIAL APPLICATIONS ARE WARRANTED FOR A PERIOD OF 90 DAYS FROM THE DATE OF

INSTALLATION/SERVICE. Torklift will replace FREE OF CHARGE any part which proves defective in material or

workmanship when presented to Torklift, TRANSPORTATION CHARGES PREPAID by purchaser, at the address above. THIS WARRANTY IS LIMITED TO DEFECTIVE PARTS

REPLACEMENT ONLY. LABOR CHARGES AND/OR DAMAGE INCURRED IN INSTALLATION OR REPLACEMENT, AS WELL AS INCIDENTAL AND CONSEQUENTIAL DAMAGES

CONNECTED THEREWITH ARE EXCLUDED. This warranty does not include the finish or paint on our products. Rusting, cracking or peeling of the finish is also excluded. Some states do not allow the exclusion or limitation of incidental or consequential damages, so the above limitation or exclusion may not apply to you. Any damage to Torklift products as a result of misuse, abuse, neglect, accident, improper installation or any use violative of

instructions furnished by Torklift or WHEN USED IN ANY COMMERCIAL APPLICATION WILL VOID THE WARRANTY.

This warranty gives you specific legal rights, and you may also have rights which vary from state to state. With warranty service, you may be able to go to a small claims court, a state court or a federal district court.

322 Railroad Ave North, Kent, WA 98032
Phone (800) 246-8132 Fax (253) 854-8003
Or visit our website: www.TorkLift.com

Dear Valued Customer,

Thank you for making TorkLift your choice for truck, camper packages and accessories for your vehicle. By choosing TorkLift products, you have chosen a company that has been serving the RV industry for nearly 40 years and whose name has become synonymous with strength, quality and advanced design and installation.

Please take a few moments of your time to complete the Product Registration Warranty Card on the next page. When registering your newly purchased TorkLift products, you can be assured that your contact information is secure and that you and your product are getting the attention and respect that you deserve.

Thank you again for choosing TorkLift quality products.

Register for your lifetime warranty and receive a free Torklift International gift.

To Fax: Send copies of the questionnaire, warranty card and receipt to
253-854-8003

To E-mail: Send copies of the questionnaire, warranty card and receipt to
warranty@torklift.com

To Mail: Send to Torklift International **322 Railroad Ave North, Kent, WA 98032**



OFFICIAL WARRANTY REGISTRATION CARD

PLEASE FILL OUT THIS FORM COMPLETELY AND RETURN TO TORKLIFT WITHIN

30 DAYS OF PURCHASE ACCOMPANIED BY A COPY OF YOUR ORIGINAL RECEIPT

1. PART(S) PURCHASED

TODAY'S DATE: _____

PART #: _____ PART #: _____

PART #: _____ PART #: _____

PART #: _____ PART #: _____

2. PURCHASER INFORMATION

NAME: _____

ADDRESS: _____

CITY: _____ STATE: _____ ZIP / POSTAL CODE: _____

PHONE: (____) _____ - _____ EMAIL: _____

3. TRUCK INFORMATION

YEAR: _____ MAKE: _____

MODEL: _____ BED LENGTH: _____

4. CAMPER INFORMATION

YEAR: _____ MAKE: _____ MODEL: _____

5. DEALER INFORMATION

PURCHASED FROM: _____

ADDRESS: _____

CITY: _____ STATE: _____ ZIP / POSTAL: _____

INSTALLED BY: _____ OWNER ABOVE DEALER ANOTHER DEALER

IF ANOTHER DEALER, WHO: _____