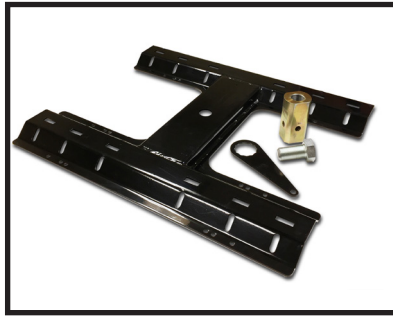


# Installation Instructions

## CAG-FO & CAG-BW

5th wheel base plate for adapting to underbed gooseneck hitch.

[www.popuphitch.com](http://www.popuphitch.com)



Revised 9-14-17



4330 S. Johnson Rd.  
Chanute, KS 66720  
800-837-8578  
[info@popuphitch.com](mailto:info@popuphitch.com)

### CAUTION:

**WARNING:** Verify adequate trailer swing clearance between trailer nose and cab of truck, and trailer and rear of truck.

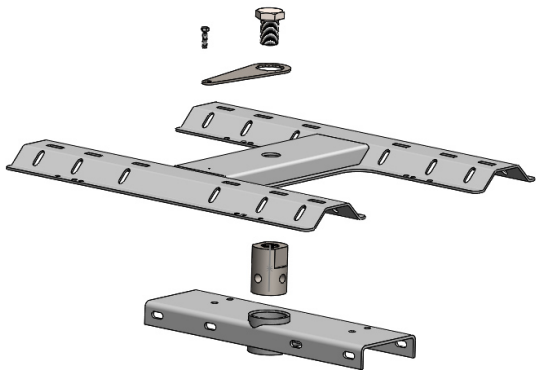
**WARNING:** Verify all connection points are tight and secure, do NOT exceed weight ratings. 20,000 lbs GWR.

Rules and regulations may vary from state to state, make sure you obey all towing laws.

## Model CAG-FO & CAG-BW

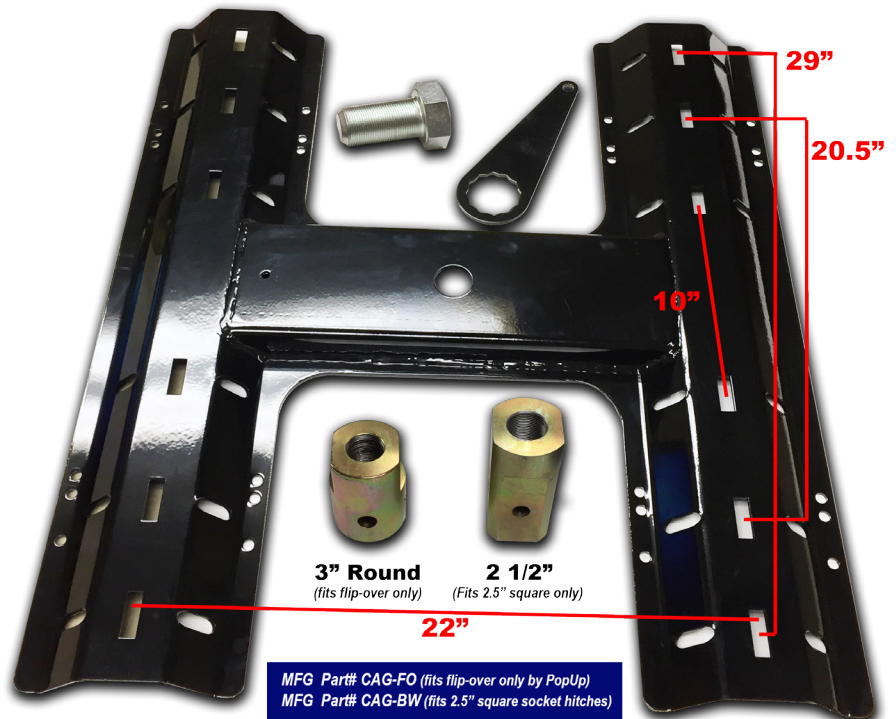
**NOTE:** Make sure mounting feet on your 5th wheel hitch fits the universal rail measurements, not all 5th wheel hitches are compatible.

1. Remove existing ball from the hitch socket and store away in safe place. Now insert the provided post into the socket and make sure it locks into place and is secure in the hitch socket.
2. Place the base plate over the top of the post you just secured and insert the large fastener bolt into the post and tighten until good and snug (50 ft. lbs.). Once the fastener bolt is tight, place supplied handle over the bolt and line the end of the tightening tool up with the small threaded hole and insert the 3/8" bolt and tighten down to 23 ft. lbs. This will secure the tool in place and prevent the bolt from backing out during normal use.
3. The install of the base plate should now be completed. Its now time to install your 5th wheel upper unit onto the rails and



### Hardware Provided

- 1 - Mounting Post
- 1 - Large fastener bolt - Torque to 50 ft. lbs.
- 1 - Bolt tightening tool
- 1 - 3/8" bolt - Torque to 23 ft. lbs.
- 1 - 3/8" washer
- 4 - 1/2" x 5" bent pins w/clips



Model Numbers CAG-FO or CAG-BW  
Gross Trailer Weight: 20,000 lbs.  
Gross Trailer Tongue Weight: 6,000 lbs.

Please call or email with questions.  
Call us at 800-837-8578 or  
email us at [info@popuphitch.com](mailto:info@popuphitch.com)