

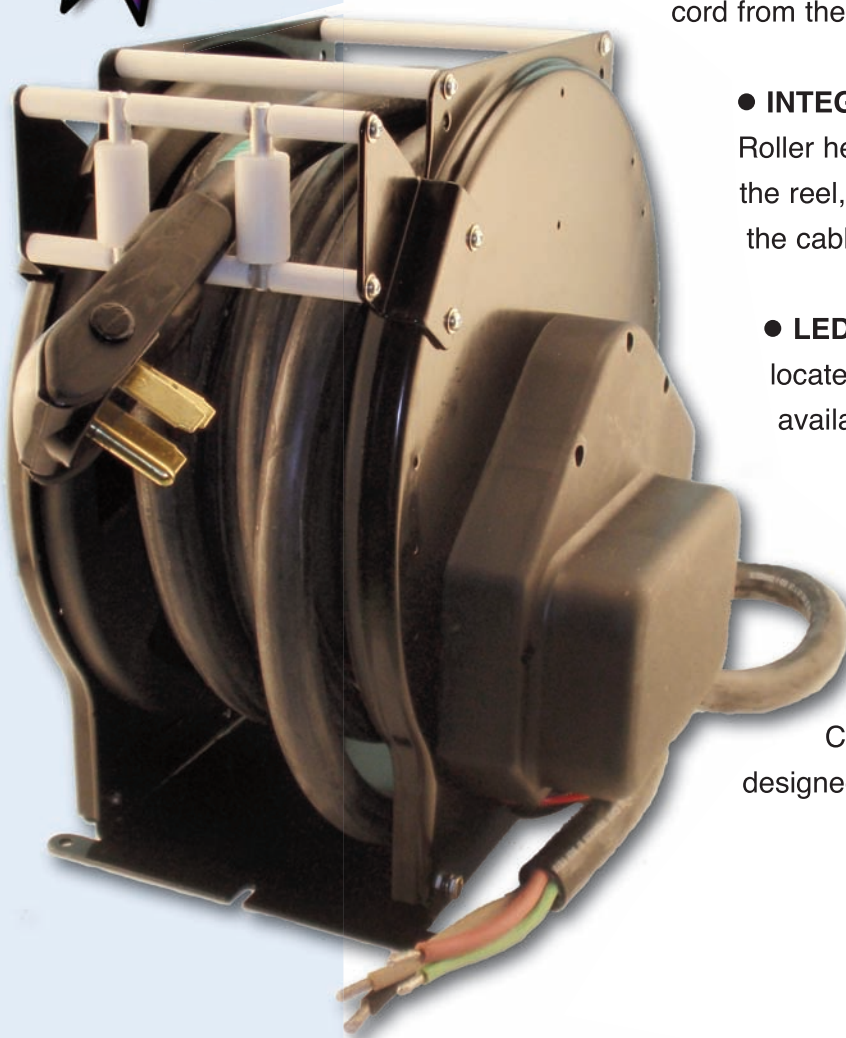


# CABLEMASTER™

## Model CRR-50

Retract and store your power cord with ease!

- **EASY TO USE** — Simply pull out the amount of power cord you need to make your connection. Push the button and the Cablemaster™ will quietly retract and store the power cord on the reel.
- **“ZERO EFFORT” PULL-OUT FORCE** — Our unique drive motor mechanism (patent pending) disengages itself when the cable is extended. No heavy pulling!
- **“EZ OUT” PLUG** — Our molded power plug comes with an integrated handle which allows you to easily disconnect the power cord from the campsite receptacle.

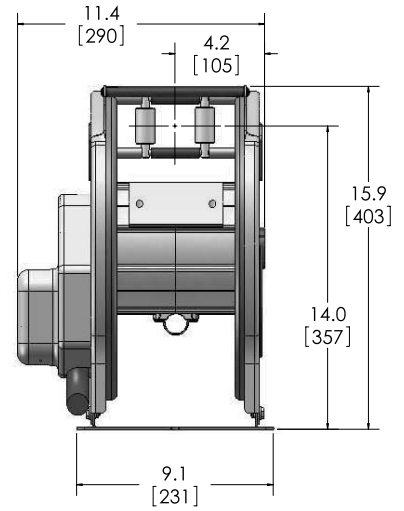
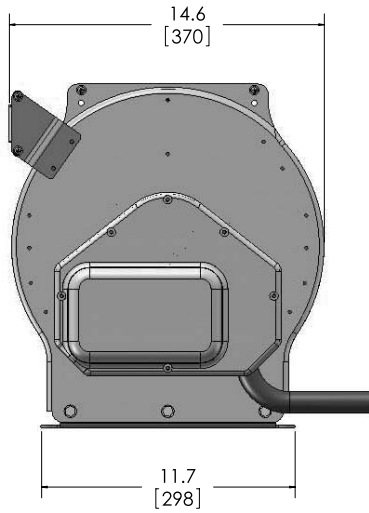


- **INTEGRATED GUIDE ROLLER** — The Guide Roller helps guide the cable as it is retracted on the reel, as well as providing a positive stop when the cable is fully retracted.
- **LED POWER INDICATOR** — Conveniently located on plug, let's you know that power is available to the cord.
- **COMPACT STORAGE** — Store 36-feet of 50 amp power cord in the smallest possible area.
- **ROBUST DESIGN** — The Cablemaster™ product line is specifically designed to last!

***“Extend . . . Retract . . . Relax!”***

## CABLEMASTER™ — MODEL CRR-50 SPECIFICATIONS

**VOLTAGE:** .....12 VDC  
**OPERATING CURRENT:**.....5-7 amps nominal  
                                   15 amp peak load  
**CABLE SIZE:**.....50amp  
**CABLE SPECIFICATION:**.....6/3 & 8/1  
                                   SOW 90°C rating  
                                   includes molded plug with  
                                   LED power indicator &  
                                   molded plug with EZ-Out Lever  
**CABLE LENGTH:** .....36 feet  
**WEIGHT:** .....48 lbs.  
                                   (including 36 ft. of  
                                   6/4 power cable)  
**CERTIFICATIONS:**.....tested to comply  
                                   with UL standard 355  
                                   tested for ignition protection



Part No.	Description	Cord Length
04380-12	Cablemaster™ — Model CRR50 • Includes control switch with 3 foot wire • Includes power connection “pigtail” to transfer switch (3 feet)	36 feet

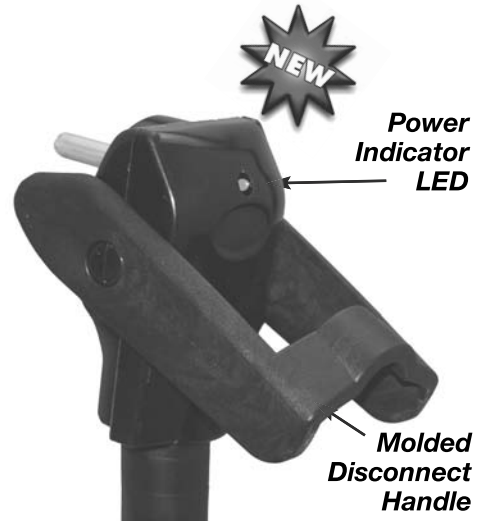
**Each CRR-50 Cablemaster™ includes our unique EZ Out plug.**



Pull out as much power cord as you need to reach the receptacle



When ready to depart, lift up on handle and pull plug from receptacle



### OPTIONAL FEATURES / ACCESSORIES:

- **Pre-wired power cord for connection between cord reel and AC transfer switch** — this option provides a length of power cord that is pre-terminated to the cord reel, which can then be used for connecting to the A/C power transfer switch. A 3 foot connection wire is provided with the standard unit. This wire can be lengthened as necessary, on an optional basis.
- **Control switch wire length** — A 3 foot wire between the cord reel and control switch is provided as a standard feature. A longer wire can be provided as necessary, on an optional basis



For more information, contact our sales engineer or your local dealer today!

740 Century Circle  
Conway, SC 29526

Phone: (843) 399-6146  
Fax: (843) 399-5005



**MADE IN THE USA**

[www.glendinningprods.com](http://www.glendinningprods.com)  
SML-CRR50-BROC v2.0