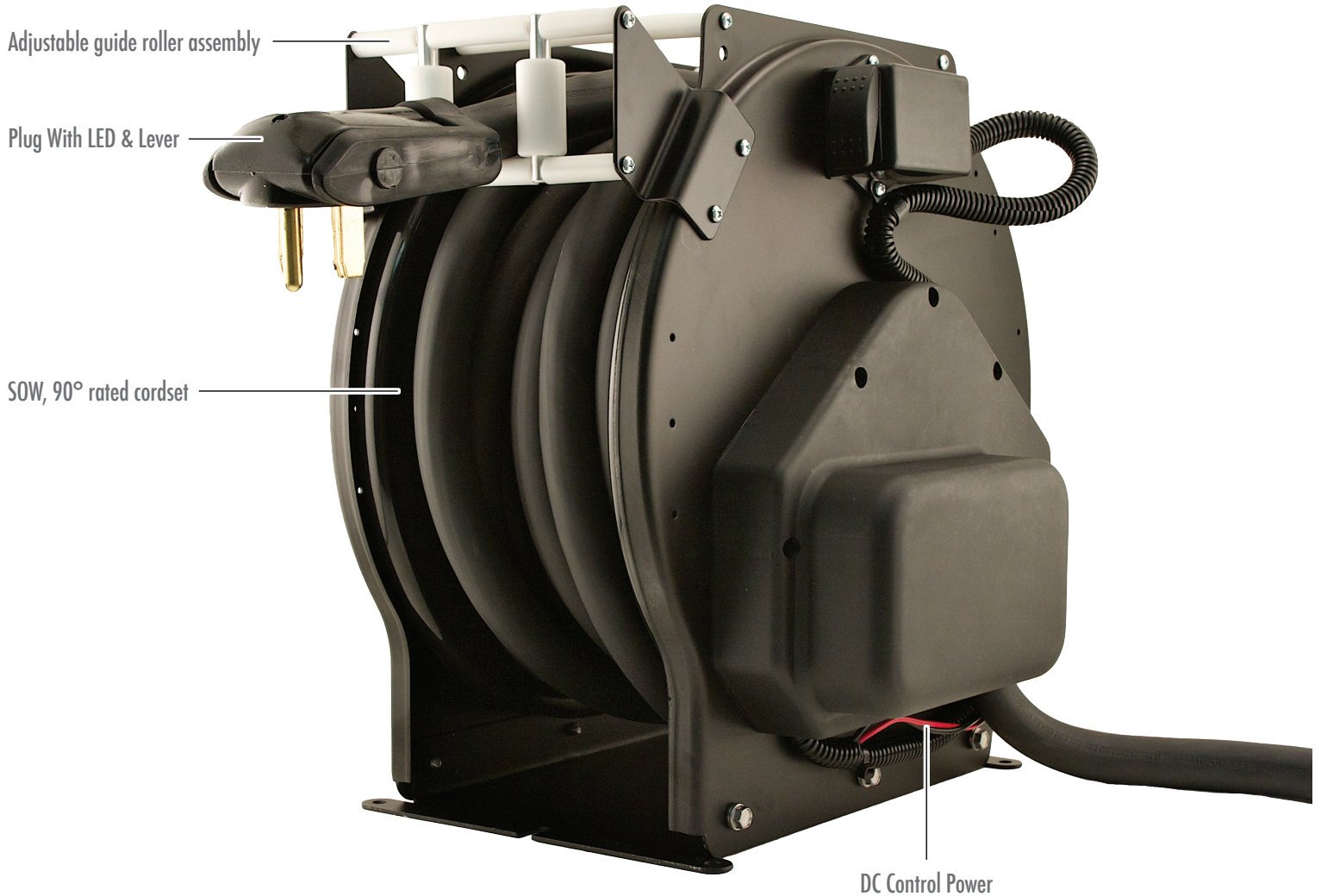




CABLEMASTER CRR-50 MANUAL

INSTALLATION & OPERATION INSTRUCTIONS



BEFORE INSTALLING THE CABLEMASTER™ CRR-50

- Identify the compartment where the Cablemaster will be installed.
- The Cablemaster **must be** installed in an area that is sheltered from the elements.
- For proper operation of the Cablemaster the power cord must exit straight, up, or down from the unit or form a gentle radius for cables exiting 90° from the front plane from the adjustable guide roller assembly.
- Measure the compartment to ensure there is enough space for the Cablemaster.
- Make sure that a 3-1/2" space (minimum) is allowed for electrical connections on the pigtail side of the Cablemaster.
- See dimensions on page 2

THIS DEVICE IS FOR MOBILE HOME AND RECREATIONAL VEHICLES. USE 50 AMPERES

STEP 1**Mount Cablemaster (fig. 1)**

The Cablemaster comes with a mounting bracket for easy installation of the unit. Install the mounting bracket using bolts or screws (installer supplied) fastening the bracket to the floor, wall, or top of the compartment. The bracket has four mounting feet on each corner and slotted intermediate mounting points for difficult mounting locations.

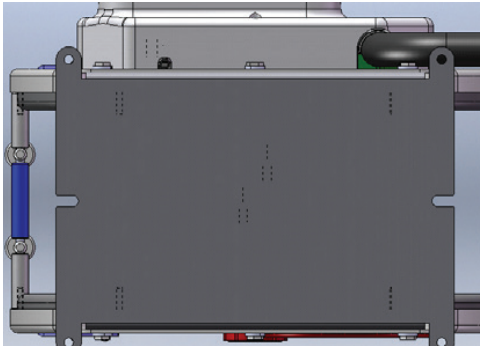


Fig. 1

STEP 2**Connect AC power to unit**

All wiring should be done in accordance with appropriate RV standards. If you are unsure of these standards, consult a qualified electrician. Ensure that no AC power is applied to unit during this step.

Failure to wire correctly may result in death, injury or damage to persons, RV or unit.

Attach appropriate terminals to each wire and attach to the junction box. Allow enough length of free wire to ensure good connection to power distribution center. Ensure that when stripping green, white, red, and black jacketed wires you do not break lose any copper conductors. Crimp terminals with appropriate crimper designed to handle terminals of this size.

Terminal note: 3 connectors should be sized for #6 awg for the white, red, and black wires 1 connector should be sized for #8 awg for the green wire

STEP 3**Connect DC power to unit**

Before proceeding, disconnect the 12v DC power source!

All wiring should be done in accordance with the instructions contained in the national electrical code. If there is any uncertainty as to the proper methods of wiring, a qualified and competent electrician should do the wiring. Refer to the wiring diagram on the opposite page for your Cablemaster model. Connect the red wire to battery positive (+) and the black wire to the battery negative (-). The DC power should be fused for 20 amps.

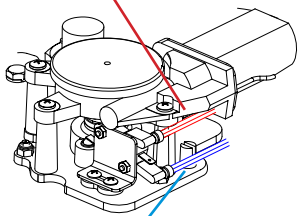
STEP 4**Install control switch**

If your unit was supplied with a switch box assembly, mount this assembly in any convenient location using 2 - #8 style wood screws or other that accommodates the mounting surface in use.

For convenience and ease of operation, the momentary on control switch should be mounted near a location where the power cable exits the RV. Remove the two (2) screws which hold the momentary on power switch and switch cover plate to the Cablemaster. Route the wiring to the appropriate position near the exit of the power cable as outlined above.

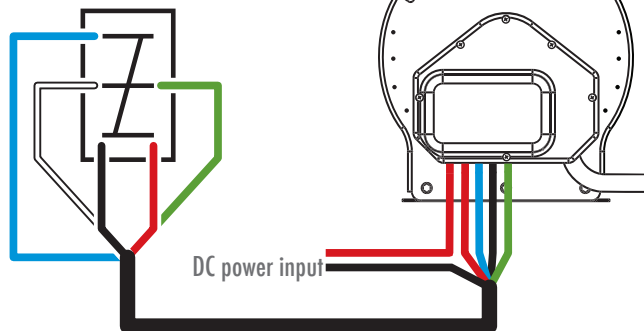
STANDARD WIRING

Red wire attaches to top contact

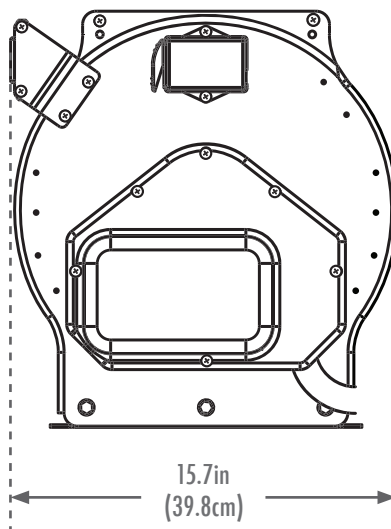
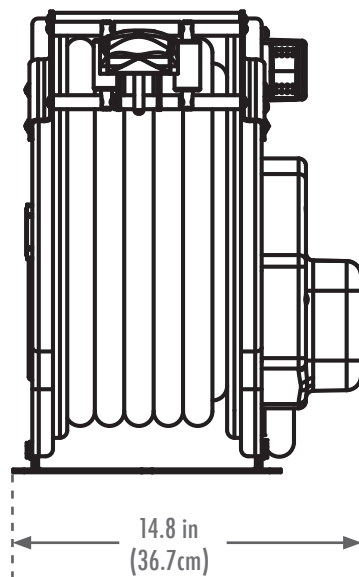
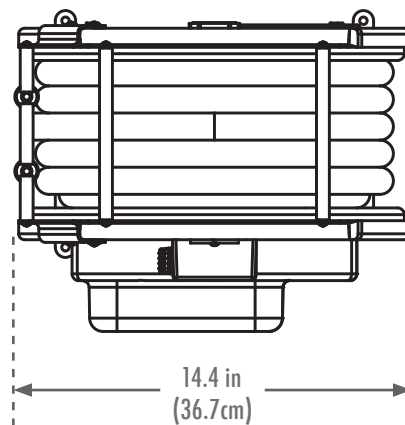


Blue wire attaches to bottom contact

DPDT no center momentary switch (rear of switch cover)



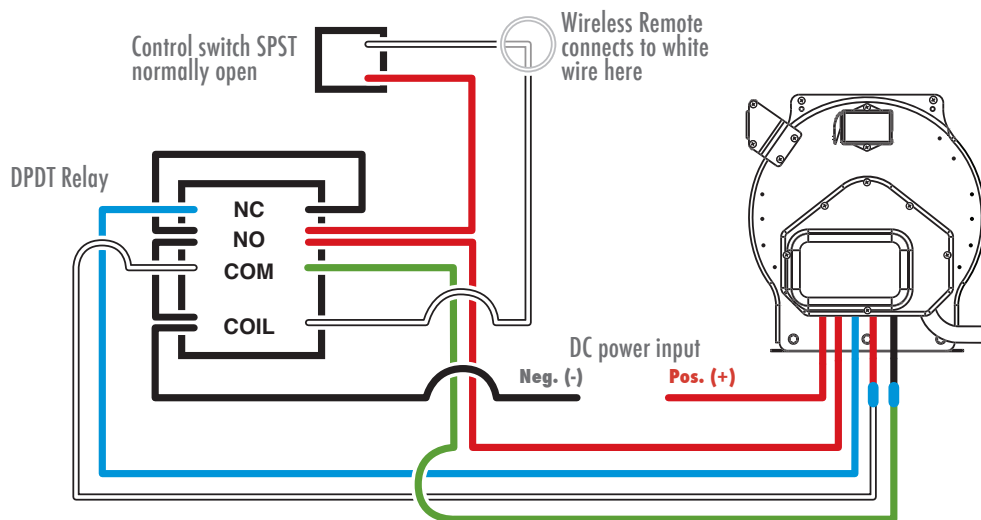
DIMENSIONS



RELAY OPTION

Relay option allows you to use

- Standard SPST switch (normally open)
- Wireless Remote Control (GMP Part #04155)
- Relay assembly is mounted under motor cover strapped to gear motor



THIS DEVICE IS FOR MOBILE HOME AND RECREATIONAL VEHICLES. USE 50 AMPERES

AC RECEPTACLE NOTES

Fig. 2 is a diagram of the AC receptacle and indicators of conductor color for reference. Note that "G" (green) is ground and "W" (white) is neutral. "X" and "Y" (red and black) are hot wires and are interchangeable.

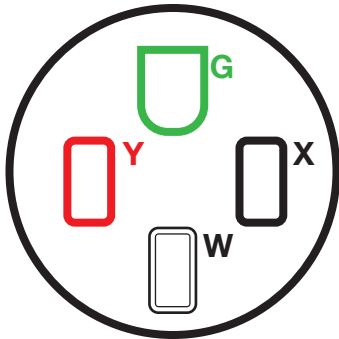


Fig. 2

OPERATION INSTRUCTIONS

To extend the power cord:

- Pull out sufficient cord length that will allow you to route shore power cord to the electrical distribution box and plug the molded end into the receptacle.

To retract the power cord:

- Detach plug from receptacle using lever on plug.
- Press and hold the button and the power cord will automatically retract (**CAUTION — it is advisable to monitor the progress of the power cord as it retracts and stores onto the reel.**)

MAINTENANCE

- Experience has shown that when only a short section of power cable is regularly used, the cable may be subject to "kinking". To relieve this condition, routinely extend the power cable completely and stretch it on any smooth surface. Allow the Cablemaster to retract the cable onto the reel. At least once a year, inspect all AC and DC wiring connections and make sure they are free of corrosion and connections tight.
- Periodically inspect the exterior jacket of the power cable for nicks or cuts. If your power cable is dirty any cleaner should be compatible with the outer jacket material of the power cable. If needing to replace power cordset use only 90°C minimum rated cordsets and ensure that the outside diameter of the new cordset does not exceed that of the factory supplied cordset. Maximum cordset length is 36'[11.0M].

THIS DEVICE IS FOR MOBILE HOME AND RECREATIONAL VEHICLES. USE 50 AMPERES

LIMITED WARRANTY

Product(s) covered by this *LIMITED WARRANTY*: Cablemaster™ - Model CRR-50

1. Glendinning Products LLC warrants to the original consumer purchaser that the Cablemaster™ - Model CRR-50 will be free from defects in material and workmanship under normal use and service for a period of one (1) year from the date of purchase.
2. This *LIMITED WARRANTY* applies to defects in material and workmanship. It does not apply to chrome plated, painted, or anodized finish or to power cable damage caused by inadequate cable storage area or installation not in accordance with Glendinning Products LLC specifications.
3. This *LIMITED WARRANTY* is void if the product has been damaged by accident or unreasonable use, neglect, improper installation, or other causes not arising out of defects in material or workmanship.
4. To obtain performance of this *LIMITED WARRANTY* obligation the original purchaser should contact Glendinning Products LLC. For instructions concerning removal and shipping of the defective component. Upon compliance of the foregoing procedure all warranted defects will be repaired, or at Glendinning Products LLC. Option, the complete unit replaced and returned to the consumer, shipping charges prepaid.
5. Glendinning Products LLC Does not assume the costs of removal and/or installation of the product or any other incidental costs which may arise as a result of any defect in materials or workmanship.

This warranty is in lieu of all other express warranties. Any warranty implied by law including warranties of merchantability or fitness, is in effect only for the duration of the express warranties set forth in the first paragraph above. No representative or person is authorized to give any other warranty or to assume for Glendinning Products LLC. Any other liability in connection with the sale of its products. Glendinning Products LLC will not be liable for any consequential damages resulting from the use or installation of its products.