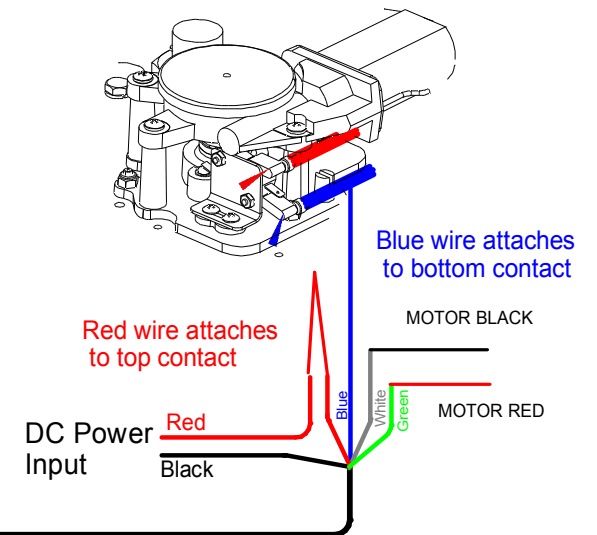
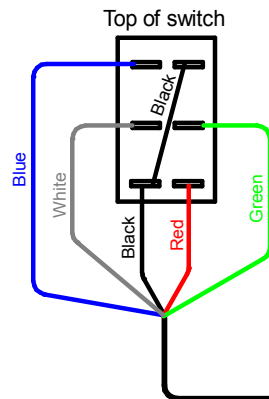


HoseMaster - Wiring Configuration

Standard Wiring

DPDT no center momentary switch (rear of switch shown)

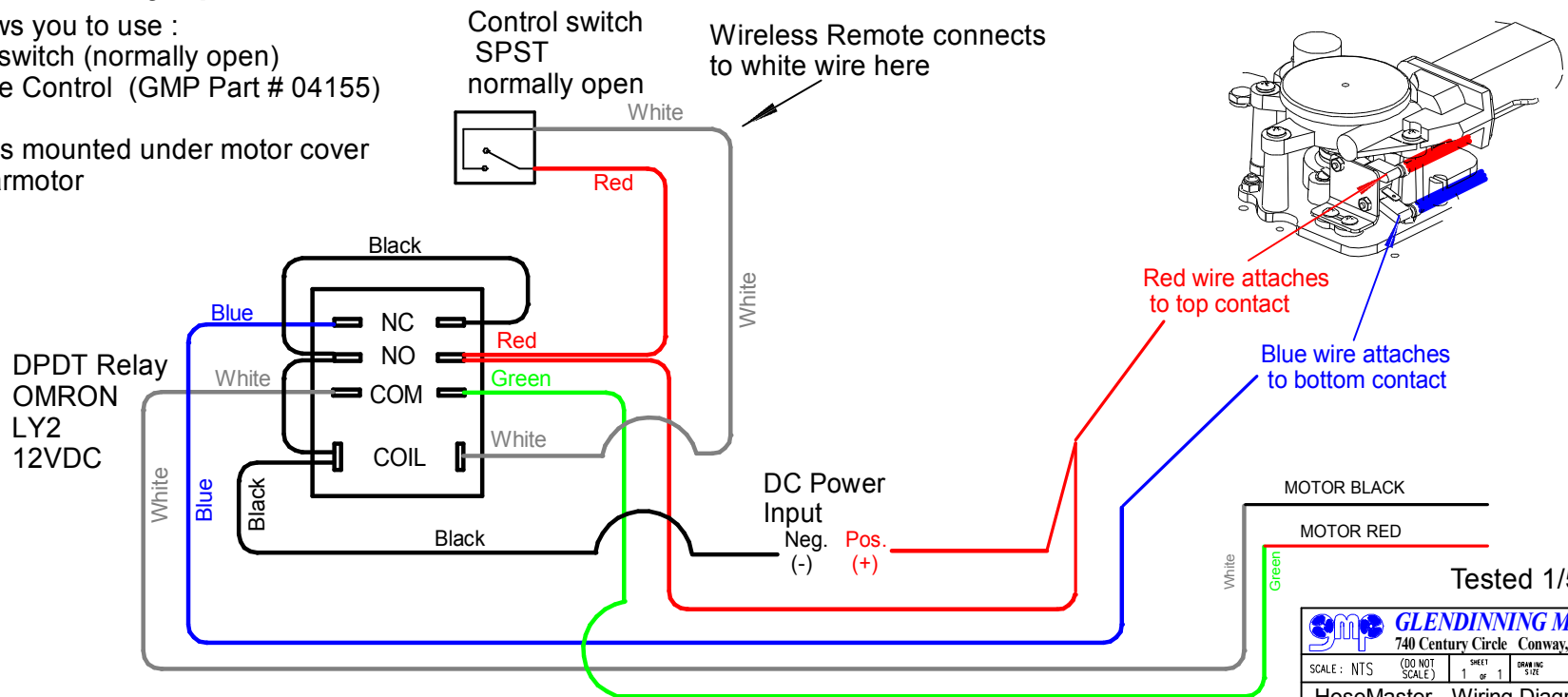


HoseMaster - with Relay Option

Relay option allows you to use :

- standard SPST switch (normally open)
- Wireless Remote Control (GMP Part # 04155)

- relay assembly is mounted under motor cover strapped to gearmotor



Tested 1/5/11

| | | | |
|---|----------------|--------------|--------------|
| GLENNING MARINE 740 Century Circle Conway, SC 29526 | | | |
| SCALE : NTS | (DO NOT SCALE) | SHEET 1 of 1 | DRAWING SIZE |
| HoseMaster - Wiring Diagram v1 | | | |
| Drawn By : MMR | Date : 5/31/12 | Rev . | |