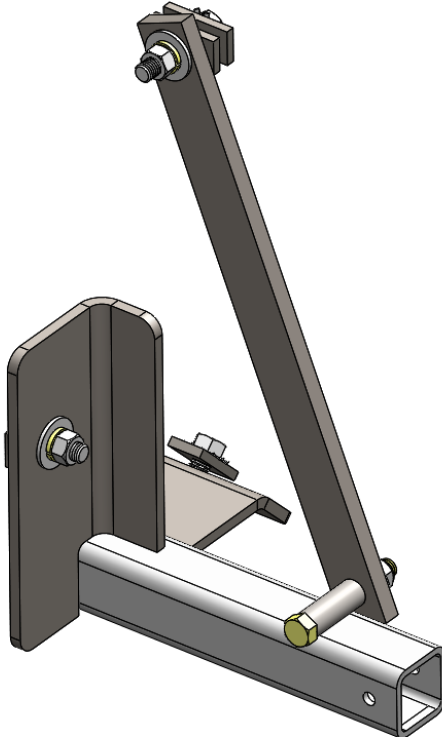


TORKLIFT **INTERNATIONAL**

**OVER 35 YEARS OF INNOVATION, QUALITY, SAFETY.
IMPORTANT OWNER-OPERATOR INSTALLATION INSTRUCTIONS**

D2121



Version 8 BY:DSK (11/17/2015)

TECH SUPPORT (800) 246-8132

**AFTER INSTALL, PLEASE GIVE
THIS BOOKLET TO YOUR CUSTOMER**

Warnings

Truck Bed and Camper Protection

Torklift **does not** recommend installing your camper on top of a plastic bed liner (or other compressible material such as foam). These materials can act as a spring, causing increased vertical truck camper movement independent of the vehicle. Plastic bed liners can slide on the truck bed surface, and the truck camper can slide on top of the bed liner. Using a plastic bed liner or similar compressible material will void your warranty and may additionally cause truck bed and/or camper damage.

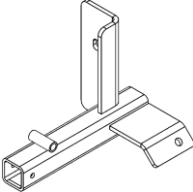
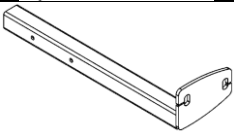
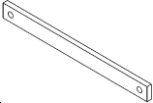

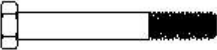




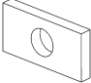



Minor movement or settling can occur in some incidental harsh driving conditions (on or off-road). A rubber bed mat is recommended to protect the truck bed and camper, but is not a requirement to maintain the Torklift legendary lifetime warranty.

Suspension

To significantly reduce body roll, sag and sway Torklift strongly recommends the StableLoad. Torklift International StableLoads improve safety, handling, and to help level your truck. More information can be found at (www.Torklift.com/stableload).

If your truck is additionally equipped with suspension air bags Torklift cautions against over pressurization as this may lead to unsafe vehicle handling characteristics. We have found that airbags used in conjunction with StableLoads have allowed operators to lower air bag pressure by 50% or more. Only pressurize suspension air bags enough to level the truck.

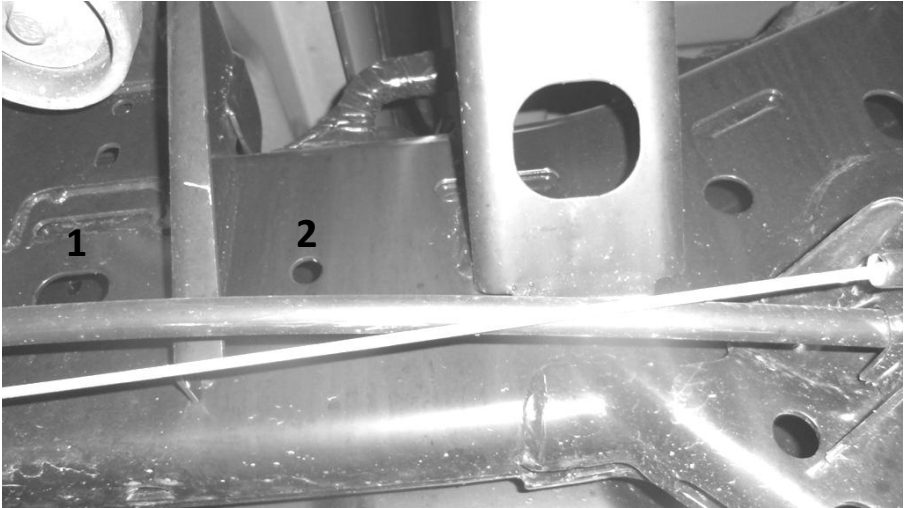
Parts Inventory

Item Image	Item Description	Quantity
	Tie Down Receiver (Driver Side Shown)	2
	Straight Tie Down Insert	2
	Tie Down Support Strap	2
	1/2"-13 x 1.75" Grade 5 Hex Bolt	4
	1/2"-13 x 3.5" Grade 8 Hex Bolt	2
	1/2"-13 x 2.5" Grade 5 Hex Bolt	2
	1/2"-13 Grade 5 Hex Nut	8
	1/2" USS Flat Washer	8
	1/2" Lock Washer	8
	1"x2" Plate Washer	8
	1/2" Star Washer	6
	1/2" Bolt Fisher	1
	Bail / Snapper Pin	2

Step 1:

Begin on the driver side of the vehicle and identify the section of frame directly beneath the gap between the cab and truck bed.

Photo 1.1

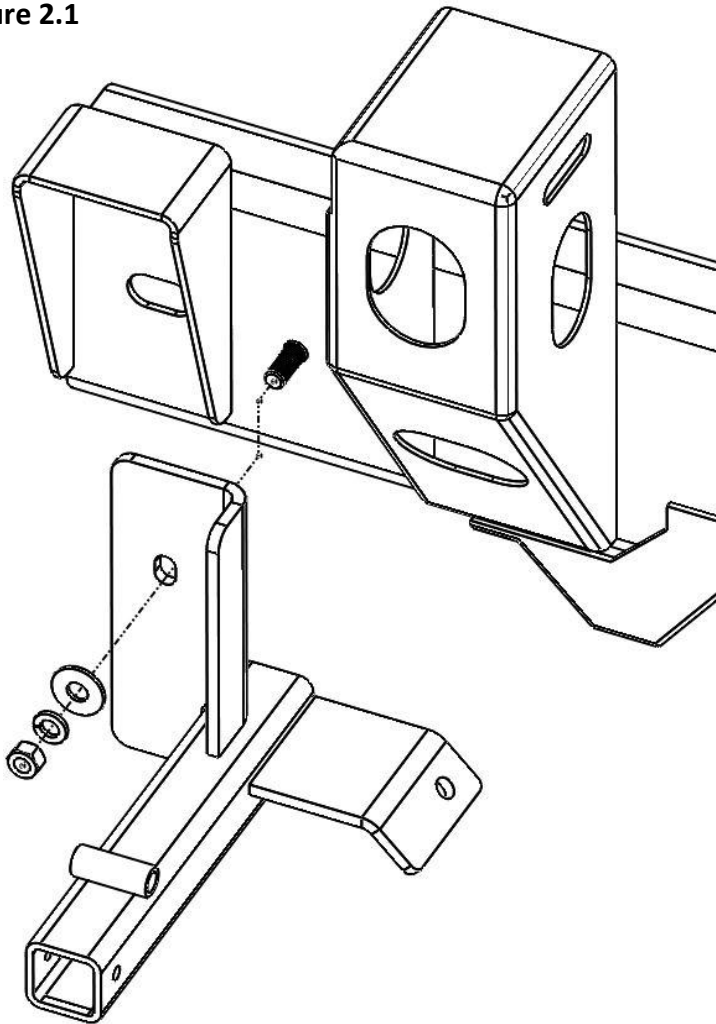


Insert the coiled end of the bolt fisher into hole **2** and out through hole **1** in the photo above. Assemble one **1/2" star washer** and one **1"x2" plate washer** under the head of a **1/2"-13 x 1.75" Hex Bolt**. Use the bolt fisher to pull the bolt assembly back through hole **2** in the frame. Leave the bolt fisher attached to the threads protruding from the frame.

Step 2:

Lift the driver side **tie down receiver** up behind the parking brake cables and in front of the frame. Thread the loose end of the bolt fisher through the hole in the tie down receiver plate, and pull the bolt through the hole as you lift the receiver up and flush to the frame. Now carefully remove the bolt fisher and install one **1/2" flat washer**, one **1/2" lock washer**, and one **1/2" hex nut** onto the threads and hand tighten. Reference Figure 2.1 on the following page.

Figure 2.1



Step 3:

Install one **1/2"-13 x 1.75" hex bolt** with one **1/2" star washer** and one **1"x2" plate washer** down through the hole in the rear trailing arm mount and corresponding hole in the **tie down receiver** as shown. Reference figure 3.1 and secure with one **1/2" flat washer**, one **1/2" lock washer**, and one **1/2" hex nut**, leaving hand tight at this time.

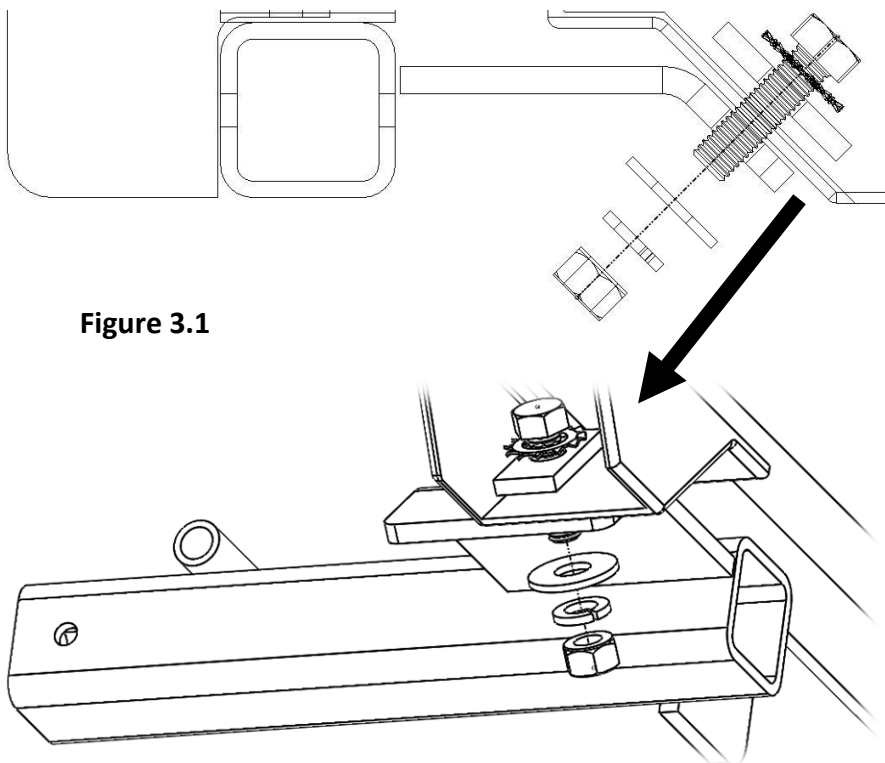
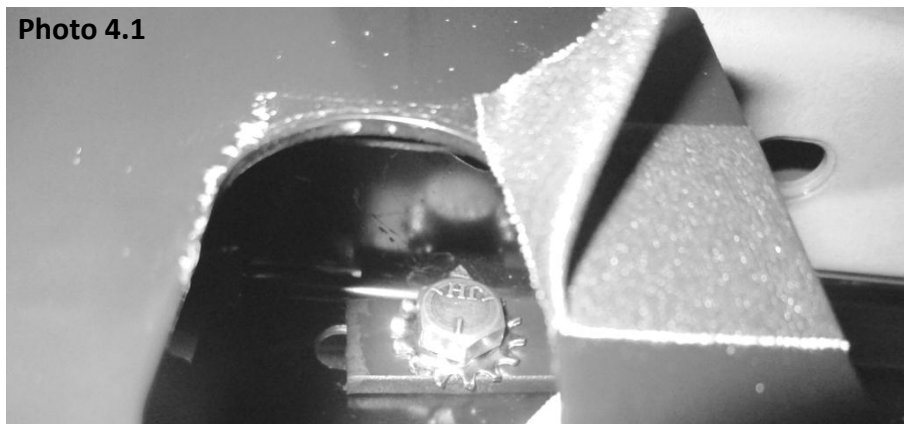


Figure 3.1

Step 4:

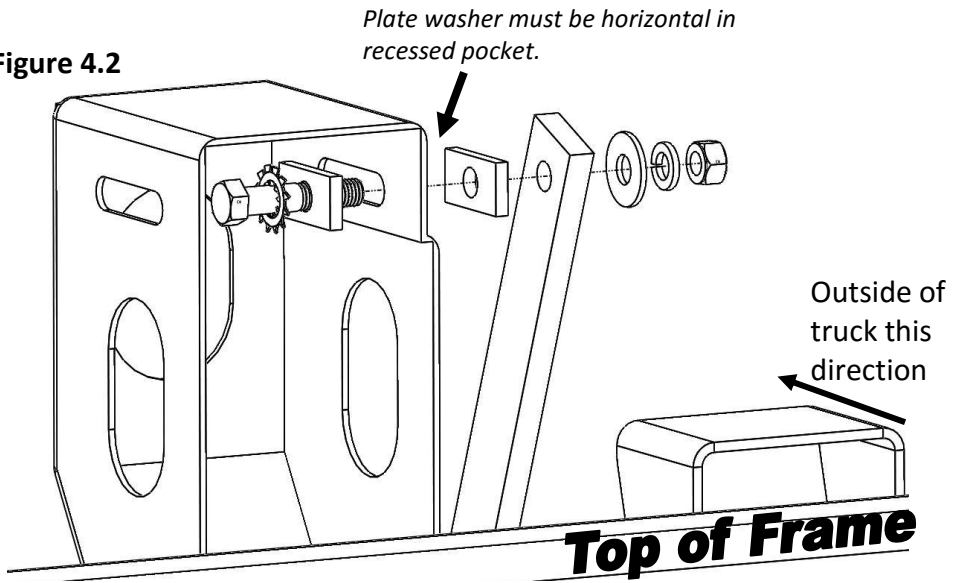
Locate the upper most horizontally slotted hole in the bed mount. Install a **1/2"-13 x 2.5" hex bolt** with one **1/2" star washer** and one **1"x2" plate washer** through the slotted hole from inside of the bed mount pointing out towards the front of the truck. (Photo 4.1)

Photo 4.1



Next, install a **1"x2" plate washer** onto the protruding threads, followed by the **tie down support strap**. Secure with one **1/2" flat washer**, one **1/2" lock washer**, and one **1/2" hex nut**. Leave assembly hand tight. Reference figure 4.2 below for the correct assembly.

Figure 4.2

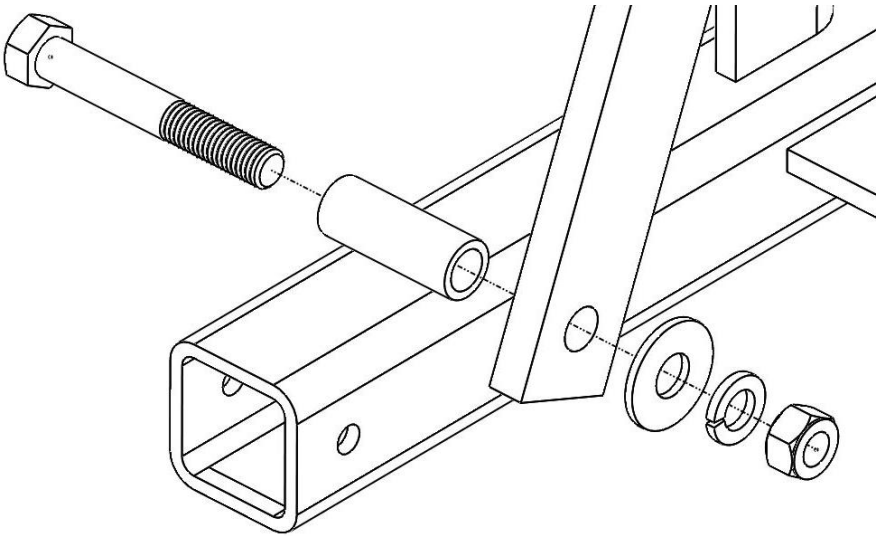


NOTE: *There is a recessed portion at the top of the bed mount. The 1"x2" plate washer must be installed horizontally to fit correctly.*

Step 5:

Install a **1/2"-13 x 3.5" hex bolt** through the welded on pipe of the **tie down receiver** and out through the lower hole in the **tie down support strap**. Secure with one **1/2" flat washer**, one **1/2" lock washer**, and one **1/2" hex nut**. Reference Figure 5.1 and leave the hardware hand tight at this time.

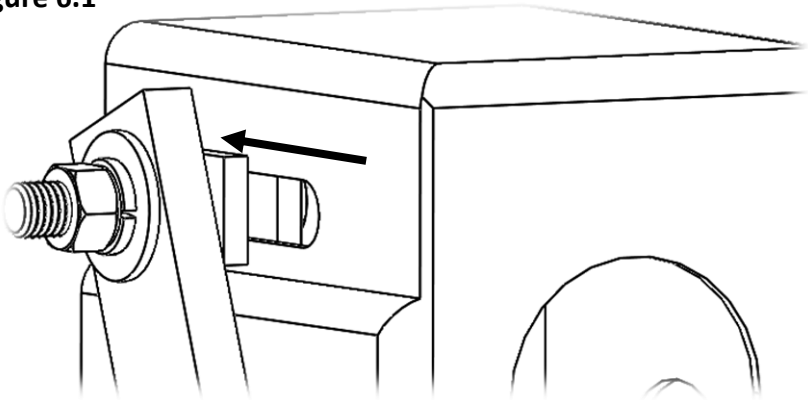
Figure 5.1



Step 6:

Push the **tie down receiver** flat against the truck frame and upwards. The goal is to make sure the bolt in the bed mount is all the way to the back of the slot it is installed in. (Figure 6.1)

Figure 6.1



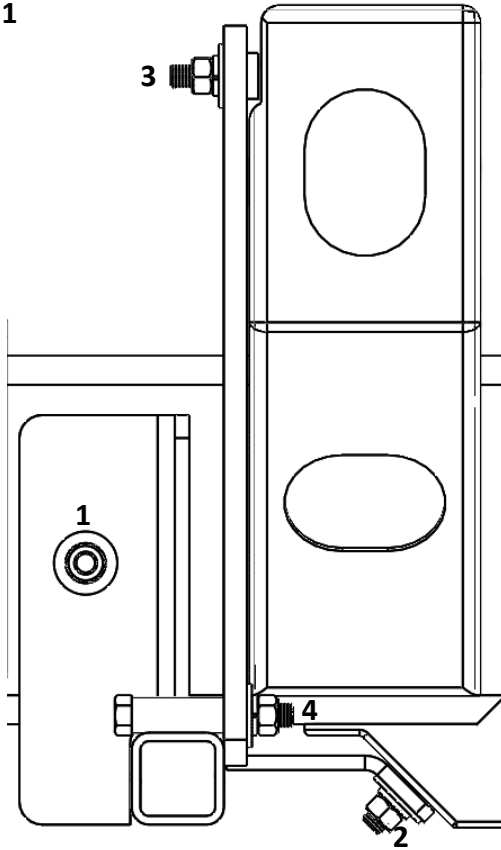
Snugly tighten all four hex nuts at this time to hold the tie down in this position. Make sure you are still pushing upwards while tightening the nuts to hold the **tie down receiver** in place.

Step 7:

At this time, torque the four hex nuts to the listed specification in the following order. (Figure 7.1)

#1: 65 ft-lbs, #2: 65 ft-lbs, #3: 65 ft-lbs, #4: 65 ft-lbs

Figure 7.1



Step 8:

Repeat steps 1-7 for the passenger side tie down installation.

Step 9:

Install the straight tie down insert into each receiver, with the offset end facing the front of the truck.

TIEDOWN INSERT INSTALLATION INSTRUCTIONS

On one end of each of your tie down inserts is a triangular plate referred to by Torklift as a bullet plate. In most cases, the tie down inserts should be installed with the shorter side of the bullet plate facing away from each other, i.e.. The shorter side of the front insert should point to the front of the truck and the shorter side of the rear insert should point towards the rear of the truck.



DRIVERS SIDE FRONT



DRIVERS SIDE REAR

Once installed, attach the TorkLift directional stickers to the face of the bullet plate on the insert as a reminder.

IMPORTANT NOTE: *Your tie down inserts are designed to have clearance inside of the receiver. This is to account for road debris, as well as aid in installation and removal. Some rattle may be expected if the inserts are left installed while not under load from the camper.*

Torklift International Limited Lifetime Warranty Information

322 Railroad Ave North, Kent, WA 98032

Torklift will require proof of purchase to register, with pictures of any defective product before issuing a replacement. Torklift will not register any product without proof of purchase, which can be faxed, scanned, emailed, or mailed to the information provided below. Torklift warrants its hitches, custom hitch receivers, frame mounted tie downs, turnbuckles, and accessories (excluding wire harnesses which carry a 90 day warranty) from date of purchase against defects in material and workmanship under normal use and service for the ownership life of the original consumer purchaser. All plastic, rubber, and/ or electrical components maintain a warranty of up to one year from the date of the purchase. **ALL COMMERCIAL APPLICATIONS ARE WARRANTED FOR A PERIOD OF 90 DAYS FROM THE DATE OF INSTALLATION/SERVICE.** Torklift will replace **FREE OF CHARGE** any part which proves defective in material or workmanship when presented to Torklift, **TRANSPORTATION CHARGES PREPAID** by purchaser, at the address above. **THIS WARRANTY IS LIMITED TO DEFECTIVE PARTS REPLACEMENT ONLY. LABOR CHARGES AND/OR DAMAGE INCURRED IN INSTALLATION OR REPLACEMENT, AS WELL AS INCIDENTAL AND CONSEQUENTIAL DAMAGES CONNECTED THEREWITH ARE EXCLUDED.** This warranty does not include the finish or paint on our products. Rusting, cracking or peeling of the finish is also excluded. Some states do not allow the exclusion or limitation of incidental or consequential damages, so the above limitation or exclusion may not apply to you. Any damage to Torklift products as a result of misuse, abuse, neglect, accident, improper installation or any use violative of instructions furnished by Torklift or **WHEN USED IN ANY COMMERCIAL APPLICATION WILL VOID THE WARRANTY.** This warranty gives you specific legal rights, and you may also have rights which vary from state to state. With warranty service, you may be able to go to a small claims court, a state court or a federal district court.



322 Railroad Ave North, Kent, WA 98032

Phone (800) 246-8132 Fax (253) 854-8003

Or visit our website: www.TorkLift.com

Dear Valued Customer,

Thank you for making TorkLift your choice for truck, camper packages and accessories for your vehicle. By choosing TorkLift products, you have chosen a company that has been serving the RV industry for nearly 40 years and whose name has become synonymous with strength, quality and advanced design and installation.

Please take a few moments of your time to complete the Product Registration Warranty Card on the next page. When registering your newly purchased TorkLift products, you can be assured that your contact information is secure and that you and your product are getting the attention and respect that you deserve.

Thank you again for choosing TorkLift quality products.

**Register for your lifetime warranty and receive a free
Torklift International gift.**

To Fax: Send copies of the questionnaire, warranty card and receipt to
253-854-8003

To E-mail: Send copies of the questionnaire, warranty card and receipt to
warranty@torklift.com

To Mail: Send to Torklift International 322 Railroad Ave North Kent, WA 98032



OFFICIAL WARRANTY REGISTRATION CARD

PLEASE FILL OUT THIS FORM COMPLETELY AND RETURN TO TORKLIFT WITHIN 30 DAYS OF PURCHASE ACCOMPANIED BY A COPY OF YOUR ORIGINAL RECEIPT

1. PART(S) PURCHASED

TODAY'S DATE: _____

PART#: _____ PART#: _____

PART#: _____ PART#: _____

PART#: _____ PART#: _____

2. PURCHASER INFORMATION

NAME: _____

ADDRESS: _____

CITY: _____ STATE: _____ ZIP / POSTAL CODE: _____

PHONE: (____) _____ - _____ EMAIL: _____

3. TRUCK INFORMATION

YEAR: _____ MAKE: _____

MODEL: _____ BED LENGTH: _____

4. CAMPER INFORMATION

YEAR: _____ MAKE: _____ MODEL: _____

5. DEALER INFORMATION

PURCHASED FROM: _____

ADDRESS: _____

CITY: _____ STATE: _____ ZIP / POSTAL: _____

INSTALLED BY: _____ OWNER ABOVE DEALER ANOTHER DEALER

IF ANOTHER DEALER, WHO: _____