

Dura Faucet Limited Lifetime Warranty

Dura Faucet products have been manufactured under the highest standards of quality and workmanship. Dura Faucet warrants to the original purchaser for as long as the original purchaser owns their RV that this product will be leak- and drip-free during normal use, and that all parts and finishes of this product will be free from defects in material and manufacturing workmanship. Plated metal and plated plastic finishes are warranted for (1) year.

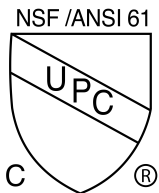
If the product should develop a leak or drip during the warranty period, Dura Faucet will, free of charge, provide the parts necessary to put the product back into good working condition by you. They may also replace any part or finish that proves defective in material and manufacturing workmanship, under normal installation, use and service, free of charge. Proof of purchase (original sales receipt) from the original purchaser must accompany all warranty claims. Defects or damages caused by the use of other products or parts is not covered by this warranty. If repair or replacement is not practical, Dura Faucet may elect to refund the purchase price in exchange for the return of the product.

This warranty covers replacement of all defective parts and finishes. However, damage due to product abuse, product misuse, installation error, or the use of cleaners containing alcohol, abrasives, or other solvents, whether performed by a contractor, service company, or yourself, will void this warranty. Dura Faucet will not be responsible for labor charges and/or damages incurred in installation, repair or replacement, nor any indirect, incidental or consequential damages, losses, or injury costs of any nature relating to this product. Except as provided by law, this warranty is in lieu of and excludes all other warranties, conditions and guarantees, whether expressed or implied, statutory or otherwise, including without restriction those of merchantability or of fitness for use.

Dura Faucet will advise you on how to proceed in making warranty claims. To begin a warranty claim, write to Dura Faucet explaining the defect and include proof of purchase and your name, address and telephone number. Email is warranty@durafaucet.com.

* Never use cleaners containing abrasive cleansers, ammonia, bleach, acids, waxes, alcohol, solvents or other products not recommended for plated metal or plastic finishes. This will void the warranty.

19215 SE 34th St. Ste. 106-382
Camas, WA 98607



DF-SA100 | RV Shower Faucet for Exterior Shower Boxes



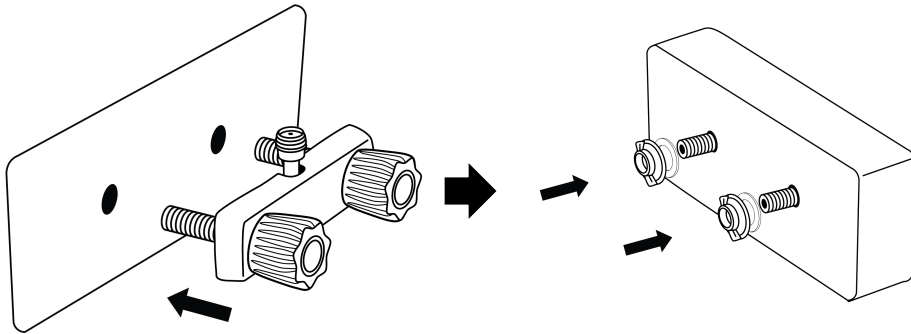
INSTALLATION OF THE FAUCET

1 New Faucet Preparation

Turn the water to the RV off before installing. Remove the existing fixture. Place the flat side of the sealing gasket against the wall, and then insert the faucet inlet tubes through the gasket into the wall. Position the faucet on the wall. You may need to remove an access panel to access the faucet mounting nuts.

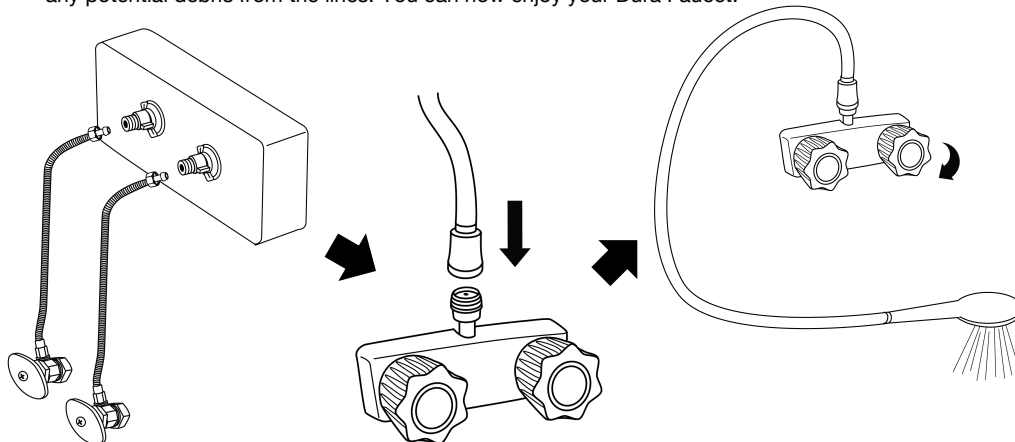
2 Install Faucet

Once inserted, tighten the mounting nuts and washers from behind the wall. Then, connect the water supply lines from the RV to the inlet tubes of the faucet. As you lace the faucet, hot water should be on your left, and cold water on your right. **Note:** Hand tighten the nuts and then tighten ¼ turn with a wrench. Overtightening the nut can cause leaking.



3 Secure the Access Panel (Optional) and Turn on Water Supply

If you have an access panel, secure it by screwing it back onto the wall using the same screws used to remove it in step 1. Once secured, turn the water to the RV back on and check for leaks at the supply line connections. Turn the hot and cold water on for 30 to 60 seconds to remove any potential debris from the lines. You can now enjoy your Dura Faucet.



MAINTENANCE AND CLEANING

Cleaning Tips: The finish on your product is designed to retain its beautiful sheen for years. To maintain the original look of the finish, a little care and caution should be used. We recommend the use of mild soap and water to clean the product.

THE USE OF ABRASIVE CLEANERS MAY SCRATCH THE FINISH OR CAUSE OTHER DAMAGE.

RECOMMENDED TOOLS AND MATERIALS

- ◆ Adjustable Wrench
- ◆ Plumbers Tape (Thread Seal Tape)
- ◆ Phillips Screw Driver

BEFORE YOU BEGIN

There are a variety of things to do before installing any new plumbing system into your RV. Before you begin work make sure you:

- ◆ Shut off the main water supply
- ◆ Cover your drain to prevent loss of parts
- ◆ Observed any local plumbing codes
- ◆ Inspect fixture for damage - Replace as necessary

* Dura Faucet reserves the right to make any revisions in the design of products without notice.

- 1S/A. Acrylic/Al H-Button (1)
- 1C. ABC Cover (H) (1)
- 1L. ABS Cover (H) (1)
- 2S/A. Acrylic/Al C-Button (1)
- 2C. ABS Cover (C) (1)
- 2L. ABS Cover (C) (1)
- 3S/A. Stainless Steel Handle Screw (2)
- 3C. Stainless Handle Screw (2)
- 3L. Stainless Handle Screw (2)
- 4S/A. ABS Base (2)
- 4C. ABS Base (2)
- 4L. ABS Base (2)
- 5S/A. ABS Nut (2)
- 5C. ABS Nut (2)
- 5L. ABS Nut (2)
- 6C. ABS Handle (2)
- 6L. ABS Handle (2)
- 7L. O-Ring (2)
- 8. ABS Escutcheon (1)
- 9. POM/Rubber/Stainless Mandrel (2)
- 10. Rubber Washer (2)
- 11. Stainless Spring (2)
- 12. POM/Rubber Body (1)
- 13. Rubber Washer (2)
- 14. ABS Stopper (1)
- 15. PP Base Plate (1)
- 16. Rubber Washer (2)
- 17. ABS Mounting Nut (2)

