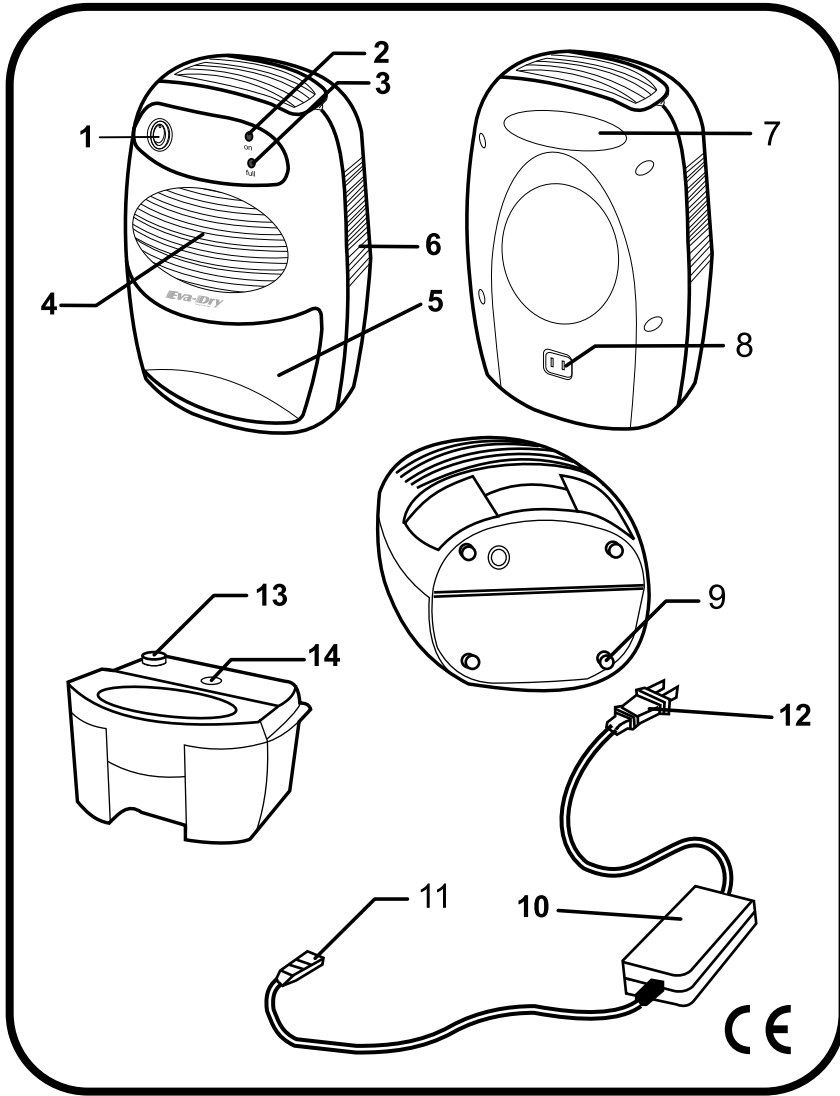


Name and Function of Parts

1E

Eva-Dry
Damp In. Dry Out!®

COVER E



Instruction Manual

Specifications

3E

Capacity	Approximately 20.5 ounces per day; 86° and 80% RH
Cooling	Thermo-electric Peltier module
Power Adapter	12V DC 6AMP (DO NOT COVER)
Power Consumption	72W
Removable Water Tank	2 Liter Capacity
Water Level Detector	Automatic Switch to indicate tank is full
Drying Feature	Warm air outlet on both sides
Product Dimensions	8.5"(W) x 14"(H) x 6.75"(D)

Connections

1. After removing the packaging materials, there will be 2 items:

- A. EDV-2200 Dehumidifier
- B. AC/DC Power adapter

2. Plug the DC power jack (11) of the power supply into the adapter socket (8), then connect the AC Plug (12) of the power supply to the wall socket.

3. Press the "On/Off" button (1) to the "On" position, the EDV-2200 dehumidifier will begin to operate. This action will activate the green LED light.

4. To turn off the unit press the On/Off button to the Off Position.

Features

2E

The EDV-2200 Dehumidifier uses Whisper Technology (no compressor) which makes it light and quiet. It is perfect for small rooms, closets, kitchens, etc. Poor ventilation can cause odors and fungus in wardrobes, cabinets, storage rooms, etc. The EDV-2200 Dehumidifier eliminates this problem by keeping these areas free from excess moisture.

1. - Power Switch
2. - "On" Green LED
3. - "Full" Yellow LED
4. - Air Intake
5. - Removable water tank
6. - Dry air outlet
7. - Handle for easy moving
8. - DC Power Socket
9. - Rubber Feet / Scratch Resistant
10. - AC/DC Power Supply
11. - DC Power Jack
12. - AC Plug with power cord
13. - Water drain hole
14. - Auto Shut-Off Sensor

• To avoid electrical shock, do not tamper with the unit. Tampering with the unit will void the warranty.

Cleaning

5E

Before cleaning the unit, turn off the EDV-2200, then unplug the AC plug from the wall socket first. Use a soft cloth to clean the surface of the unit, and a cotton swab to wipe the dust from the grill of the air inlet (4).



Caution

DO NOT SUBMERGE IN WATER! DO NOT COVER THE AC/DC POWER ADAPTER!

Weekly Maintenance

Wipe all vents with a cotton swab.

Monthly Maintenance

Pour bleach water into tank to kill any bacteria that may have formed.

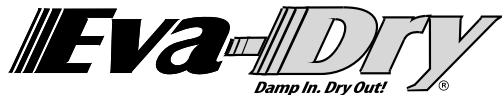
Warranty

“See the Warranty Card. Tampering with or altering the product in any way will void the 1 year manufacturer’s warranty.”

Troubleshooting

What if the unit won’t turn on.

- A. Make sure both of the plugs are securely installed.
- B. Make sure the water tank is pressed all the way in the unit.
- C. Check and see if the water tank is full.

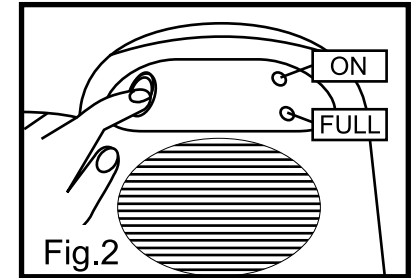
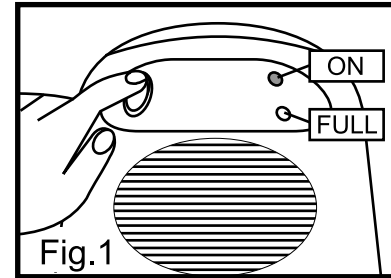


12157 West Linebaugh Avenue #152 - Tampa, Florida 33626

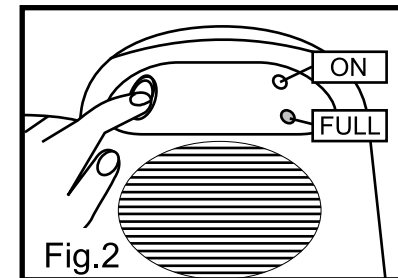
To register warranty online please go to: www.eva-dry.com

Removing The Water Tank

4E



When the water tank is full (Approximately 2 liters). The unit will automatically turn off and the “Yellow” LED (3) will turn on.



To remove the water tank, first turn the unit off. Then remove the water tank from the unit and empty the water. Place the water tank back into the unit, and turn the unit back on to continue dehumidifying.

RVupgrades.com