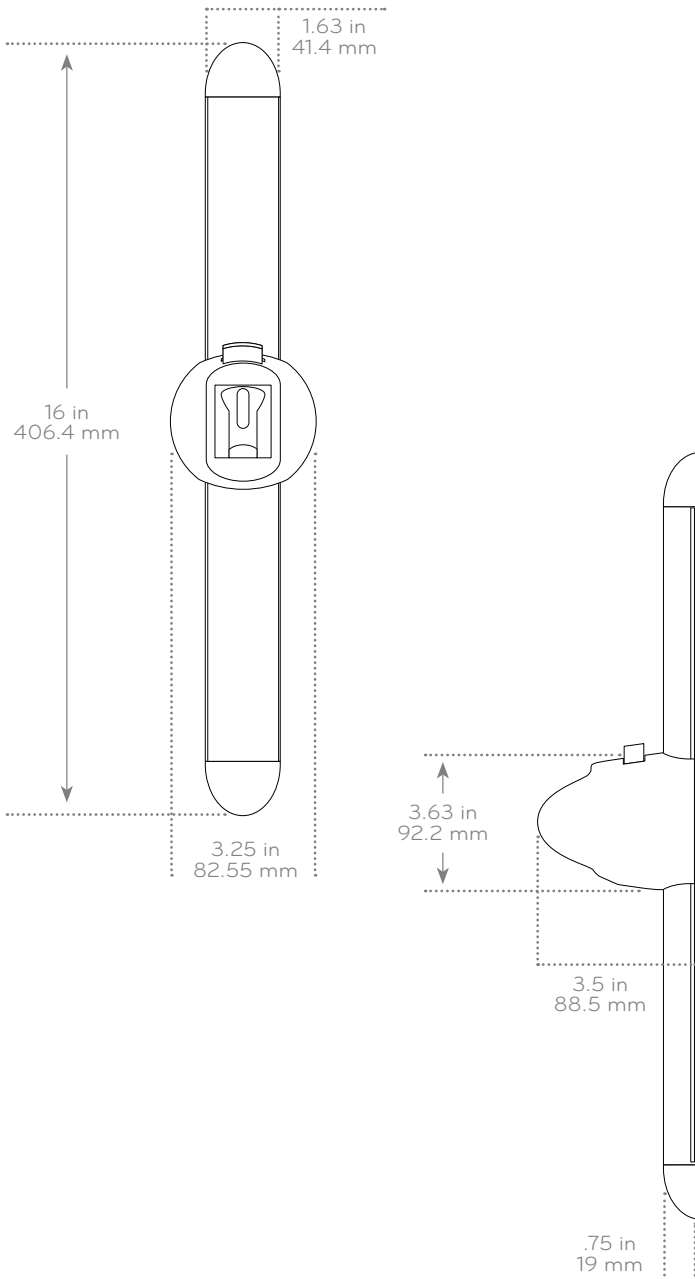


Submitted Model No.: \_\_\_\_\_

Specific Features: \_\_\_\_\_



## PRODUCT SPECIFICATIONS:

**Dimensions:** 3.25" x 16" x 3.5"

**Weight:** 1 lb.

**Available Finishes:** Chrome

## FEATURES:

- + **Installs in minutes on all surfaces** using commercial strength **3M** adhesive.
- + **Never worry about drilling into pipes, cracking tile, or having to hire a plumber.**
- + Slide bar engineered of **heavy-duty aluminum for long lasting performance.**
- + **Adjusts 13" in height with the push of a button** – perfect for Dad, Mom, and the entire family.
- + **Adjust angle/height of handheld shower** for optimum pleasure.
- + **Elegant Design** enhances the look and feel of your RV.

## WHAT'S INCLUDED:

- + Easy Slide Bar
- + 3M® Commercial Strength Tape
- + (2) 1.5" Screws and (2) Hollow Wall Anchors (Alternate Installation)