

FURRIION

BACKUP CAMERA SYSTEM

FRC12TAPK-BL

With long range digital wireless technology



Vibrationsmart

Designed and tested
or vibration resistance



Climatesmart

Designed and tested
For extreme climates



Digital technology

Up to 100ft range digital
Wireless technology



Direct pairing

Uninterrupted direct
digital pairing



FRCBTKT-BL

Mounting bracket included

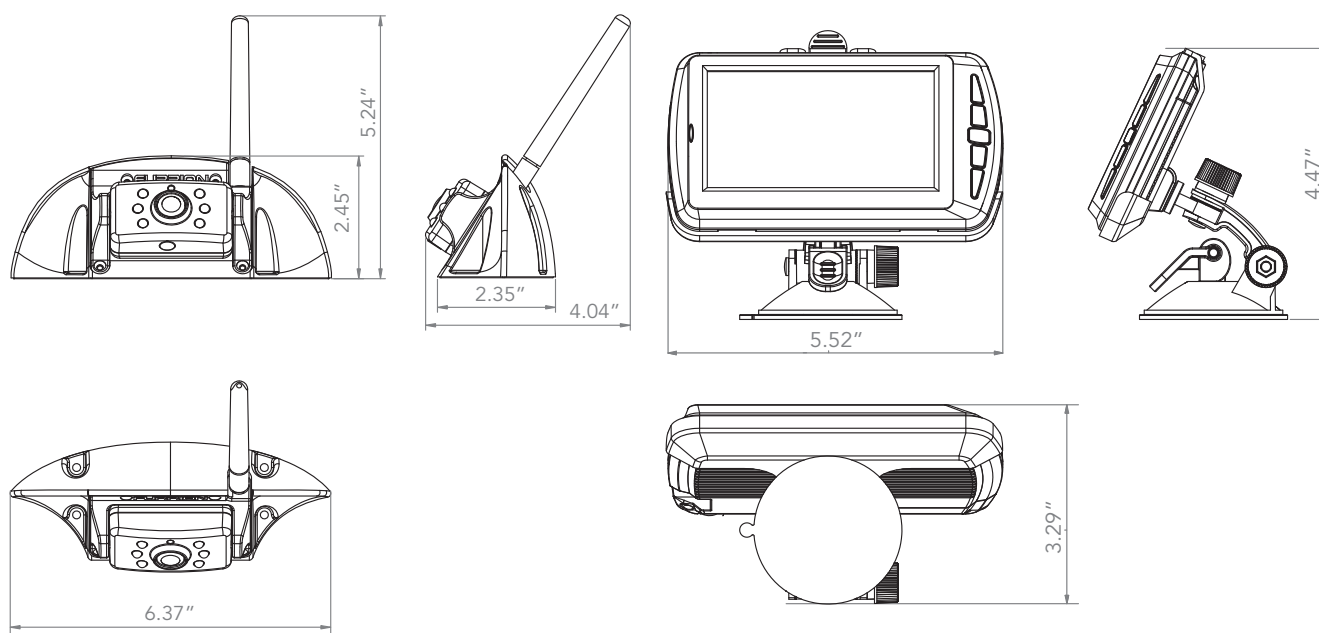
- Digital wireless technology with direct monitor pairing
- 12 Volt 4.3" multifunction LCD color display
- Water proof (IP65), 12 volt camera
- External antenna for long distance signal transfer
- Shaded camera for low glare
- Wide angle lens
- Infrared night vision
- Adjustable camera angle
- Safety tested and FCC certified

■ For large 5th Wheels and utility trailers it is recommended to use FOS48TAPK-BL system.

BACKUP CAMERA SYSTEM

FRC12TAPK-BL

With long range digital wireless technology



Specifications

Camera

Input voltage	DC 8-30V
Input current	≤220mA
Rx/Tx distance	≤100ft (Open space)
Image Sensor	1/4" Color CMOS VGA
Camera	Max 25 frames/sec VGA f1.7mm, F2.0

IR

850nm filter	View Distance ≥1.5m
Brightness	≤2Lux

Working Temperature

-10 °C~50 °C

Monitor

Input voltage	DC 8-30V
Input current	≤180mA
Standby Current	<5mA
Rx/Tx distance	≤100ft (Open space)
Wireless Frequency	2.4Ghz
LCD Display	4.3" 480*272
Receiver Sensitivity	-78±3dBm
Working Temperature	-10 °C~50 °C

Packaging Information

Packaging type	Color Gift Box
Quantity per level 1 (pcs)	1
Individual Packaging Dimensions	10.04"x2.36"x8.86"
Individual Packaging Gross Weight (kg)	0.54kg
Individual Packaging Net Weight (kg)	0.27kg

Master Carton

Packaging type	Master Carton Box
Quantity per box	10
Master Carton Dimensions	18.31" x 13.39" x 10.71"
Master Carton Gross Weight (kg)	6.5kg
Master Carton Net Weight (kg)	2.7kg

