



TM

LCI FLEX GUARD OEM INSTALLATION MANUAL

L I P P E R T
C O M P O N E N T S™

System Information

This heavy-duty flexible rail offers support and protection to vital slide-out plumbing, wiring and hoses under the slide room floor. The Flex Guard straightens during extension and bends in an arc as it contracts. This unique design prevents sagging during slide-out operation as well as unnatural bends that can lead to breakage.

Features

- Protects slide-out plumbing, wiring and hoses during extension and retraction of slide room
- Can be installed on any slide-out system that uses a ¼-inch steel rod or swing arm for the same application
- Single, double and triple applications
- All kits come with 8" mounting post with washer and five Flex Guard clips

Weight Ratings

- | | |
|--------------------------|-------------------------|
| Short Flex Guard rating: | Long Flex Guard rating: |
| • Single - 2 pounds | • Single - 1 pound |
| • Double - 6 pounds | • Double - 3 pounds |
| • Triple - 12 pounds | • Triple - 6 pounds |

NOTE: The length of the Flex Guard, short or long application, is determined by which mounting holes are used. If needed, cut the Flex Guard to create a short Flex Guard.

Safety Information

WARNING

Failure to follow the instructions provided in this manual may result in death, serious injury, vehicle damage or voiding of the component warranty.

WARNING

The unit MUST be supported per manufacturer's specifications before working underneath. Failure to do so may result in death or serious injury.

WARNING

Always wear eye protection when performing service or maintenance to the unit. Other safety equipment to consider would be hearing protection, gloves and possibly a full face shield, depending on the nature of the service.

CAUTION

Moving parts can pinch, crush or cut. Keep clear and use caution.

NOTE: Lippert Components, Inc. recommends that the following inspections, troubleshooting, component replacement, and verifications be completed only by certified RV technicians.

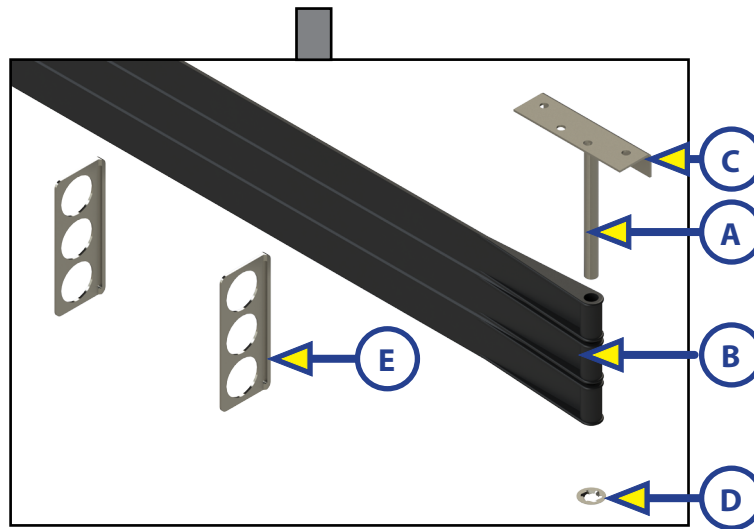
Resources Required

- Cordless or Electric Drill or Screw Gun
- Appropriate Drive Bits
- ¼" - 14 x 1 Self-Tapping Screws

NOTE: Flex Guard and Flex Guard clips are available in single, double and triple (shown) belt heights.

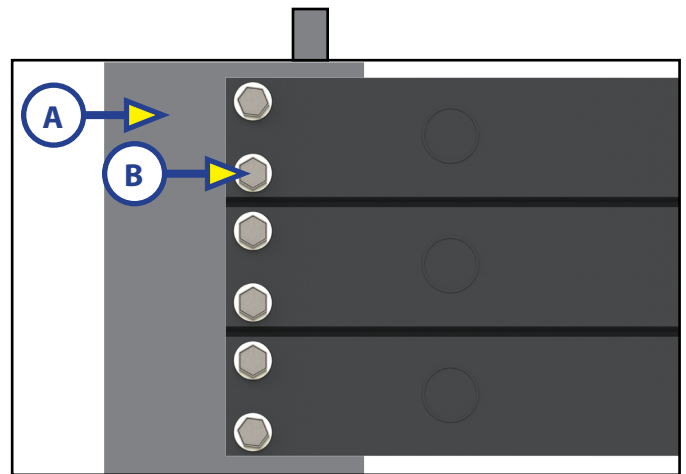
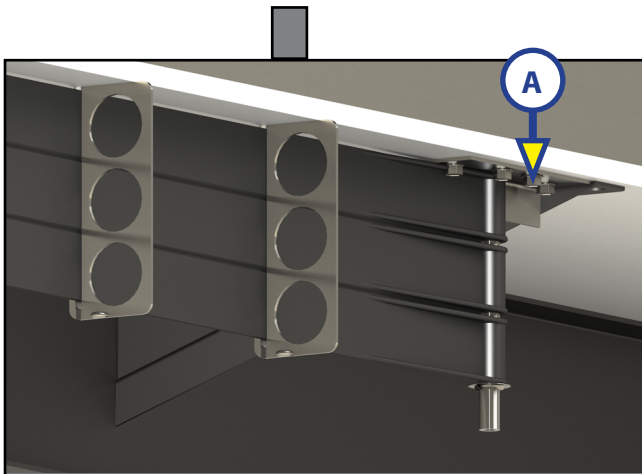
Installation

1. Position Flex Guard under the slide-out room where the wiring or hoses to be protected are located.
2. Insert the aluminum pin (Fig. 1A) into the Flex Guard (Fig. 1B) with the mounting bracket (Fig. 1C) facing up. Slide star washer (Fig. 1D) over the end of the pin at the bottom of the Flex Guard and push in place.
3. Slide the Flex Guard clips (Fig. 1E) onto the end of the Flex Guard with the holes in the clips facing the direction of the hoses and wiring to be protected. Space all clips evenly throughout the length of the Flex Guard.



NOTE: Quantity of clips varies with application.

4. Install Flex Guard mounting bracket to the bottom of the trailer floor, perpendicular to the outrigger and furthest away from the I-beam, using four (4) ¼" - 14 x 1 self-tapping screws (Fig. 2A).



5. Mount the flat end of the Flex Guard to the OEM supplied mounting plate (Fig. 3A) in line with the aluminum pin (Fig. 1A) at the opposite end using two (2) ¼" - 14 x 1 self-tapping screws (Fig. 3B) per belt section. Install the OEM supplied mounting plate to the bottom side of the slide out room.
6. Slide any hoses and wiring through the holes in the Flex Guard clips when installing in order to protect hoses and wiring with the Flex Guard.



L I P P E R T C O M P O N E N T S™

All information contained within may be distributed as a full document only, unless otherwise permitted by explicit consent of Lippert Components Inc. to distribute individual parts.

All information contained within is subject to change without notice. New editions will be posted on www.lci1.com and can be downloaded for free. Information contained within is considered factual until made obsolete by a *NEW* revision.

Please recycle all obsolete materials.

For all concerns or questions, please contact
Lippert Components, Inc.

Ph: (574) 537-8900 Web: www.lci1.com Email: warranty@lci1.com