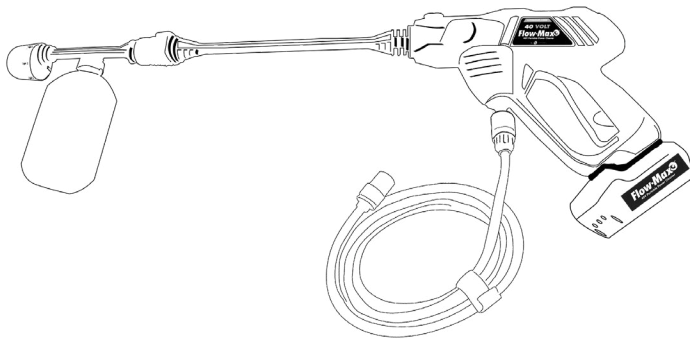




LIPPERT
COMPONENTS®

Flow·Max™
40V Portable Power Cleaner



Flow Max™ 40V Portable Power Cleaner Installation and Owner's Manual (For Aftermarket Applications)

Flow Max™ Power Cleaner Kit	
Part #	Description
2020111765	Flow Max™ 40V Portable Power Cleaner

Table of Contents

Introduction	1
Safety	2
Parts List	3
Assembly	3
Nozzles	3
Water Supply Line	4
Additive Bottle	5
Battery Pack	5
Operation	6
Selecting Modes	6
Battery	7
Water Supply	7
Using the Power Cleaner	7
Disassembly	7
Troubleshooting	8
Maintenance and Storage	8
Recharging Battery Pack	8
Notes	10

Introduction

The LCI Flow Max™ 40V Portable Power Cleaner is a portable power tool that provides the ease and convenience to effectively clean all of your marine and land products.

The rechargeable 40V (2.0 Ah) lithium ion battery pack generates enough high pressure at 520psi to tackle the dirtiest jobs, yet when selecting the low pressure setting for 320psi, those routine cleanings become a breeze.

Additional information about this product can be obtained from lci1.com/support or by using the myLCI app. Replacement kits can be ordered from <https://store.lci1.com/> or by using the myLCI app.

The myLCI app is available for free on iTunes® for iPhone® and iPad® and also on Google Play™ for Android™ users.

iTunes®, iPhone®, and iPad® are registered trademarks of Apple Inc.

Google Play™ and Android™ are trademarks of Google Inc.

NOTE: Images used in this document are for reference only when assembling, installing and/or operating this product. Actual appearance of provided and/or purchased parts and assemblies may differ.



LIPPERT
COMPONENTS®

Flow Max™
40V Portable Power Cleaner
Installation and Owner's Manual
(For Aftermarket Applications)

Safety

Read and fully understand all instructions before installing or operating this product. Adhere to all safety labels.

This manual provides general instructions. Many variables can change the circumstances of the instructions, i.e., the degree of difficulty, operation and ability of the individual performing the instructions. This manual cannot begin to plot out instructions for every possibility, but provides the general instructions, as necessary, for effectively interfacing with the device, product or system. Failure to correctly follow the provided instructions may result in death, serious personal injury, severe product and/or property damage, including voiding of the LCI limited warranty.

⚠ WARNING

THE "WARNING" SYMBOL ABOVE IS A SIGN THAT A PROCEDURE HAS A SAFETY RISK INVOLVED AND MAY CAUSE DEATH, SERIOUS PERSONAL INJURY OR SEVERE PRODUCT AND/OR PROPERTY DAMAGE IF NOT PERFORMED SAFELY WITHIN PARAMETERS SET FORTH IN THIS MANUAL.

⚠ WARNING

DO NOT DIRECT OPERATING POWER CLEANER NOZZLE AT PEOPLE OR PETS. THE WATER PRESSURE JET STREAM CAN CAUSE PERSONAL INJURY TO UNPROTECTED FACIAL AND EXPOSED SKIN AND SEVERE DAMAGE TO PETS.

⚠ WARNING

DO NOT OPERATE NEAR AN ELECTRICAL POWER SOURCE SUCH AS AN ELECTRICAL OUTLET OR WIRING. SPRAY CONTACTING ACTIVE ELECTRICAL COMPONENTS CAN CAUSE PERSONAL INJURY FROM AN ELECTRICAL SHOCK OR BURN.

⚠ WARNING

DO NOT TOUCH THE ELECTRICAL PLUG WITH WET HANDS. WET HANDS CONTACTING ACTIVE ELECTRICAL COMPONENTS CAN CAUSE PERSONAL INJURY FROM AN ELECTRICAL SHOCK OR BURN.

⚠ CAUTION

THE "CAUTION" SYMBOL ABOVE IS A SIGN THAT A PROCEDURE HAS A SAFETY RISK INVOLVED AND MAY CAUSE PERSONAL INJURY OR PRODUCT AND/OR PROPERTY DAMAGE IF NOT PERFORMED SAFELY WITHIN PARAMETERS SET FORTH IN THIS MANUAL.

⚠ CAUTION

DO NOT TOUCH THE NOZZLE OR WATER SPRAY WHILE OPERATING THE POWER CLEANER OR PERSONAL INJURY CAN OCCUR.

⚠ CAUTION

DO NOT USE ZERO DEGREE SETTING ON PAINTED OBJECTS, SOFT WOOD SURFACES OR THIN PLASTIC OR FABRIC SURFACES. WATER PRESSURE AT ZERO SETTING ON SUCH SURFACE AND MATERIAL CAN CAUSE PROPERTY DAMAGE. SELECT A LOWER PRESSURE AND WIDER SPRAY SETTING TO CLEAN SUCH SURFACES AND MATERIALS.

⚠ CAUTION

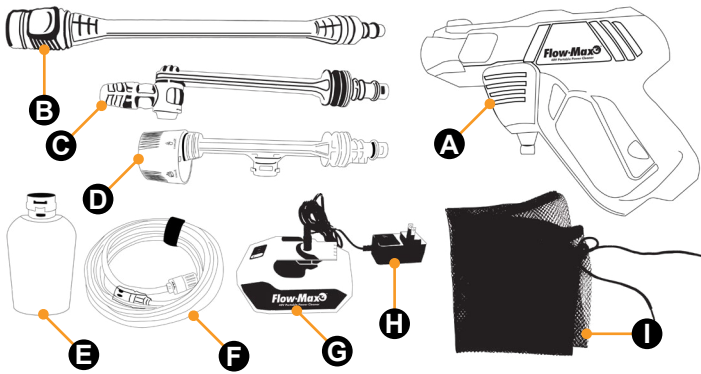
USE PERSONAL PROTECTIVE EQUIPMENT (PPE) SUCH AS PROTECTIVE EYE-WEAR, GLOVES AND SHOES WHEN OPERATING THE POWER CLEANER.



LIPPERT
COMPONENTS®

Flow Max™ 40V Portable Power Cleaner Installation and Owner's Manual (For Aftermarket Applications)

Parts List



Flow Max™ Power Cleaner Kit—202011765			
Letter	PN	Description	Qty
A	NA	Handle assembly	1
B	NA	Nozzle extension	1
C	NA	360-degree nozzle	1
D	NA	6-position nozzle	1
E	NA	Additive bottle	1
F	NA	Water supply hose with filter	1
G	NA	Battery (2.0 Ah, 40V)	2
H	NA	Battery charger	1
I	NA	Mesh fabric storage bag	1

NOTE: Part numbers are shown for identification purposes only. Not all parts are available for individual sale. All parts with a link to the Lippert Store can be purchased.

Assembly

The Flow Max Power Cleaner can be assembled into four different configurations to accommodate the user and the application.

- Handle assembly with 6-position nozzle
- Handle assembly with nozzle extension and 6-position nozzle
- Handle assembly with 360-degree nozzle
- Handle assembly with nozzle extension and 360-degree nozzle

NOTE: The additive bottle cannot be used with the 360-degree nozzle.

Nozzles

1. To only use the 6-position nozzle (Fig.1A):

A. Press and hold the lock button (Fig.1B) located on the top of the handle assembly (Fig.1C) while inserting the nozzle.

B. Release the lock button when the nozzle seats into the handle assembly.

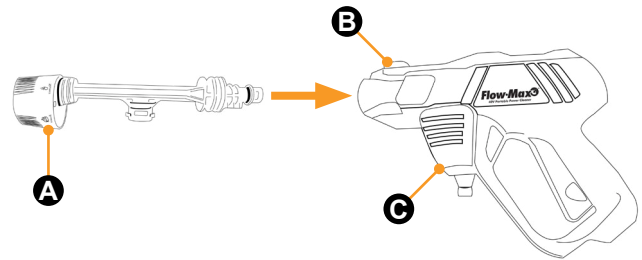


Fig.1

2. To use the nozzle extension (Fig.2A) with the 6-position nozzle:

A. Press and hold the lock button (Fig.2B) located on the top of the handle assembly (Fig.2C) while inserting the nozzle extension.

B. Release the lock button when the extension seats into the handle assembly.

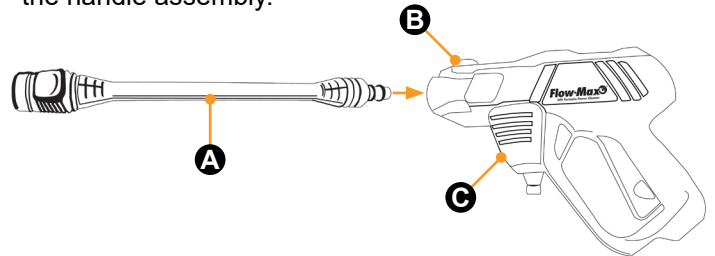


Fig.2

C. Press and hold the lock button located at the end of the extension (Fig.3A) while inserting the 6-position nozzle (Fig.3B).

D. Release the lock button when the nozzle seats into the extension.



Flow Max™

40V Portable Power Cleaner

Installation and Owner's Manual

(For Aftermarket Applications)

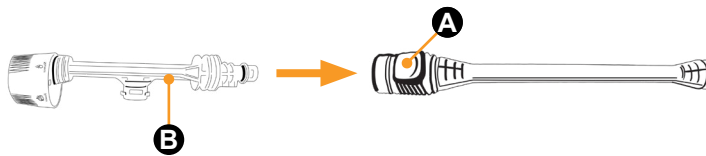


Fig.3

3. To only use the 360-degree nozzle (Fig.4B):

- A. Press and hold the lock button (Fig.4B) located on the top of the handle assembly (Fig.4C) while inserting the nozzle.
- B. Release the lock button when the nozzle seats into the handle assembly.

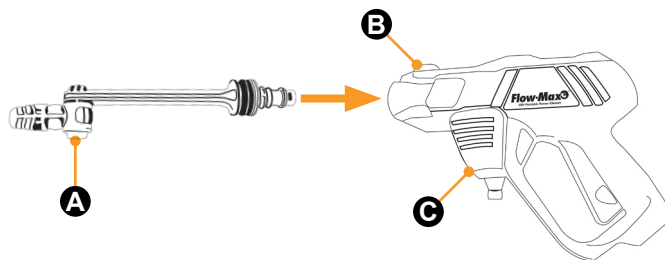


Fig.4

4. To use the nozzle extension (Fig.5A) with the 360-degree nozzle:

- A. Press and hold the lock button (Fig.5B) located on the top of the handle assembly (Fig.5C) while inserting the nozzle extension.
- B. Release the lock button when the extension seats into the handle assembly.

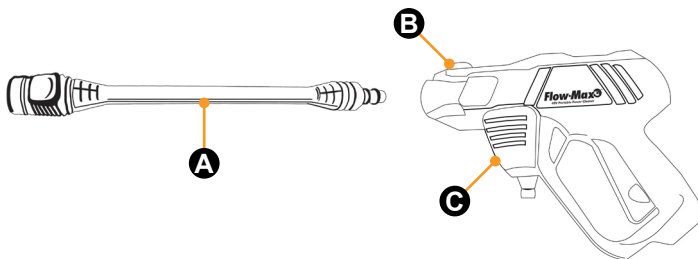


Fig.5

C. Press and hold the lock button located at the end of the extension (Fig.6A) while inserting the 360-degree nozzle (Fig.6B).

D. Release the lock button when the nozzle seats into the extension.

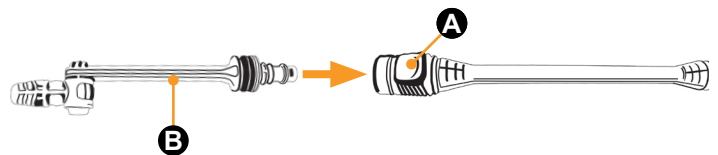


Fig.6

Water Supply Line

Make sure the water supply line particle filter is attached and free of debris.

1. Unscrew clear plastic filter housing (Fig.7A) from the water supply line (Fig.7B) filter end cap (Fig.7C).
2. Inspect filter (Fig.7D) for debris. If necessary, remove filter and clean.
3. Reinsert filter, then reattach filter housing to water supply line filter end cap.

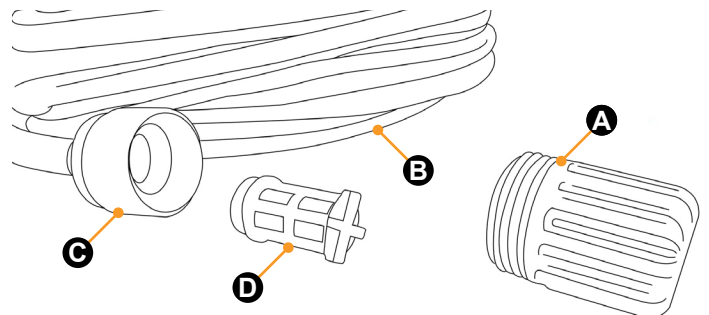


Fig.7

4. Connect the water supply line (Fig.8A) to the handle assembly (Fig.8B) by inserting the quick disconnect fitting (Fig.8C) over the water inlet nipple (Fig.8D) until it seats (Fig.9A).



Flow Max™ 40V Portable Power Cleaner Installation and Owner's Manual (For Aftermarket Applications)

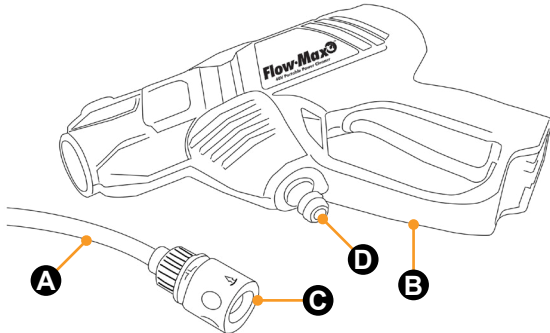


Fig.8

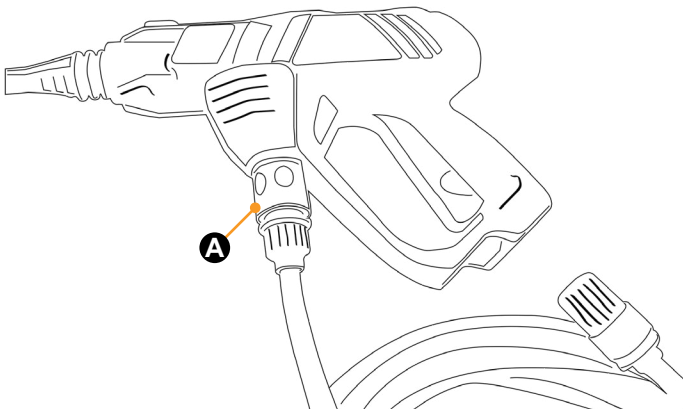


Fig.9

Additive Bottle

1. Insert additive bottle (Fig.10A) onto the 6-position nozzle's port (Fig.10B).
2. When viewing power cleaner from the orientation shown, twist bottle to the left to secure it in place.

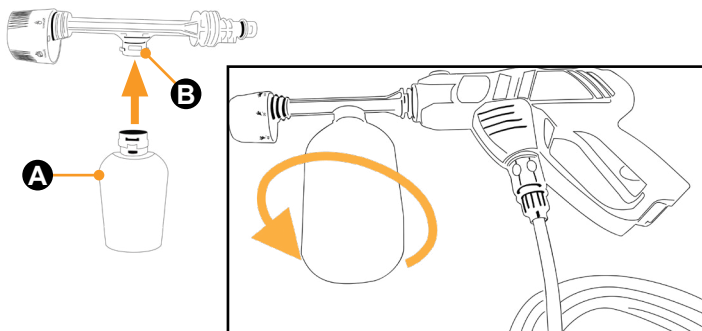


Fig.10

Battery Pack

1. Align handle assembly with the channels on the battery pack (Fig.11).

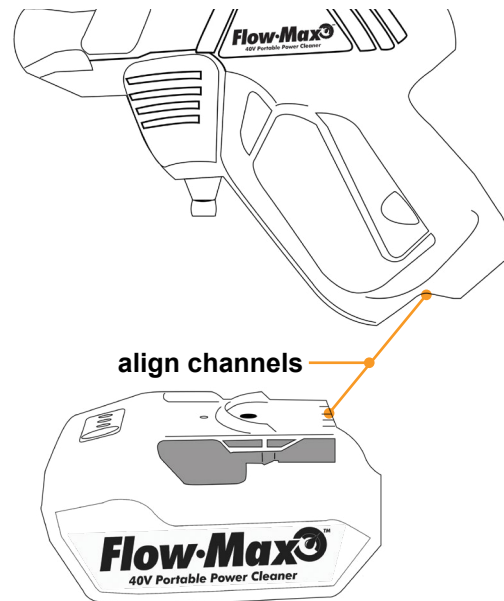


Fig.11

2. Follow directional arrows present on battery pack until battery pack is securely attached to the main handle assembly. Battery lock will engage when the battery pack is correctly attached to handle assembly.

3. The rechargeable battery has a power level indicator located on the top, front of the battery (Fig.12A). Press the yellow light icon (Fig.12B). The number of lit blue lights (Fig.12C) will indicate the battery's existing power level.

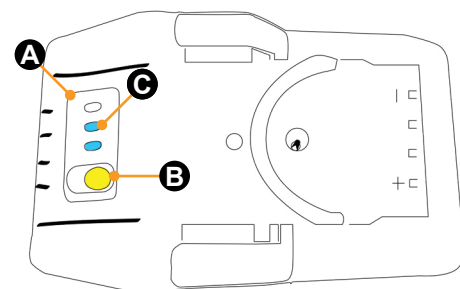


Fig.12

Flow Max™

40V Portable Power Cleaner

Installation and Owner's Manual

(For Aftermarket Applications)

Operation

⚠ WARNING

DO NOT DIRECT OPERATING POWER CLEANER NOZZLE AT PEOPLE OR PETS. THE WATER PRESSURE JET STREAM CAN CAUSE PERSONAL INJURY TO UNPROTECTED FACIAL AND EXPOSED SKIN AND SEVERE DAMAGE TO PETS.

⚠ WARNING

DO NOT OPERATE NEAR AN ELECTRICAL POWER SOURCE SUCH AS AN ELECTRICAL OUTLET OR WIRING. SPRAY CONTACTING ACTIVE ELECTRICAL COMPONENTS CAN CAUSE PERSONAL INJURY FROM AN ELECTRICAL SHOCK OR BURN.

⚠ CAUTION

DO NOT USE ZERO DEGREE SETTING ON PAINTED OBJECTS, SOFT WOOD SURFACES OR THIN PLASTIC OR FABRIC SURFACES. WATER PRESSURE AT ZERO SETTING ON SUCH SURFACE AND MATERIAL CAN CAUSE PROPERTY DAMAGE. SELECT A LOWER PRESSURE AND WIDER SPRAY SETTING TO CLEAN SUCH SURFACES AND MATERIALS.

Selecting Modes

Battery pack should be disconnected prior to selecting appropriate operational mode. This is to ensure safety and limit unintentional use while the nozzle is pointed at the user.

1. Press the trigger lock (Fig.13A) located on the left side of the handle assembly's trigger. This will push the lock button outward on the other (right) side of the trigger, resting against the handle to prevent the trigger from unintentionally activating.

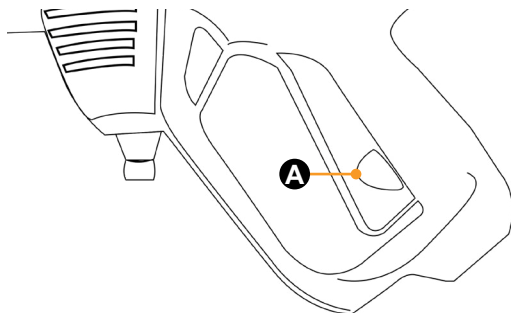


Fig.13

2. With the 6-position nozzle attached, select an operational mode by rotating the end of the wand assembly to the desired mode.

A. Zero-degree (0°) mode emits a single, steady stream of water that should only be used on hard surfaces, such as concrete or steel.

B. Twenty-degree (20°) mode emits a horizontal, 20-deg spread of water.

C. Twenty-degree angle (20°) mode emits a horizontal, downward 20-deg spread of water.

D. Forty-degree (40°) mode emits a horizontal, 40-deg spread of water.

E. Foam mode pulls material from the additive bottle and mixes it with the supply water to emit a foamy spray.

NOTE: Material inside the additive bottle is only dispensed when the power cleaner is set in Foam or Shower mode. Material will **NOT** be dispensed through any other mode setting.

F. Shower mode pulls material from the additive bottle (when attached) and mixes it with the supply water to emit a foamy spray in a cone-shaped stream of multiple water jets, much like a bathroom shower head.

NOTE: LCI does **NOT** recommend using the additive bottle in Shower mode.

3. If using the 360-degree nozzle, make sure the nozzle end is pointed straight out prior to operating.

NOTE: The 360-deg nozzle is best used to clean difficult to reach areas, such as tough corners, tire rims and wheel wells. The nozzle end can pivot 180 degrees and when adjusted by rotating the wand, 360-deg capability is achieved.



Flow Max™ 40V Portable Power Cleaner Installation and Owner's Manual (For Aftermarket Applications)

Battery

1. Make sure the rechargeable 2.0 Ah lithium ion (Li-ion) battery is fully charged.

NOTE: When the battery is fully charged, three indicator lights will come on solid (no flashing). When charging, indicator lights will flash.

2. Make sure the trigger lock is still in its locked position.

3. Install battery. Refer to Battery Pack procedure in the Assembly section.

Water Supply

Place the water supply line, with particle filter attached, into a clean water source.

Using the Power Cleaner

⚠ WARNING

DO NOT DIRECT OPERATING POWER CLEANER NOZZLE AT PEOPLE OR PETS. THE WATER PRESSURE JET STREAM CAN CAUSE PERSONAL INJURY TO UNPROTECTED FACIAL AND EXPOSED SKIN AND SEVERE DAMAGE TO PETS.

⚠ WARNING

DO NOT OPERATE NEAR AN ELECTRICAL POWER SOURCE SUCH AS AN ELECTRICAL OUTLET OR WIRING. SPRAY CONTACTING ACTIVE ELECTRICAL COMPONENTS CAN CAUSE PERSONAL INJURY FROM AN ELECTRICAL SHOCK OR BURN.

Designate the intended location/object on which to use the power cleaner, then visually verify that no people, pets or active electrical power sources or exposed electrical wiring are within range of potential water flow or overspray.

With the trigger lock still activated, press the trigger lock button located on the right side of the trigger.

NOTE: The trigger lock must be activated prior to any operation to prevent accidental use.

1. With the nozzle pointed in a safe direction, squeeze the trigger to identify the current pressure setting.

2. If necessary, select the appropriate pressure mode for the designated task by pressing the pressure selector button located on the top of the handle assembly.

NOTE: The pressure selector button is marked AUTO and ECO. AUTO is the high pressure mode and ECO is the low pressure mode. The last selected pressure mode remains in effect until the selector button is pressed again.

A. AUTO (high pressure) mode; develops 520 psi at 0.67 gpm flow. When in AUTO mode, the power cleaner will run for approximately 18 minutes and use approximately 10 gallons of water; dispensing at approximately 0.55 gpm.

B. ECO (low pressure) mode; develops 320 psi at 0.53 gpm flow. When in ECO mode, the power cleaner will run for approximately 25 minutes and use approximately 12 gallons of water; dispensing at approximately 0.47 gpm.

Disassembly

Prior to storing the power cleaner, do as follows;

1. Engage the trigger lock.

2. Remove water supply line from water source. Inspect water filter for debris.

A. If debris present, remove filter to clean out debris.

B. Reinstall filter onto water supply hose.

3. Remove water supply hose from nozzle.

A. Look for arrows on water supply hose quick disconnect.

B. Squeeze arrows and slide quick disconnect downward to disengage connector from water inlet nipple.

4. When viewing power cleaner from the orientation shown in figure 10, twist the additive bottle to the right to disengage the bottle from the nozzle..

5. Set power cleaner mode to Foam and pressure to ECO (low).



Flow Max™ 40V Portable Power Cleaner Installation and Owner's Manual (For Aftermarket Applications)

6. In a safe direction, disengage the trigger lock and squeeze the trigger to cycle the power cleaner to purge any remaining water and additive from the nozzle and handle assembly.
7. Engage the trigger lock.
8. Remove battery pack from handle assembly by pressing the two latching buttons inward, then slide the battery out from the base of the handle assembly.
NOTE: The 2.0 Ah Li-ion battery pack has a two-button, pinching latch release mechanism—a button on either side of the battery.
9. If the nozzle extension was used:
 - A. Press and hold the extension's lock button.
 - B. Pull the nozzle away from the extension.
 - C. Press and hold the handle assembly's lock button.
 - D. Pull the nozzle extension away from the handle assembly
10. If the nozzle extension was **NOT** used:
 - A. Press and hold the handle assembly's lock button.
 - B. Pull the nozzle away from the handle assembly.
11. Position nozzles and extension to allow residual fluid to drain.
12. Allow all parts to dry before storing the power cleaner.

Troubleshooting

Remove battery pack from handle assembly prior to servicing the power cleaner.

Reinstall battery pack into handle assembly only after troubleshooting issue has been resolved and normal power cleaner operation is ready to resume.

Refer to the following troubleshooting table for specific issues. If necessary, contact Lippert Components with addition questions or concerns.

Maintenance and Storage

Remove battery pack prior to cleaning, storing or servicing power cleaner.

⚠ CAUTION

DO NOT:

- USE WATER OR CHEMICAL SOLVENTS TO CLEAN THE POWER CLEANER. ONLY USE A DRY CLOTH TO WIPE THE PRODUCT CLEAN.
- STORE POWER CLEANER NEAR FIRE OR HIGH TEMPERATURE SOURCES.
- EXPOSE BATTERY PACK TO WATER, HEAT, FIRE OR DIRECT SUNLIGHT.
- USE POWER CLEANER IF PRODUCT SHOWS SIGNS OF DAMAGE OR OPERATIONAL FAILURE.

Inspect, remove and clean water filters regularly.

Store parts in mesh bag.

Recharging Battery Pack

⚠ WARNING

DO NOT TOUCH THE ELECTRICAL PLUG WITH WET HANDS. WET HANDS CONTACTING ACTIVE ELECTRICAL COMPONENTS CAN CAUSE PERSONAL INJURY FROM AN ELECTRICAL SHOCK OR BURN.

1. Plug battery charger (Fig.14A) into a 110V AC outlet.
2. Plug barrel end of charger (Fig.14B) into battery.

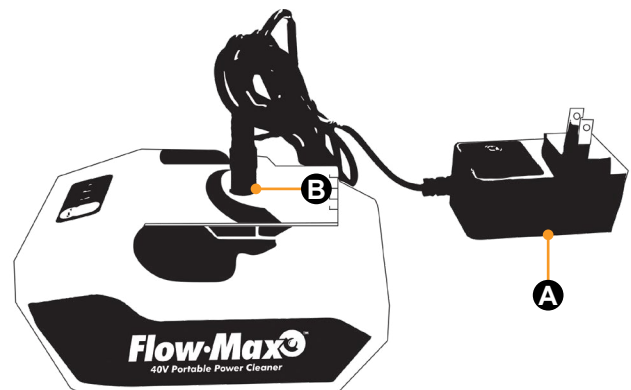


Fig.14



LIPPERT
COMPONENTS®

Flow Max™

40V Portable Power Cleaner

Installation and Owner's Manual

(For Aftermarket Applications)

What is happening?	Why?	What should be done?
Washer does not turn on.	Discharged battery.	Remove and recharge battery. Reinstall fully charged battery into handle assembly.
	Battery not engaged.	Remove and reinsert battery into handle assembly.
Lower than expected water pressure.	Clogged water filter.	Remove, inspect, clean and reinstall water filter.
	Blocked water supply line.	Remove, inspect, clean and reinstall water supply line.
	Loose water supply line.	Disconnect and reinstall water supply line into handle assembly.
	Water supply low or empty.	Replenish water supply.
Little or no additive dispenses when set to Foam mode.	Loose additive bottle connection.	Remove and reinstall additive bottle.
	Empty additive bottle.	Remove additive bottle, replenish additive, then reinstall bottle.
Additive bottle leaks.	Loosely connected bottle.	Remove additive bottle, then carefully reconnect bottle onto the nozzle.
No spray dispenses when set to a water mode or Foam mode.	Clogged nozzle, nozzle extension or both.	If applicable, remove additive bottle from nozzle. Disconnect nozzle from nozzle extension or handle assembly. If used, disconnect nozzle extension from handle assembly. Inspect nozzle, and nozzle extension if used, for obstructions. Clear any obstructions, then reinstall nozzle, and nozzle extension if used. If applicable, reinstall additive bottle.

