

ELECTRONICS

Sequence of Operation

To Turn Wireless System On:

1. Push and release LCI button (A).
2. Push and release ON button (B).
3. System is now on and all functions can be operated.

To Turn Wireless System Off:

1. System will turn off automatically after 5 minutes.
2. Push and release LCI button (A).
3. Push and release ON button (B) system will turn off immediately.

Security Light

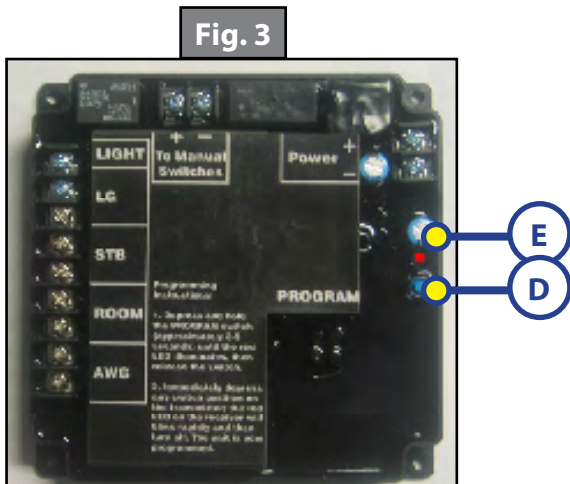
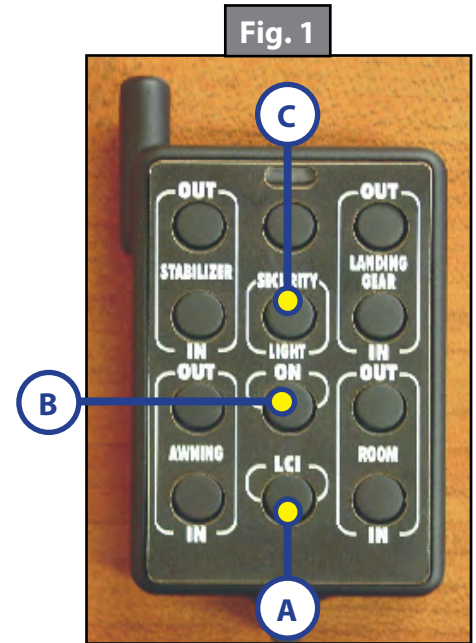
Security light will turn ON or OFF independent of the system being ON or OFF.

Security light can be turned ON or OFF by pushing the security button (C).

Caution: Security light will not turn off automatically.

NOTE: These instructions can be found on the back of each wireless remote control (Fig. 2).

NOTE: Leaving security light on for extended periods of time will deplete battery power.



Programming the Transmitter

1. Push and hold blue reset button (D) on wireless remote module for approximately five second until red light (E) illuminates.
2. Push and hold any button on the transmitter for approximately three second until the red light begins to flash rapidly. The LED will then go out.
3. Transmitter is ready for use.

ELECTRONICS

KEYSTONE VARIATIONS - MONTANA

Montana Transmitter

Part #205923

Transmitter Label

Part #194231

Receiver Label

Part #183738



Fig. 4

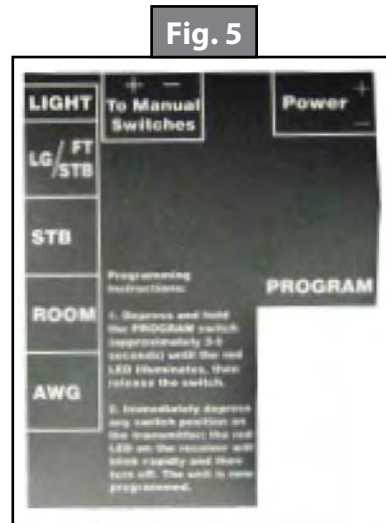


Fig. 5



Fig. 6



Fig. 7



Fig. 8



Fig. 9 Dual M/IRC
Part #183688



Fig. 10 Triple M/IRC
Part #183689



Fig. 11 Quad M/IRC
Part #183690

ELECTRONICS

KEYSTONE MODELS (NOT TO SCALE)

All Units Transmitter : Part #183734

All Units Receiver : Part #183744

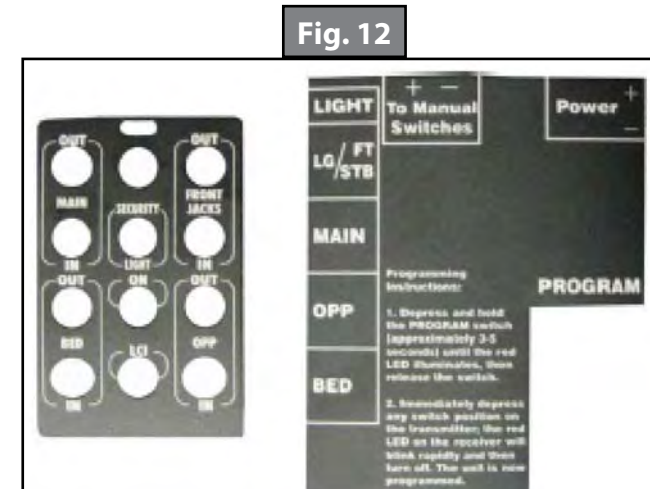


Fig. 12

Cougar Part #191454

Transmitter Label Part #194230

Receiver Label Part #183743

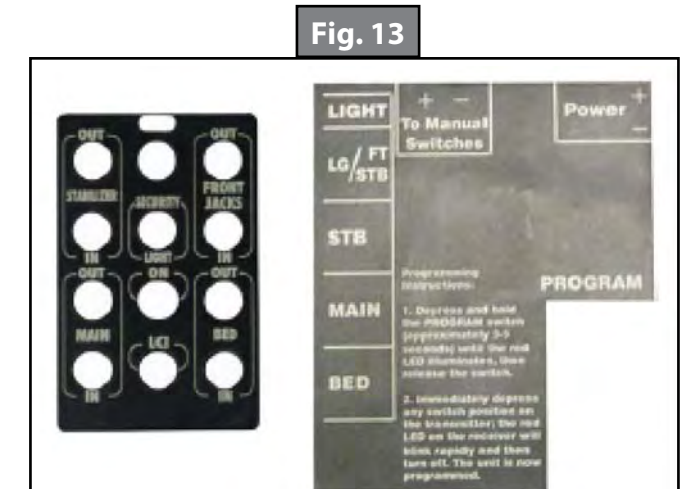


Fig. 13

VR1 Part #198865

Transmitter Label Part #198864

Receiver Label Part #198863

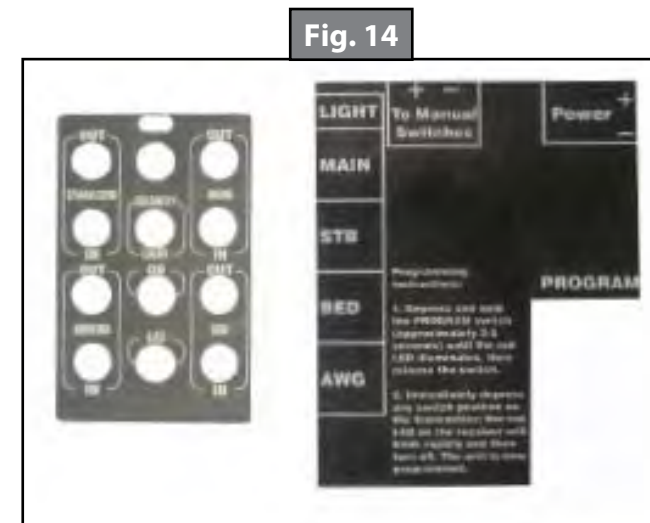


Fig. 14

X-Lite Part #196608

Transmitter Label Part #196211

Receiver Label Part #196212

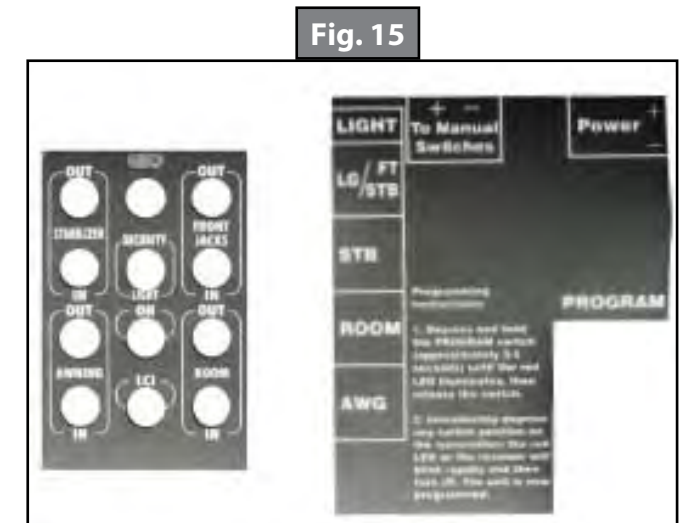


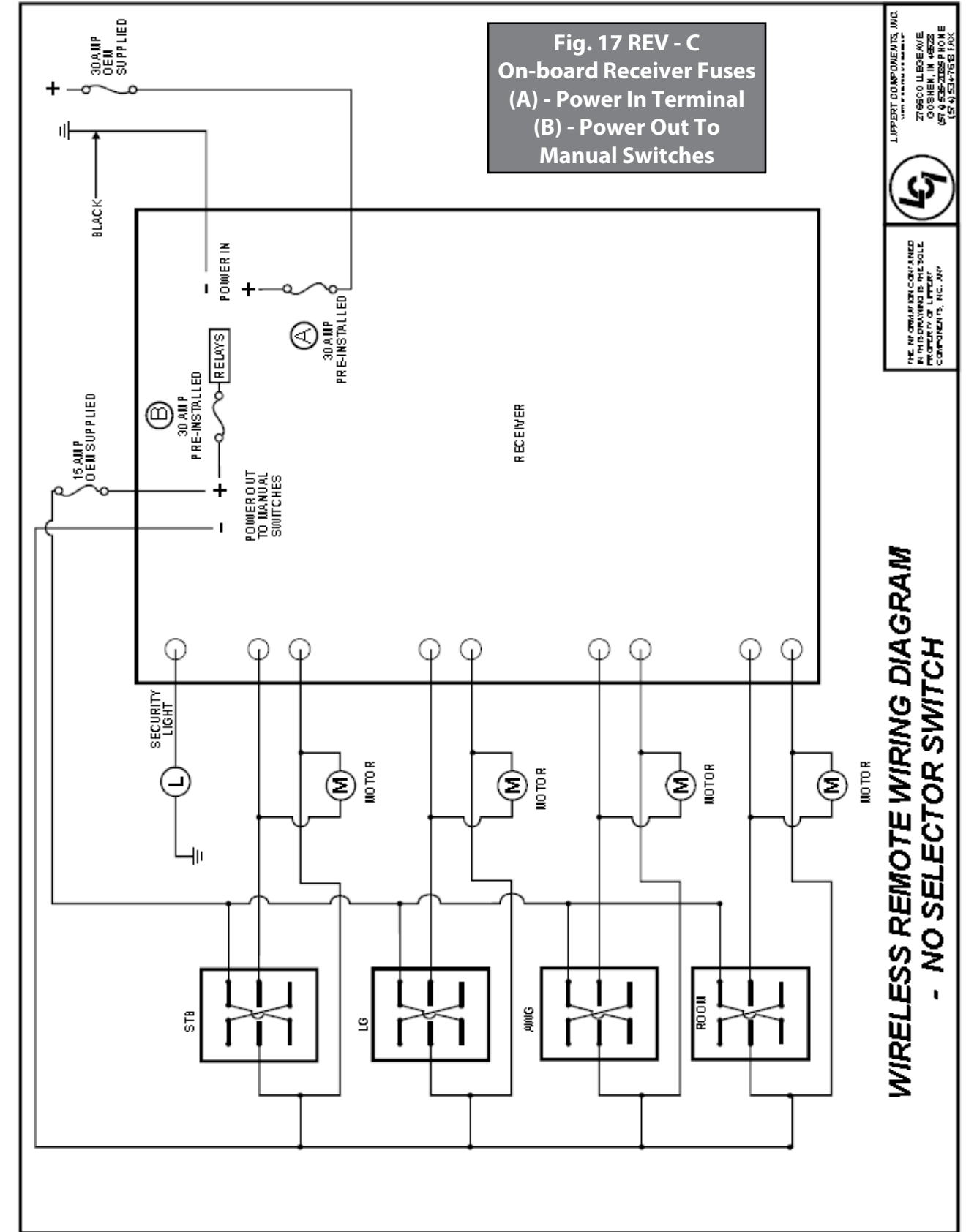
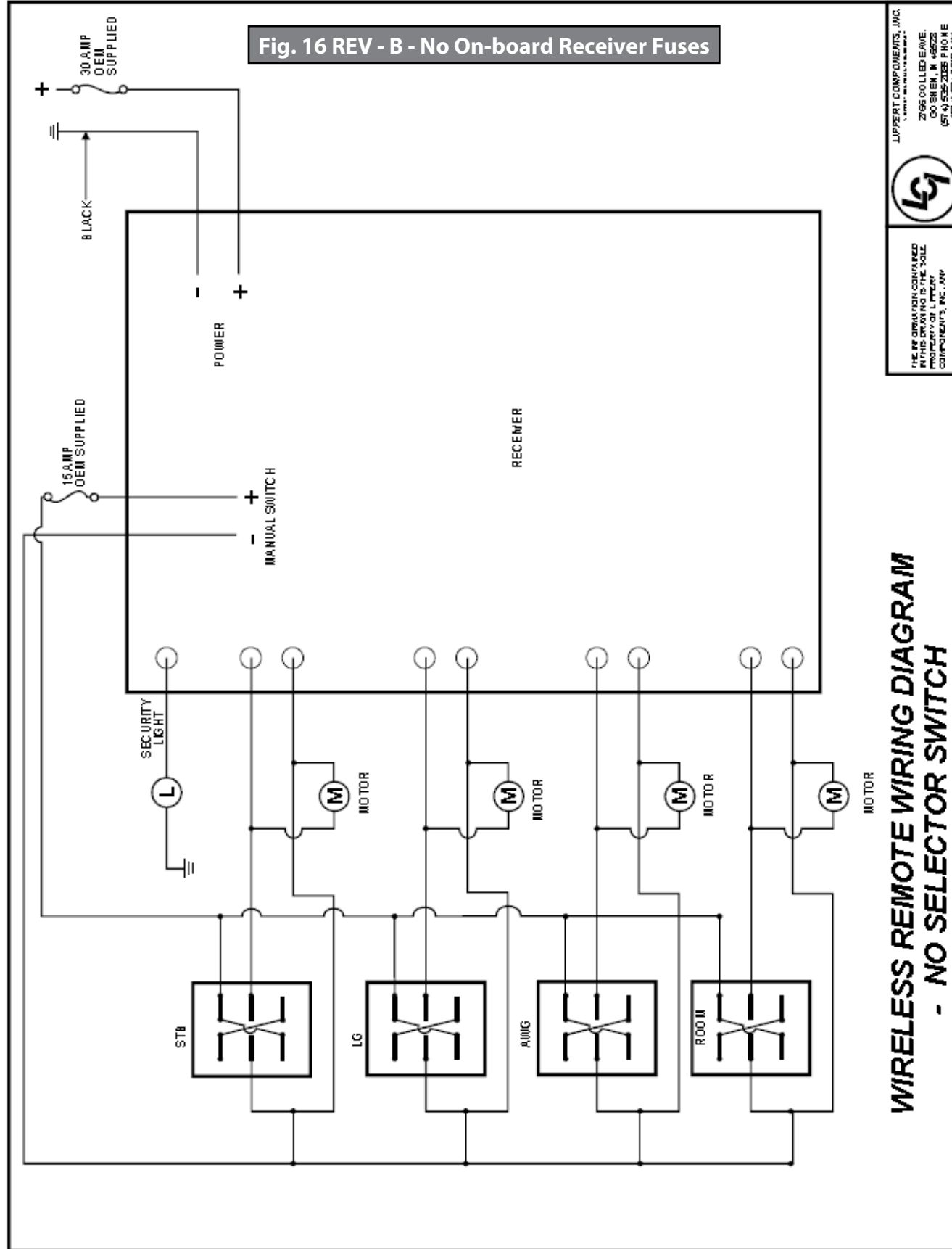
Fig. 15

Sprinter Part #191456

Fuzion - Raptor Part #183884

Transmitter Label Part #194228

Receiver Label Part #183738



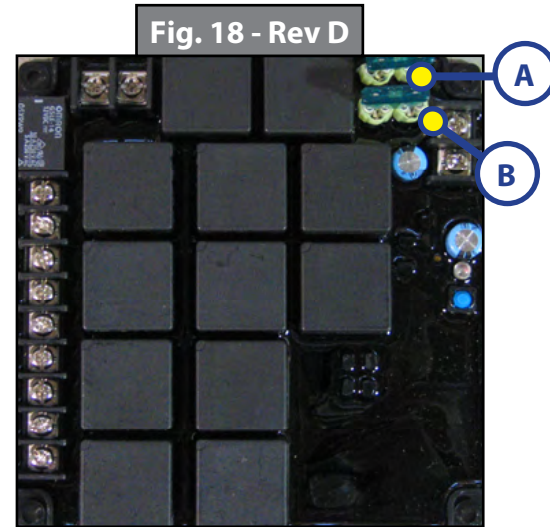
ELECTRONICS

Troubleshooting

If the wireless system is inoperative, troubleshooting can be performed fairly quickly.

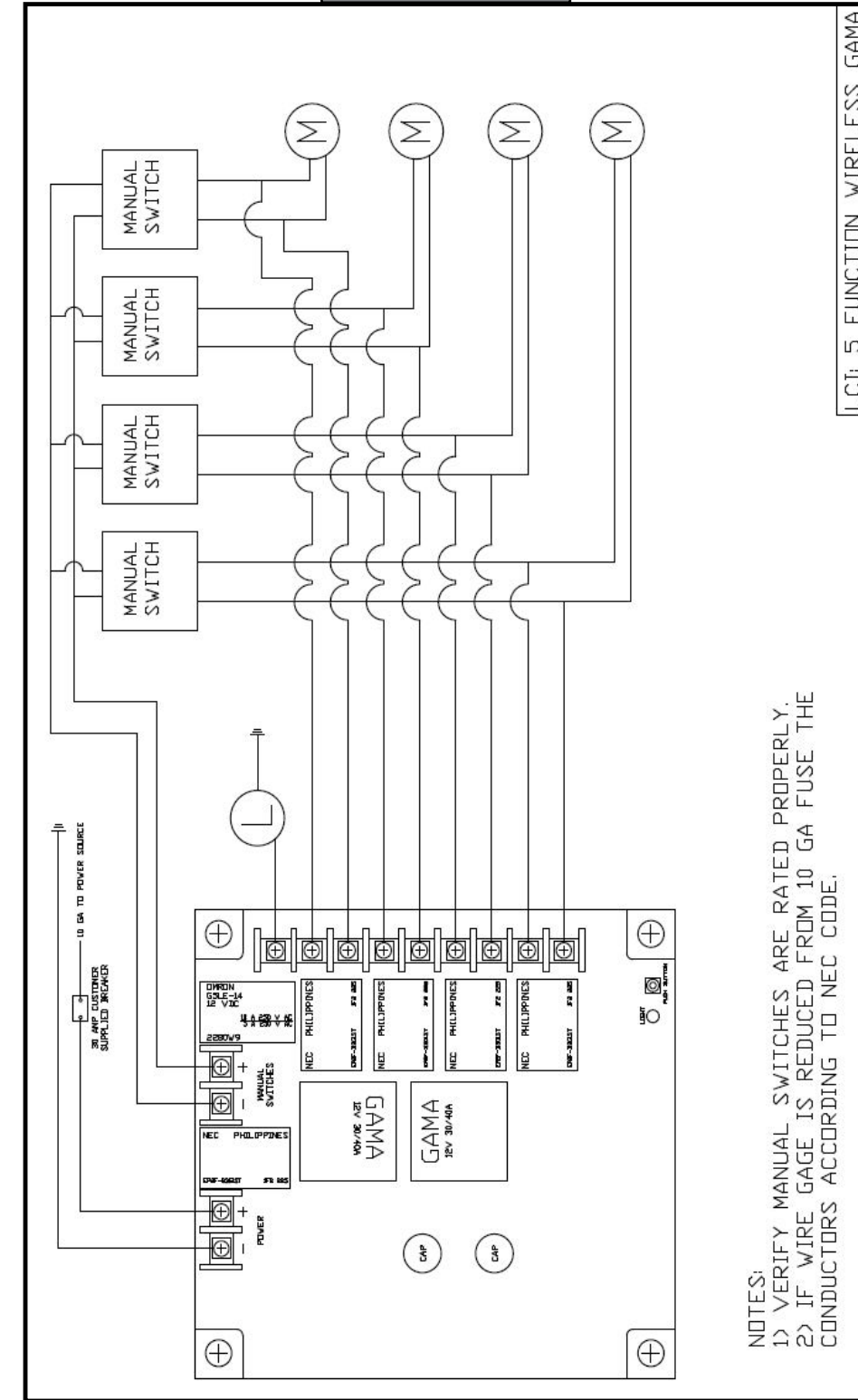
1. Check the battery in the remote. Replace if necessary.
2. Check for power into the receiver. If there is no power check the protection device on the positive wire feeding the receiver. Reset or replace the protection device.
3. Check on board fuses installed directly onto receiver, see Fig. 16 (revB), fuses (A) and (B) and Fig. 18 (revD).
4. When power into the receiver is established, check for power out to the manual switches. The positive wire also has a protection device in-line. If there is no power out to the manual switches, reset or replace the protection device.
5. Reprogram remote to the receiver. See page 1.
6. If system is still inoperative, replace receiver. See pages 2 & 3 for the specific models. To order the needed part(s). The receiver label must be accurately identified. The receiver is common to all units.

NOTE: Leaving security light on for extended periods of time will deplete battery power.



ELECTRONICS

Fig. 19 Schematic



NOTES:
 1) VERIFY MANUAL SWITCHES ARE RATED PROPERLY.
 2) IF WIRE GAGE IS REDUCED FROM 10 GA FUSE THE CONDUCTORS ACCORDING TO NEC CODE.

As a supplier of components to the RV industry, safety, education and customer satisfaction are our primary concerns. Should you have any questions, please do not hesitate to contact us at (574) 537-8900 or by email at customerservice@lci1.com. Self-help tips, technical documents, product videos and a training class schedule are available at www.lci1.com or by downloading the MyLCI app.