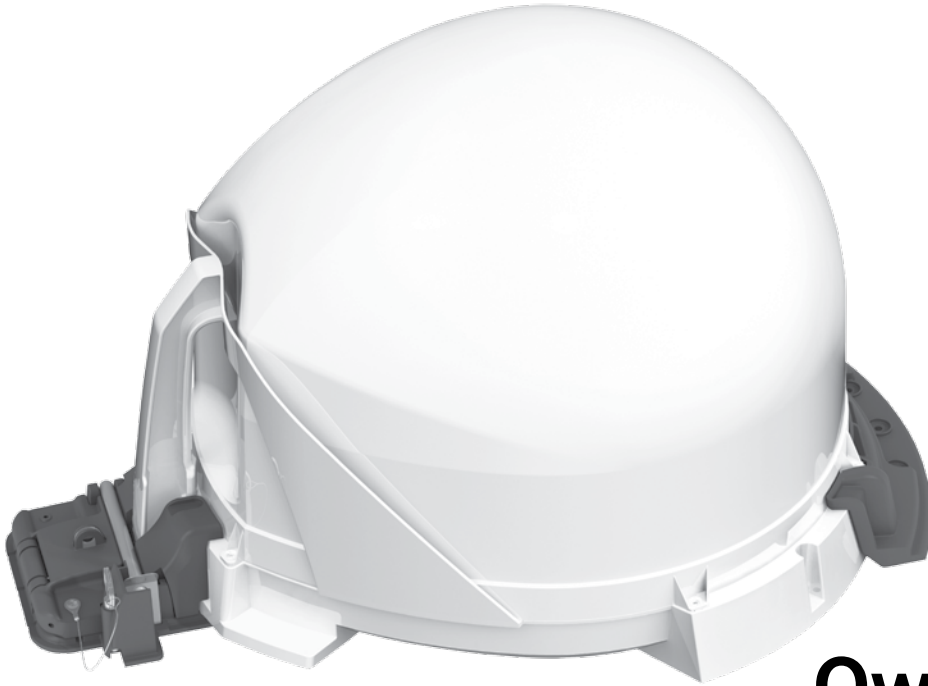




# Quick Release Roof-Mount Kit

---

**MB700**



## Owner's Manual

---

### Thank you for purchasing a KING product!

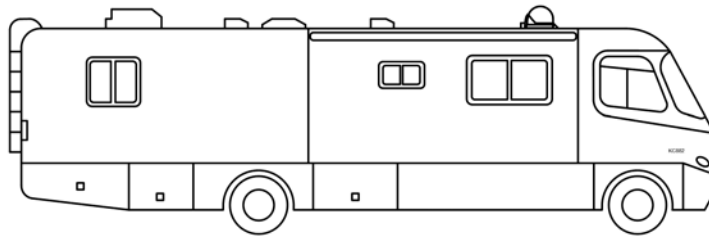
The KING Quick Release Roof-Mount provides a convenient way to securely mount your KING antenna to your vehicle, yet still allows quick and easy removal for portable use.

#### CONTENTS

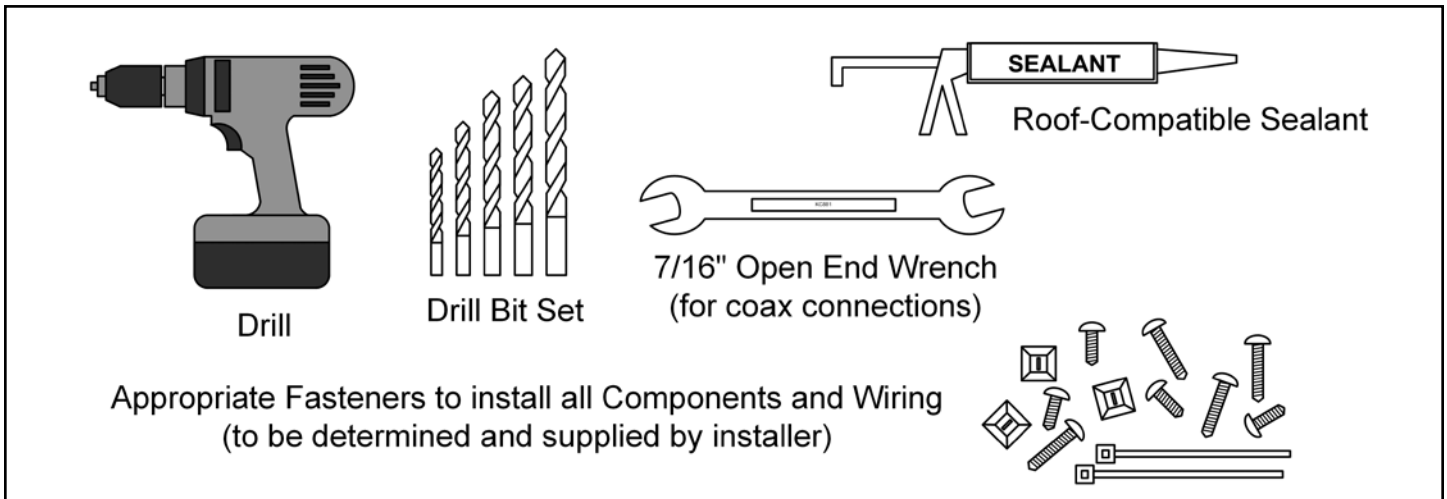
INSTALLATION.....	2-5
OPERATING NOTES.....	6
LIMITED WARRANTY.....	7

**IMPORTANT!** Please read thru the installation instructions before beginning.  
It is the responsibility of the installer to determine and supply appropriate fasteners and roof-compatible sealant.

# INSTALLATION



1. Make sure you have the following tools and materials before starting.



Many RVs are prewired with RG-6 coax cable for satellite antennas. Contact the manufacturer of your RV or your local RV dealer to verify where this cable is located.

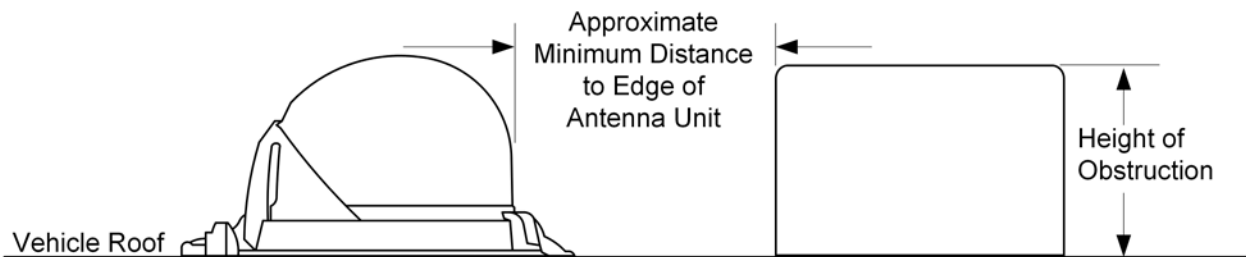
If prewired, run the existing coax cable from the prewire location in the roof to the antenna unit. When choosing the antenna unit location, make sure the prewiring will reach the antenna unit.

## ANTENNA UNIT LOCATION (See Illustration on next page)

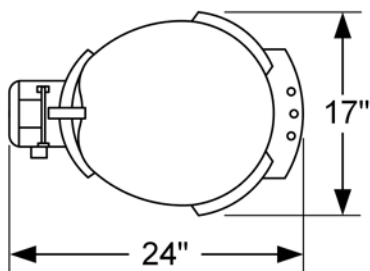
2. Select an area on the roof for the antenna unit, and the location where the wiring will enter the vehicle through the roof to the satellite receiver inside using the following criteria:
  - A shorter distance between the antenna unit and the satellite receiver is most desirable.
  - Make sure you have enough room to mount the antenna unit.
  - The antenna unit should be mounted on the center line of the vehicle, and not tilted more than 2 degrees in any direction.
  - There must be no line-of-sight obstructions. Air conditioning units, other antennas, and storage areas that are too close to the antenna unit may prevent the satellite signal from reaching the antenna unit.
  - Mount the antenna unit with the handle to rear of the vehicle.

# ANTENNA UNIT LOCATION

HEIGHT OF OBSTRUCTION	APPROXIMATE MINIMUM DISTANCE TO EDGE OF ANTENNA UNIT
10"	8"
11"	10"
12"	12"
13"	14"
14"	16"
15"	18"
16"	20"

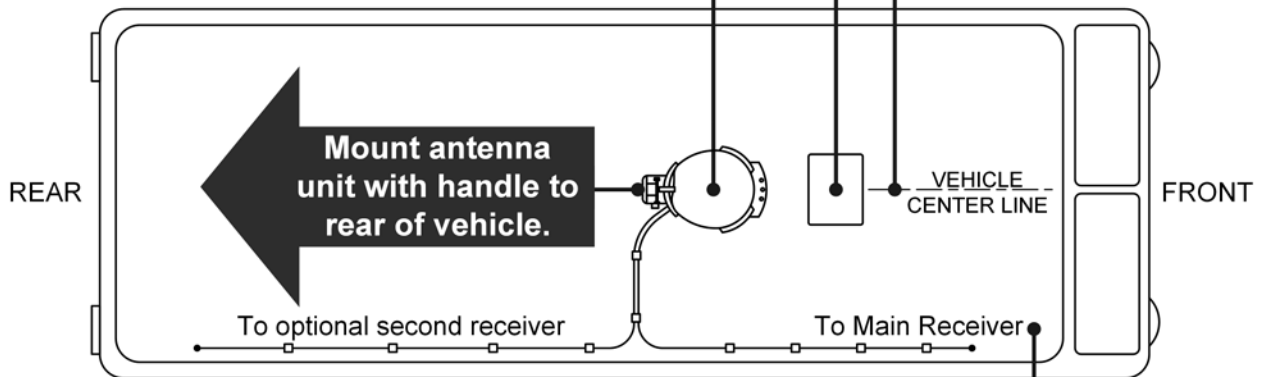


**Do not mount antenna unit too close to obstructions.**



**Choose a location with adequate space.**

**Mount antenna unit on center line of vehicle.**

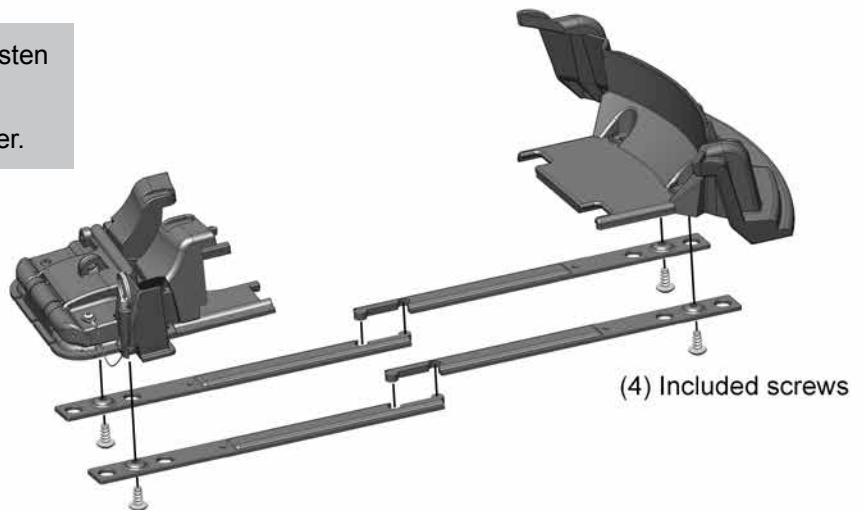


**Try to install antenna unit as close as possible to main receiver to minimize coax length.**

### 3. Assemble the MB700.

Press the (4) stringers into place and fasten with (4) included screws.

Press the two sets of stringers together.

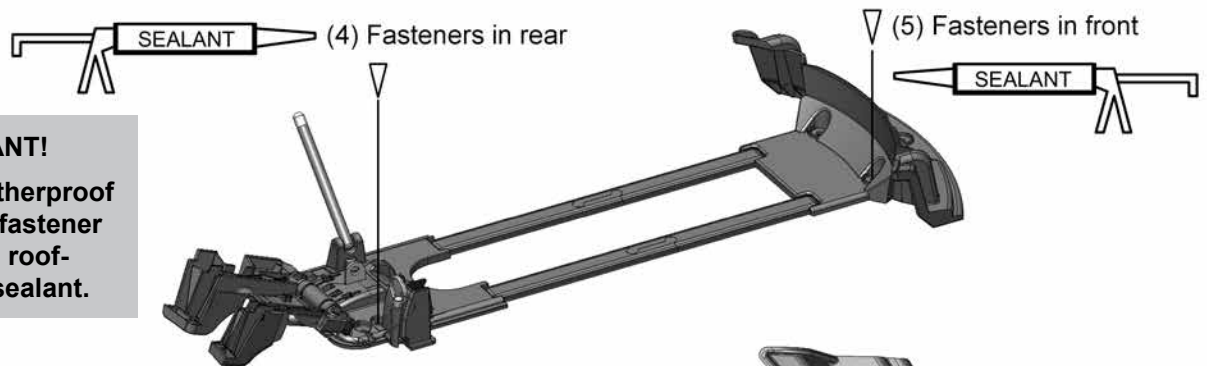


**IMPORTANT!** The installer is responsible for determining and supplying the most appropriate fasteners to secure the MB700 to the roof, and for weatherproofing all holes with roof-compatible sealant.

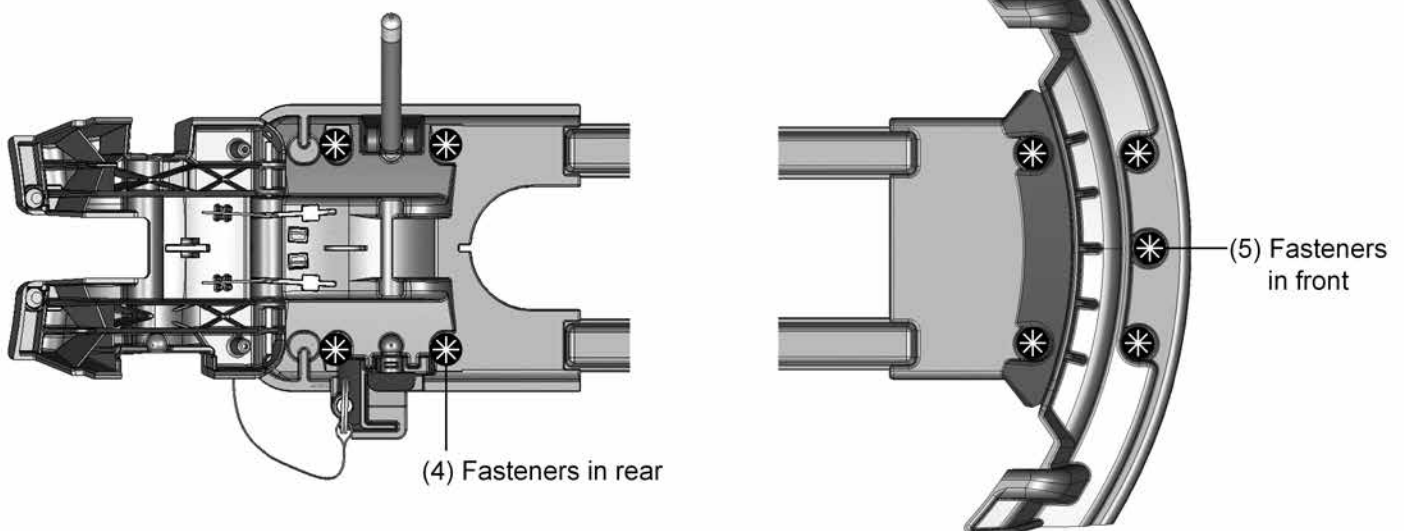
All holes and fastener heads must be sealed so they are completely waterproof.

### 4. Open the latching mechanism (see opposite page).

Mount the MB700 using the (9) mounting holes. Make sure to seal mounting holes and cover fastener heads with roof-compatible sealant.

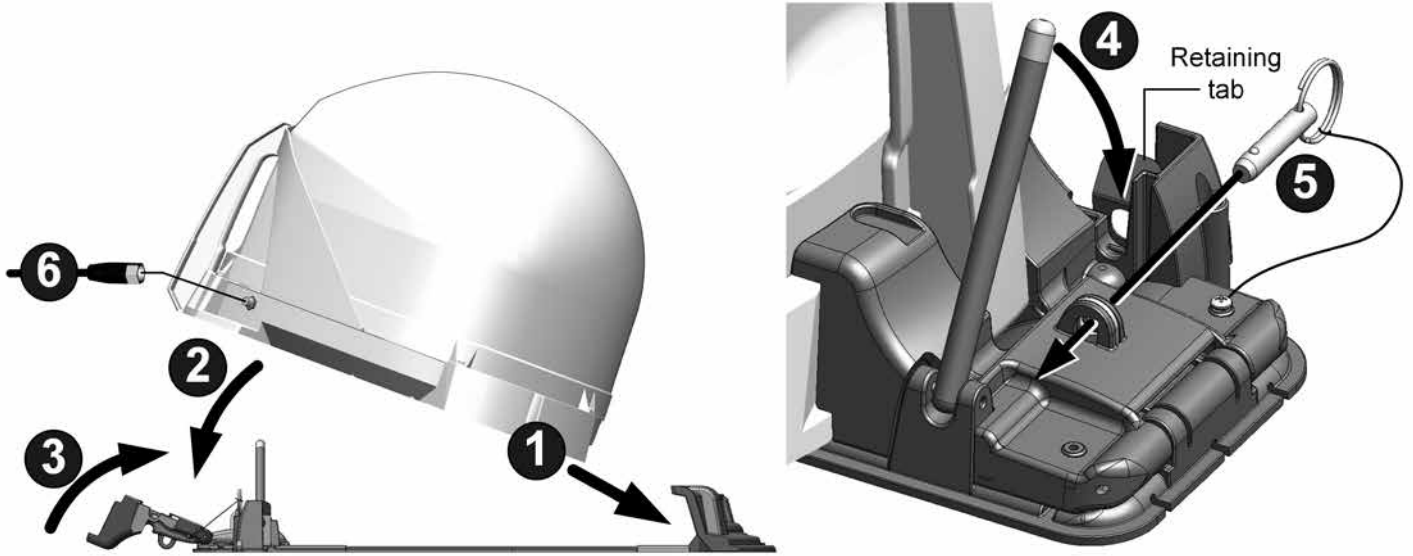


**IMPORTANT!**  
You must weatherproof all holes and fastener heads with roof-compatible sealant.



5. Engage the antenna unit into the MB700.

- 1 Insert front end of antenna unit into MB700.
- 2 Lower back of antenna unit into MB700.
- 3 Close the latch.
- 4 Snap retaining rod into retaining tab.
- 5 Insert safety pin.
- 6 Connect coax to antenna unit.

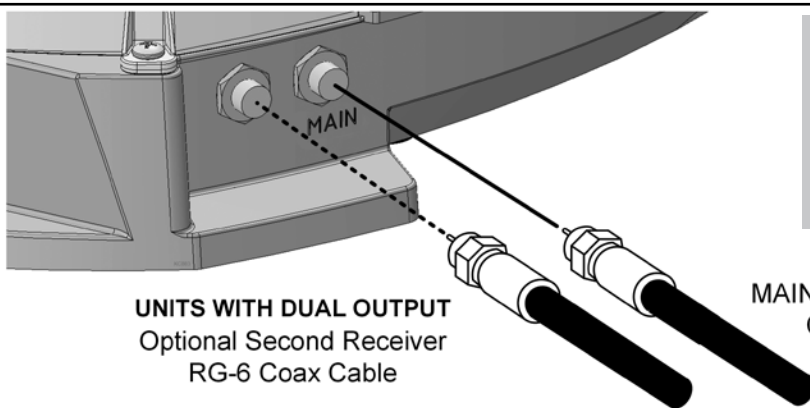


**TO REMOVE ANTENNA UNIT:**

Perform steps in reverse order (in step 4, press on retaining tab to release rod).

6. Connect coax to MAIN port and tighten connection. **DO NOT OVERTIGHTEN.**

If your antenna unit has two coax ports and you wish to use a second receiver, connect the end of a second coax (sold separately) to the AUX port. **DO NOT OVERTIGHTEN.**

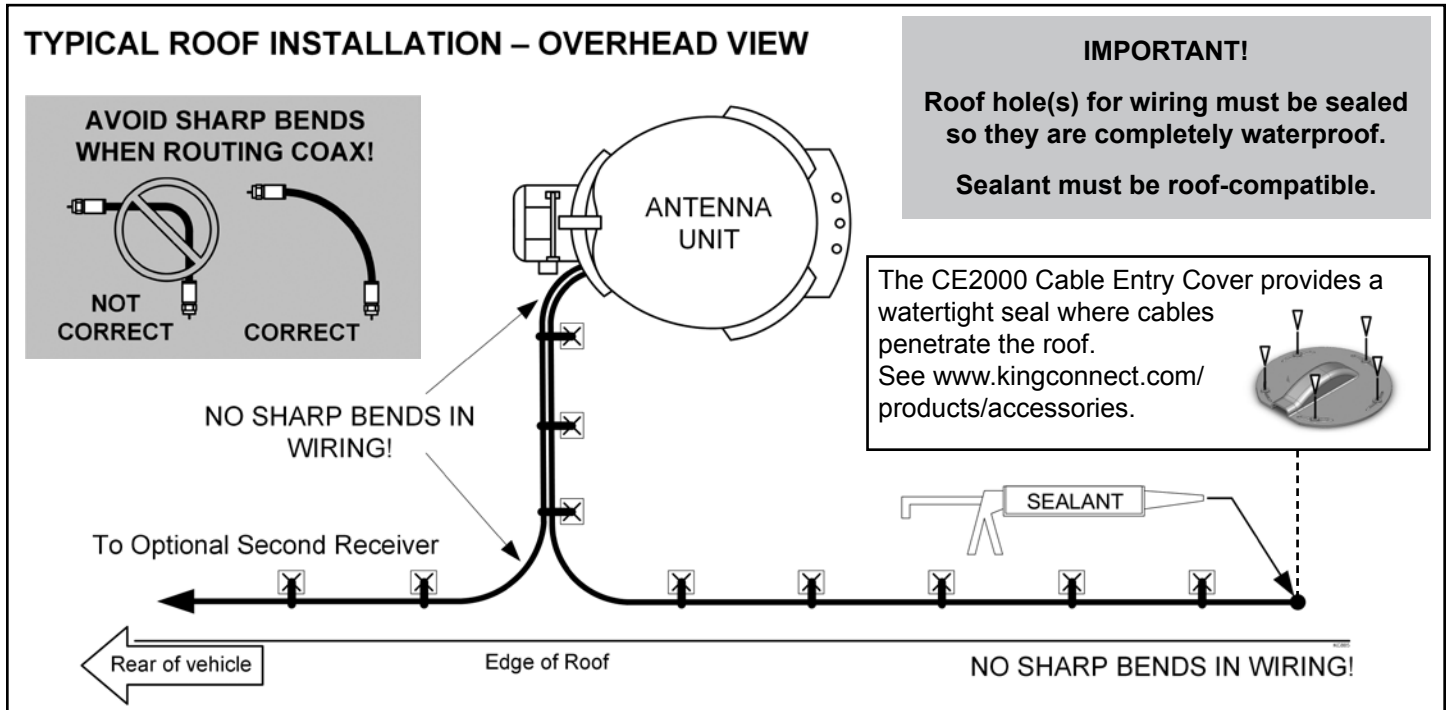


**UNITS WITH DUAL OUTPUT**  
Optional Second Receiver  
RG-6 Coax Cable

Second receiver coax sold separately.

**IMPORTANT!**  
The coax from the "MAIN" port must always be connected to the main receiver.  
Coax connections should be snug.  
**DO NOT OVERTIGHTEN COAX!**

- Run coax from the antenna unit to the roof edge, then along edge to location where coax will enter the vehicle. If installing an optional second receiver, run second coax to location where it will enter the vehicle. Secure (both) coax to roof every 12-18 inches (see below).
- Drill 3/4" hole through the roof and into the cabinet where receiver is stored. Feed coax down through hole. Seal opening with roof-compatible sealant so that it is completely waterproof (inside and outside of the 3/4" hole). Repeat for second coax if present.



- Inside vehicle, make connections as shown in your owner's manual.

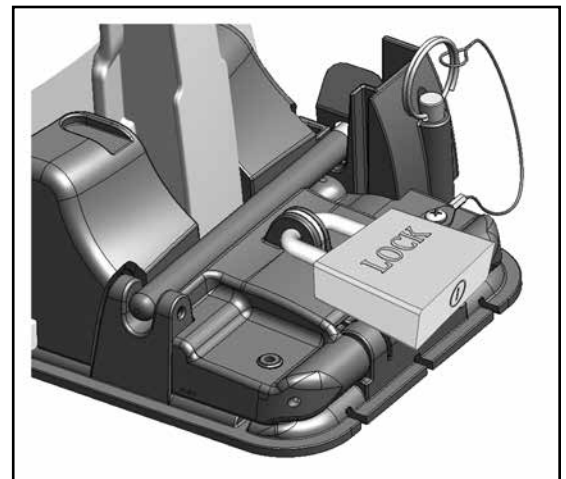
## OPERATING NOTES

Use the steps on page 5 to engage and disengage the antenna unit from the MB700.

**If the antenna unit will be removed from the MB700 for any length of time, close the latching mechanism (steps 3-5).**

A padlock may be used instead of the safety pin to deter theft.  
Lock not included. Recommended lock shank size = 5/16".

**IMPORTANT! Do not powerwash any part of the KING MB700.**



# LIMITED WARRANTY

KING MB700 Quick Release Roof-Mount Kits are thoroughly inspected and tested before leaving the factory, and are covered by the following limited warranty from the date of original purchase:

- One-year parts warranty: The customer is not responsible for the cost of replacement parts if the original part is determined to be defective under the terms of the warranty. The customer is responsible for the cost of replacement parts after one year.

Only KING may perform warranty evaluations and repairs.

Should any trouble develop during the warranty period, contact KING at (952) 922-6889. You must contact KING before the warranty period expires. The customer must supply proof of purchase (such as a dated sales receipt) when requesting warranty service. If the customer cannot supply proof of purchase, warranty period shall start 30 days after date of manufacture.

If it is determined that the unit needs to be returned to KING, customer must return COMPLETE product, freight prepaid, to:

**KING, 11200 Hampshire Avenue South, Bloomington, MN 55438-2453.**

If inspection shows the trouble is caused by defective workmanship or material, KING will repair (or at its option, replace) without charge.

When returning product, KING will supply an RMA number (Return Merchandise Authorization). This number must be clearly written on the box. Failure to clearly write RMA number on box may result in delays in processing claim. Along with product, customer should include in the box: his/her name, address, daytime phone number, proof of purchase and description of the problem.

This warranty does not cover installation and external wiring (if applicable), or remanufactured units. This warranty does not cover damage caused by the use of an accessory other than a KING accessory designed for the product. This warranty is not transferable from the original owner.

KING cannot be held responsible for changes outside of its control that cause the product to no longer operate correctly.

This warranty also does not apply where:

- The product has been abused, misused, improperly installed or improperly maintained.
- The product has been used with an accessory other than a KING accessory designed for the product.
- Repairs have been made or attempted by others.
- Repairs are required because of normal wear and tear.
- Alterations have been made to the product.
- The product or any associated component has been opened without authorization or disassembled to any degree.
- Damage has been caused by powerwashing.
- Circumstances beyond the control of KING cause the product to no longer operate correctly.
- Customer is not the original owner.

In no event shall KING be liable for any indirect, incidental, or consequential damages from the sale or use of the product. This disclaimer applies both during and after the term of the warranty.

KING disclaims liability for any implied warranties, including implied warranties of "merchantability" and "fitness for a specific purpose," after the term of this warranty.

This warranty gives you specific legal rights, and you may also have other rights, which vary from state to state. Some states do not allow the exclusion or limitation of incidental or consequential damages, so the above limitation or exclusion may not apply to you. Some states do not allow limitations on how long an implied warranty lasts, so the above limitation may not apply to you.

**Simply better, by design.™**



---

11200 Hampshire Avenue South, Bloomington, MN 55438  
PH 952.922.6889 || FAX 952.922.8424 || [kingconnect.com](http://kingconnect.com)

©2017 KING 22588 Rev A