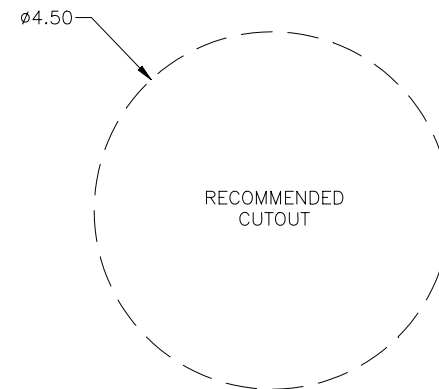
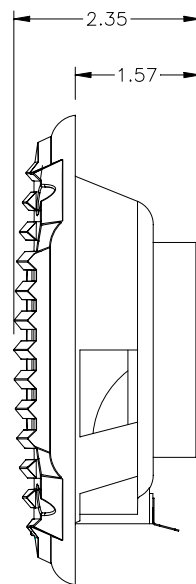
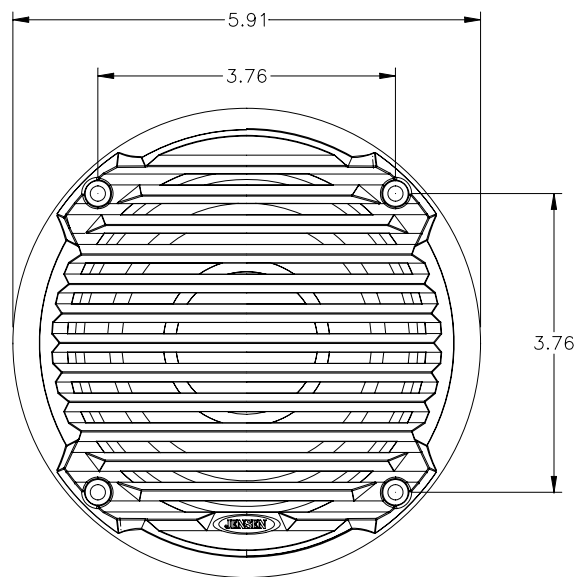


TECHNICAL DATA

MS5006W: 5" Low profile marine speaker



FEATURES:

- Waterproof Marine grade speaker
- Corrosion Resistant (ASTM-B117 compliant)
- UV Resistant (ASTM-D4329 compliant)
- One-piece molded chassis with integrated drip-edge.

Specifications:

General Specifications:

Woofer Size	5.25"	
Woofer Material	Grey PP cloth surround	
Tweeter Type	Whizzer Cone	
Tweeter Material	Mylar	
Voice Coil Size	3/4"	
Magnet Weight	2.9oz	
Mounting Depth	1.57"	
Hole Size	4 1/2"	
Impedance	4 Ohms	
Temperature Range	-30°C - 70°C	-22°F - 158°F
Max RH	100%	
Terminal Size	Positive - 1/4"	Negative - 1/5"

Performance Specifications:

Frequency Response	79 Hz – 20 KHz
RMS Power Range	12W
Max Input Power	30W