

FURRIION

32" LED HD TV FEHS32D9A



Designed and tested
for extreme climates



Designed and tested
for vibration resistance



720P
High Definition

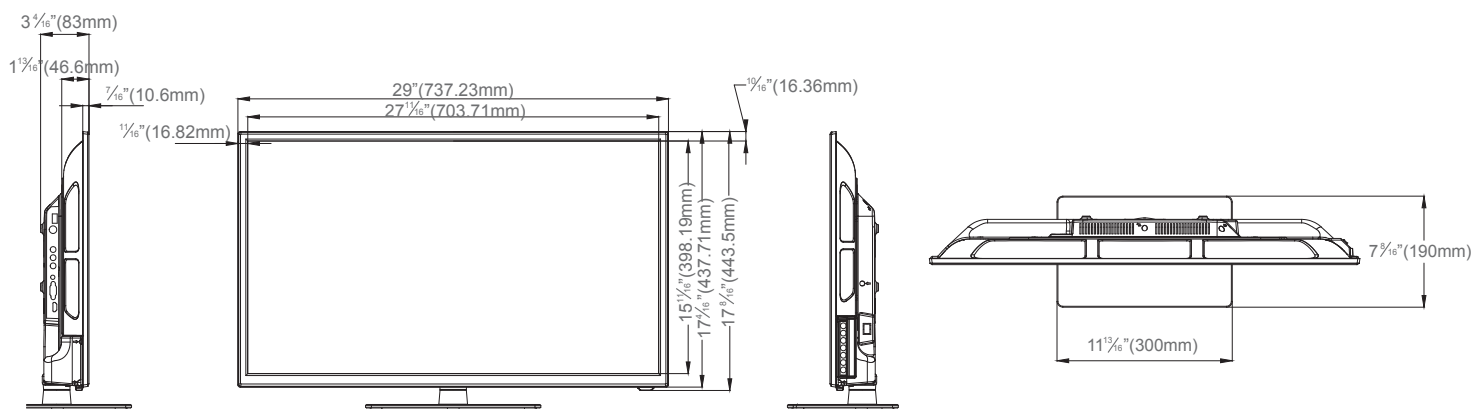


Communicates with
Furrion RV series stereo's

- * Vibrationsmart - designed and tested for vibration resistance
- * Climatesmart - designed and tested for extreme climates
 - * Furrion smart link communication
 - * Front or side access buttons
 - * Metal backs for extra durability
 - * Custom Furrion upgraded speakers and amplifier
 - * Added Led strips for extra brightness and picture quality

32" LED HD TV

FEHS32D9A



Panel Specifications

| | |
|----------------|-----------------------|
| Screen Size | 32" |
| Resolution | 1366x768 |
| Refresh Rate | 60Hz |
| Contrast Ratio | 1400:1 |
| View Angle | 178 degree/178 degree |

Broadcasting System

| | |
|---------|------|
| Analog | NTSC |
| Digital | ATSC |

Audio

| | |
|--------------------------------|------------------|
| Mono/Stereo/Dual (MTS/SAP) | √ |
| Audio Output (Watts - THD 10%) | 10W x 2 |
| Speaker System | 1 Way 2 Speakers |
| Dolby Digital Decoder | √ |
| Surround System | √ |
| Bass/Treble/Balance | √ |
| Auto Volume Leveler | √ |
| Sound Mode | 5 Modes |

Special Features

| | |
|----------------------|--|
| Smart Energy Saving | √ |
| 1080p Source Input | HDMI 60p/30p/24p Component 60p/30p/24p RGB 60p/30p/24p |
| Input Labeling | √ |
| Child Lock | √ |
| Closed Caption | √ |
| ARC Audio out | √ |
| Smartlink (HDMI CEC) | √ |

Convenience Features

| | |
|------------------------------|-----------------------------------|
| Language | English/Spanish/French/Portuguese |
| Auto Tuning/Programming | √ |
| Channel Add/Delete | √ |
| Favorite Channel Programming | √ |
| Auto/Manual Clock | √ |
| On/Off Timer | √ |
| Sleep Timer | √ |
| Auto Off (Sleep) | √ |

AV Inputs & Outputs

| | |
|-----------------------------------|---|
| Number of HDMI Input | 3 |
| Number of D-Sub (VGA) Input | 1 |
| Number of Component (YPbPr) Input | 1 |
| Number of Composite AV Input | 1 |
| Number of Antenna (RF) Input | 1 |
| Number of USB Input | 1 |
| Number of Audio LR Output | 1 |
| Number of 3.5mm Headphone Output | 1 |
| Number of Coaxial Audio Output | 1 |

Cabinet

| | |
|-----------------|-------------|
| Vesa Compatible | 200 x 100mm |
|-----------------|-------------|

Dimensions/Weight

| | |
|-----------------------------|-------------------------|
| TV without Stand(WxHxD) | 29.24" x 3.18" x 17.50" |
| Shipping Dimensions (WxHxD) | 31.89" x 5.95" x 20.47" |
| Shipping Weight(kg) | 6.7 |

* Note: "√"=Equipped

Certified to 1.6G

