



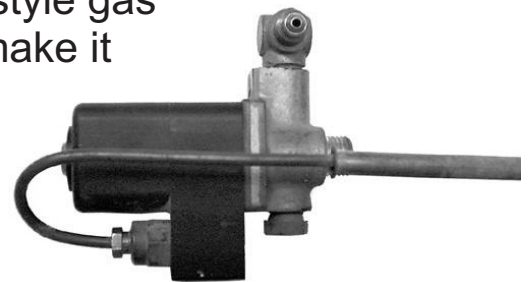
DINOSAUR ELECTRONICS

1160 SE 27th St.
Lincoln City, OR 97367
(541) 994-4344

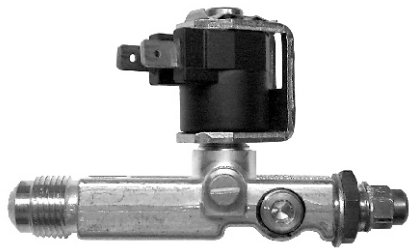
Micro P-246 Instructions

The Micro P-246 Plus board is a replacement control Board for Dometic refrigerators. It has been designed to replace Dinosaur Electronic's Micro P-24 2-way, Micro P-24 3-way, Micro P-26 and all of the Dometic model boards that they will replace. The board comes configured to work in 3-way refrigerators and a jumper can be cut to make it work in 2-way refrigerators.

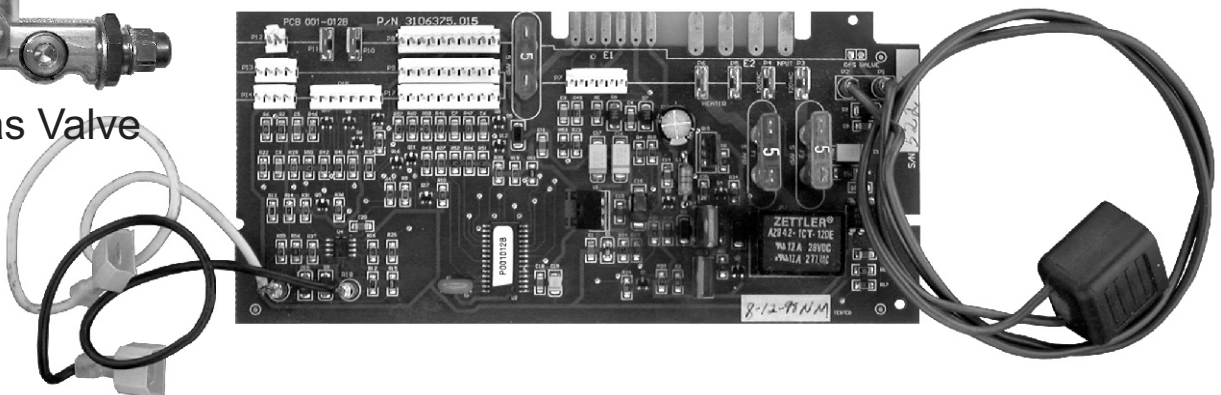
The board comes configured to work with the old style gas valve shown on the right. A jumper can be cut to make it work with the new style gas valve that comes with Dometic's kit shown below.



Old Style Gas Valve (Webber)



New Style Gas Valve

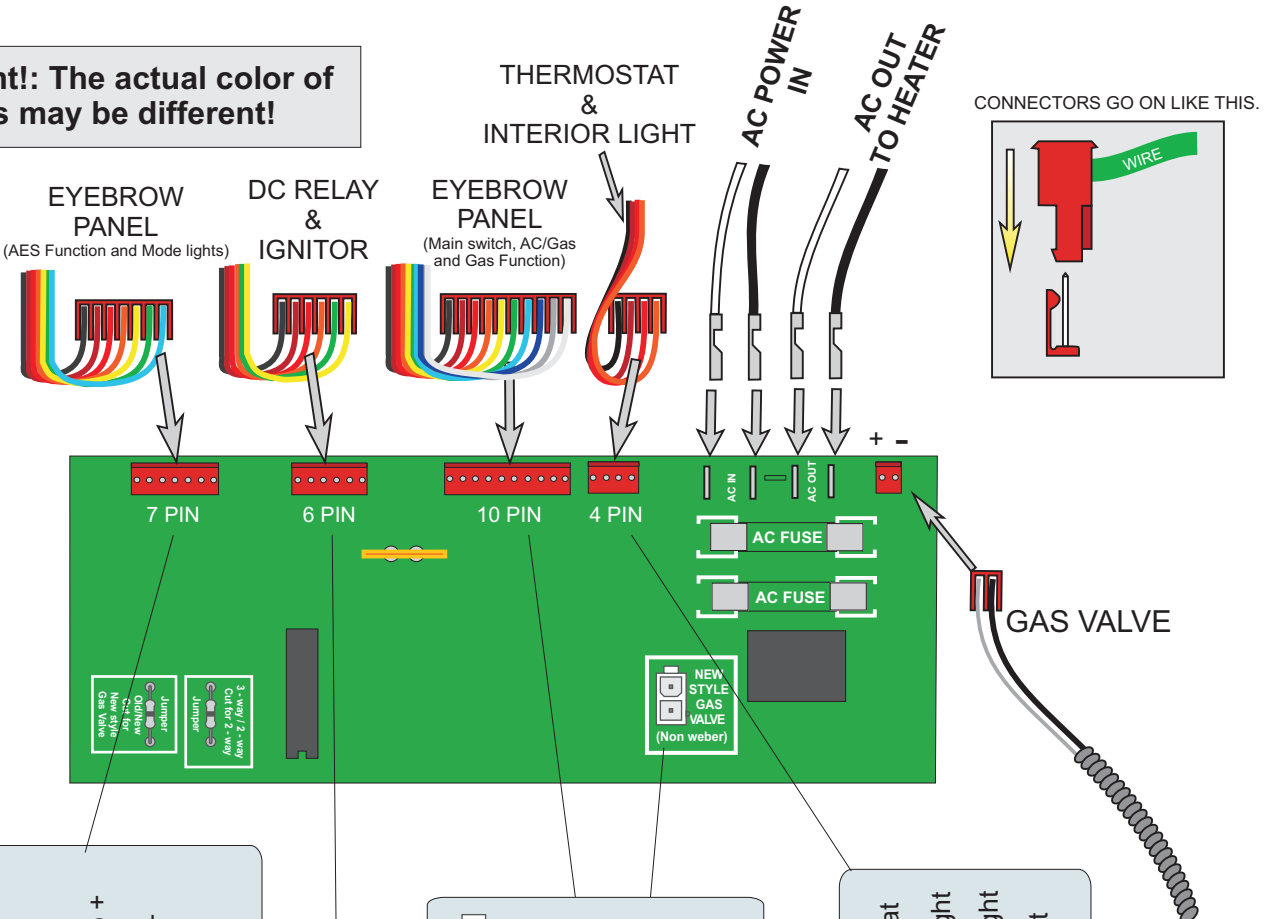


If you have one of the following Dometic refrigerator models: RM663, RM763, RM773, RM1303, RM3500, RM3600, RM3800 That uses Dometic's kits with the new style gas valve, use Dinosaur Electronics Micro P-1338 Rev. 5 board.

If you have one of the following Dometic refrigerator models: RM2602, RM2603, RM2802, RM2803, RM3501, RM3601, RM3604, RM3801, RM3804, RM4801, RM4804, RM4808.002, RM4804.004, RM4804.005, RM4804.006, RM7030 Prod. #921890201 or RM7030 Prod. # 921890301 that uses Dometic's kits with the new style gas valve Then use Dinosaur Electronics Micro P-246 Plus board.

Pinouts for the MICRO P-246 Plus Board

Important!: The actual color of the wires may be different!



7 Pin

- AES function switch IN
- AES function lamp +
- AC mode lamp +
- DC mode lamp +
- Delay mode lamp +
- Gas mode lamp +
- GND to eyebrow

2 Pin

- GND to Gas valve
- + 12v to Gas valve

4 Pin

- GND to thermostat
- +12v to interior light
- GND to interior light
- Thermostat circuit

6 Pin

- Ignition Interlock
- +12v to reignor
- + 12v to DC relay
- Pulses from reignor
- GND from Battery
- +12v from Battery

10 Pin

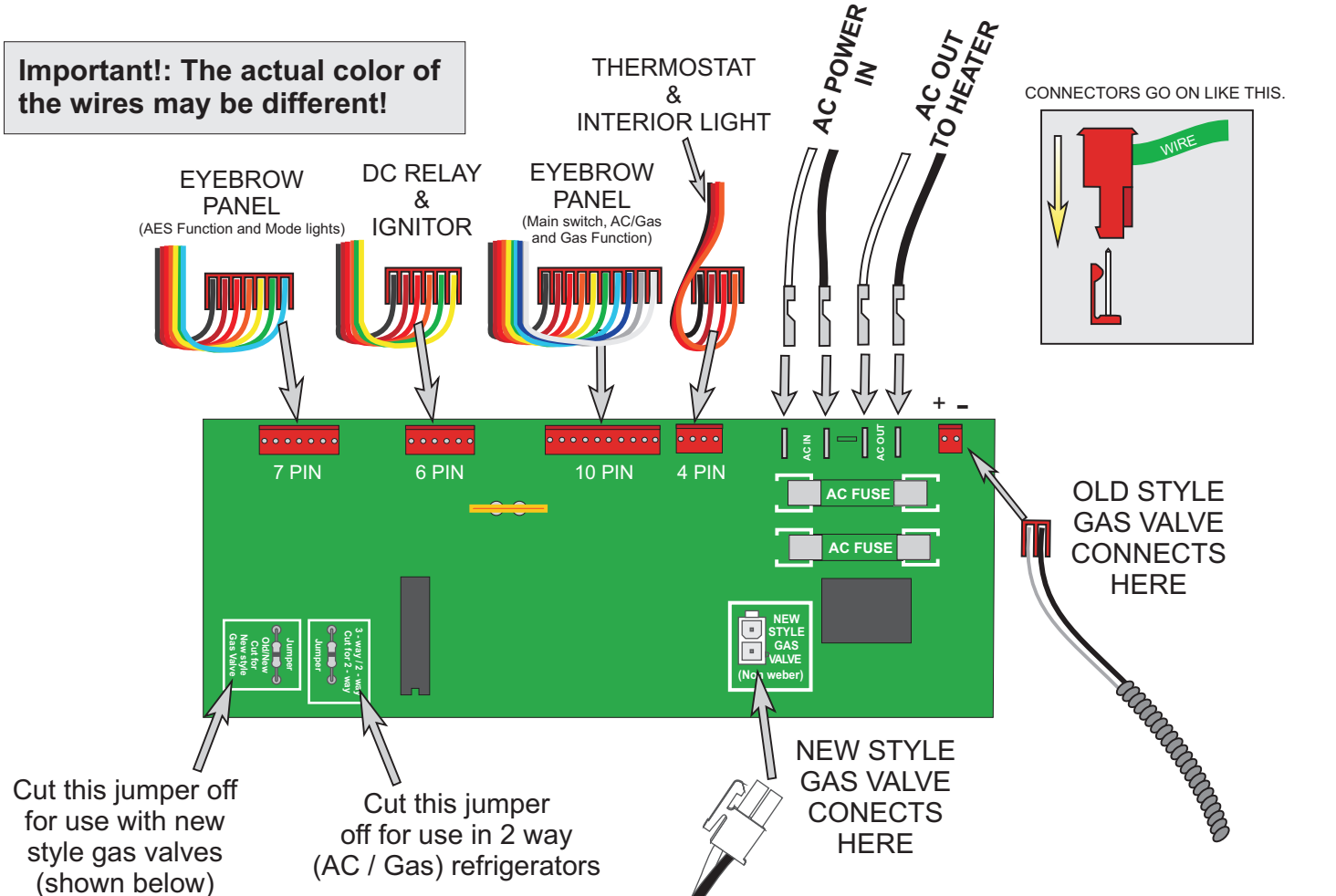
- Gas warning lamp +
- +12v to Main switch
- +12v from Main switch
- GND to Main switch
- Gas valve closure circuit
- Gas valve circuit
- AC/Gas function switch IN
- Gas function switch IN
- AC/Gas function lamp +
- Gas function lamp +

Jumper
 - Old style
 - New style
 - Gas Valve
 - New Style Gas Valve

NEW STYLE GAS VALVE
 (Non weber)

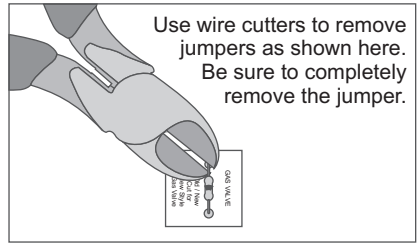
Installing the MICRO P-246 Plus Board

Important!: The actual color of the wires may be different!

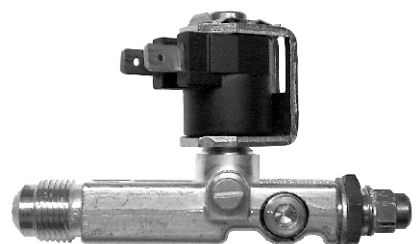
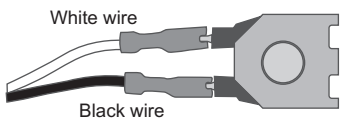


Cut this jumper off for use with new style gas valves (shown below)

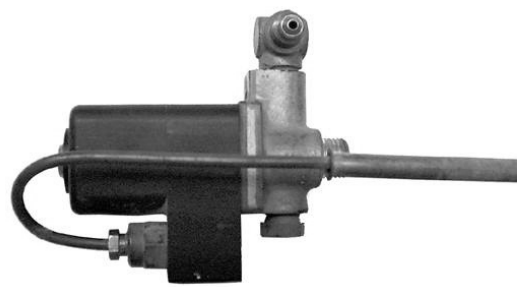
Cut this jumper off for use in 2 way (AC / Gas) refrigerators



- 1) If the refrigerator is a 3 way, leave the 2 way jumper alone. If it is a 2 way, completely remove the 2 way jumper.
- 2) Determine which gas valve type you are using (see gas valve types at the bottom of this page). If you are using the old style gas valve do not cut the jumper. If you are using the new style gas valve completely remove the jumper.
- 3) When reconnecting the wires to the board, 2 way refrigerators may not have the 7 pin connector.



New Style Gas Valve



Old Style Gas Valve (Webber)