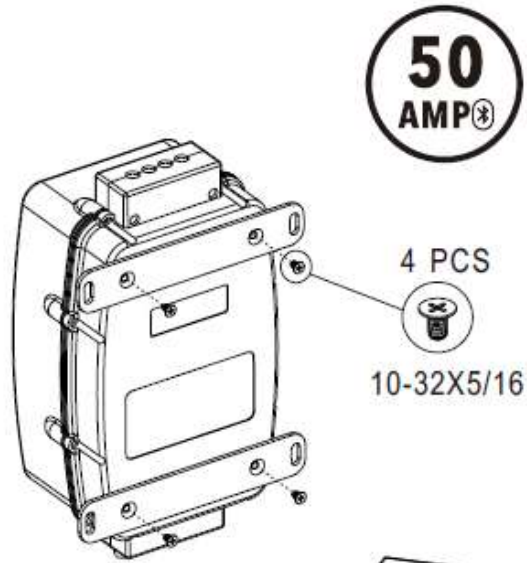




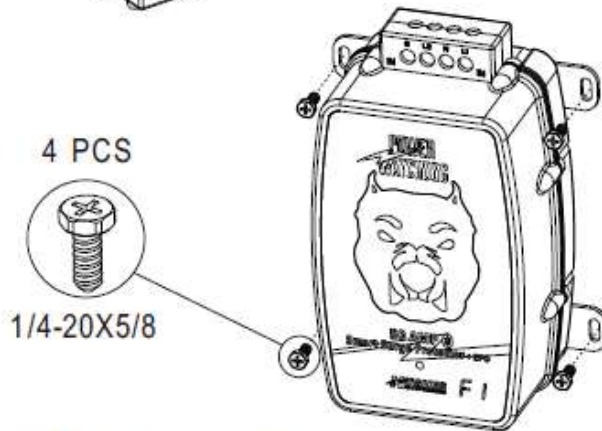
### STEP 1

How to install the brackets on the unit



### STEP 2

How to install the unit in the compartment



### STEP 3

Input & output wiring diagram

