



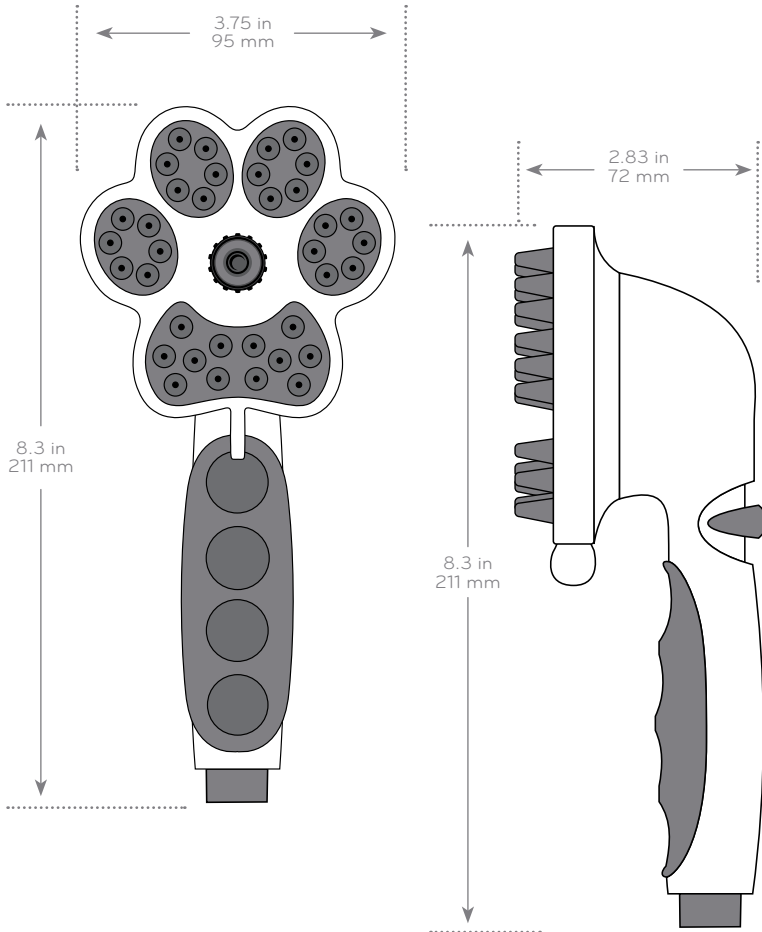
PETJET®

70162 Tan/Gray

2.5 GPM

Submitted Model No.: \_\_\_\_\_

Specific Features: \_\_\_\_\_



### PRODUCT SPECIFICATIONS:

- Dimensions: 3.75" x 2.83" x 8.3"
- Weight: 1.275 lb.
- Max Flow Rate: 2.5 GPM
- Available Finishes: Tan/Gray

### SETTINGS:

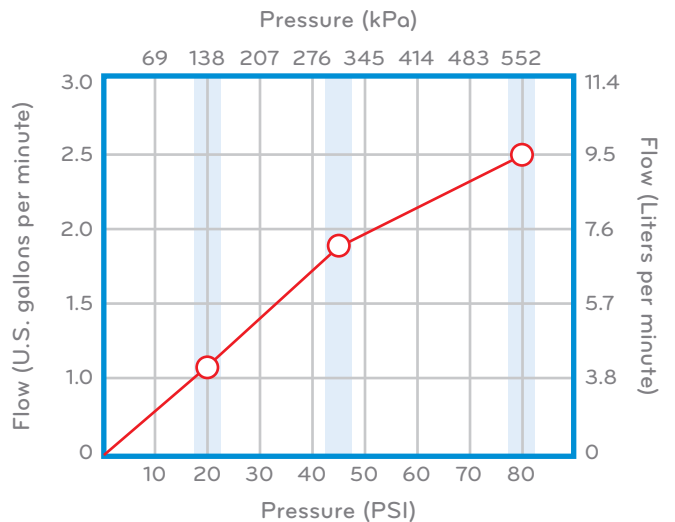


### FEATURES:

- + 3 powerful spray settings with **Oxygenics technology** rinse and clean fast.
- + **Convenient flow control lever** quickly adjusts pressure to fit your pet.
- + **Non-slip rubber grip** means no more fumbling with a slippery, soapy handheld.
- + **Long rubber nozzles** enable gentle massaging while rinsing.
- + **Extra-long 120" coil hose** easily stretches to reach every part of your pet.
- + Included adapters make it **easy to clean your pet in the shower, sink or outside.**
- + Non-stick internal parts **prevent clogging and ensure long-lasting performance.**

### WHAT'S INCLUDED:

- + Handheld Washer + 120" Coiled Hose
- + 2-Way Shower Adapter + Sink Adapter
- + Outdoor Spigot Adapter + Plumber's Tape



○ Oxygenics 2.5 GPM

### "NEVER CLOG!" Warranty

Limited lifetime performance warranty against failure or clogging.