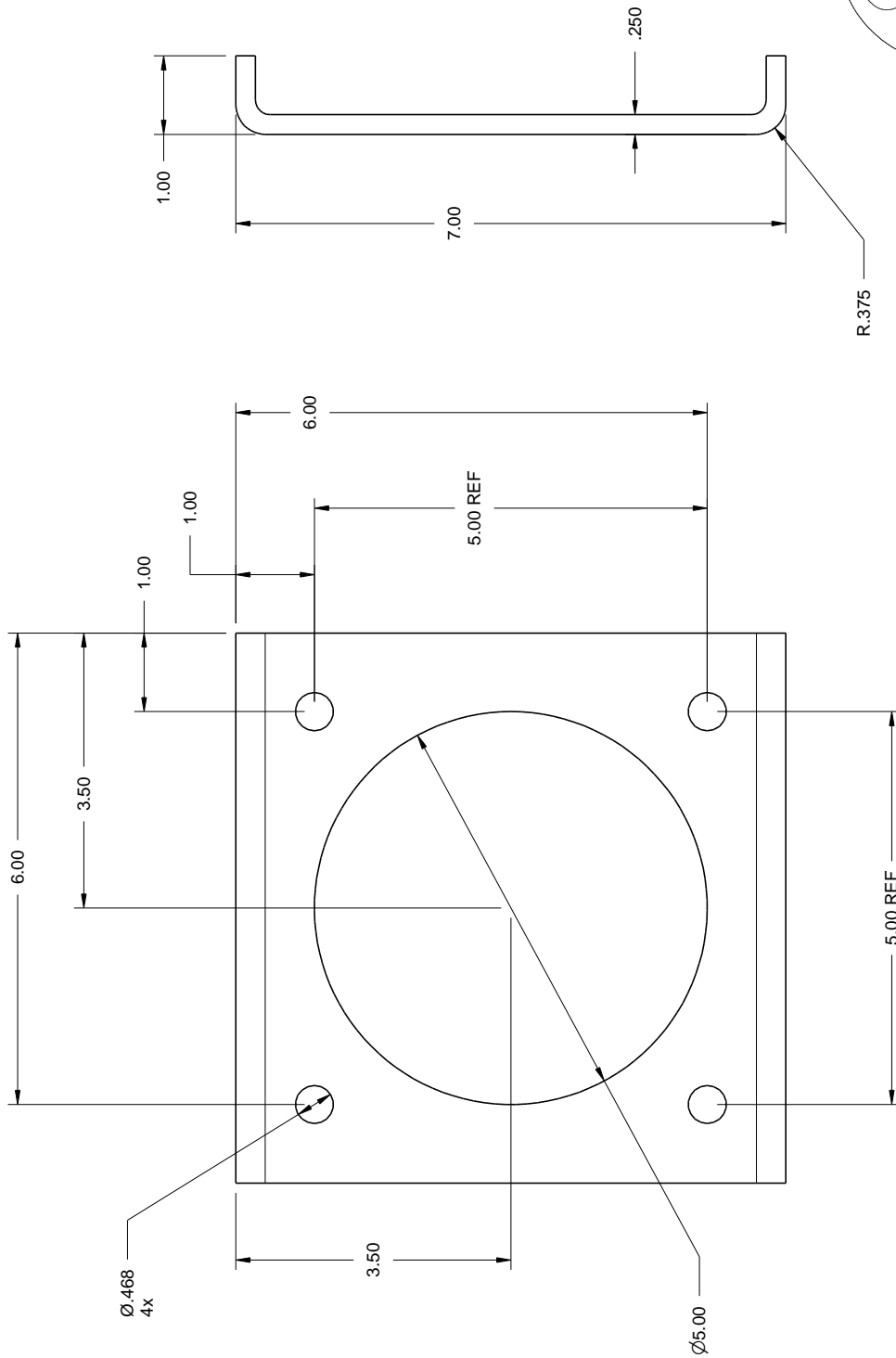
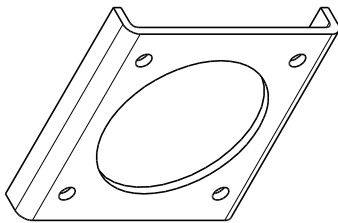


STANDARD BRACKET M28000



QUALTRA
MANUFACTURING

305 US 131 SOUTH (269) 483-9634
WHITE PIGEON, MI 49099 483-9636 (FAX)
PART: STANDARD BRACKET M28000
ASSEMBLY:
DRWG BY: B. SLACK > DATE: 2/14/11
ANSI TOLERANCES: 0.00± .010 > 0.000± .005
MATL: ASTM A-36 1/4" PLATE

REVISED ADDED HOLE FOR LIGHTWEIGHT SYSTEMS & OPENING FOR WELDING PURPOSES 2010.