

Using Remote & IR TX/RX Kit (Cont'd).

- With the IR components in place you can now control any device that has an **IR EYE (1)**, and **IR BULLET (2)**. Simply switch sources with the **QS53E REMOTE (3)** (sold separately). To change the source you are watching, simply press the source number that is desired for that TV location on the **QS53E REMOTE (3)**. This allows you to switch between sources quickly and easily.
- **IR EYE (1)** modules allow a source, such as a Blu Ray Player or Satellite Receiver, to be controlled through the QS53E box using the source manufacturers remote. For example, if you wanted to control your Blu Ray Player, You will need 1. The remote for the source unit, 2. An **IR BULLET (2)** and 3. An **IR EYE (1)**. Now when you point the remote control at the **IR BULLET (2)** it sends the signal through the QS53E unit and to the **IR EYE (1)** to allow you to control the source device.

Optional Wireless Remote (# QS53E-WR)



Optional IR TX / RX Wireless Kit (# QS53E-IRK)



SPECIFICATIONS

Input Port	4 Coaxial "F" and 1 composite RCA
Output Port	3 Coaxial "F" and 1 composite RCA
Output Resolutions	480P, 576P, 720P
Output channel (from modulator)	CS=1:3ch&CS=0:4ch (NTSC 61.25MHz &67.25MHz)
RF Frequency	5 - 1,000 Mhz
RF I/O impedance	F Jack 75 Ohm
Power Supply	DC 12 Volts
Current consumption	21 mA typical/30 mA max. 12V ±0.2V 300mA
Supply Voltage MOD:	Operation 12V DC output on (TV ANT.IN) port
Operating temperature range	-35°C to 70°C
Operating humidity	less than 85%
Storage temperature range	-40°C to 80°C
Storage humidity	less than 90%
Chassis Dimension (LxWxH)	13" x 4-3/4" x 2 3/16" (330mm x 120mm x 55mm)
Weight (Shipping Weight)	1.1lb. (1.5lbs.)
Warranty	1 year



QuestTechnologyIntl.com



**Model No. QS53E
Video Control Center
Users Manual**



Features:

- 5 inputs and 3 outputs
- DVD Loop Through
- Built-In Video Modulator
- Built-In 12 VDC power supply
- Auto-Reset fuse within power supply circuit

The front of the QS53E model contains 3 groups of LED indicators. Each group represents a TV location in the RV labeled "TV 1", "TV 3" and "TV 2". Whichever LED indicator is lighted is the input source you will be watching on that TV location. For example, if the LED above "CABLE TV" is lighted in the section for "TV 1" you will be watching the "CABLE TV" input on the TV that is identified as TV1.

HOOKING UP THE ROOF ANTENNA TO THE QS53E UNIT

It is important to note that when the LED light next to the "POWER" button is lit, the "TV ANT" input will feed 12 VDC back to the antenna connected to the "TV ANT" coaxial jack input. This unit will provide 12 VDC to the coaxial cable that is attached to the "FROM TV ANT" input. Simply press the power button on the front of the QS53E unit and the LED indicator will show that 12 Volts DC power is being fed back to the antenna. This will replace a 12 Volt power supply that may be present in the RV. If you hook up the QS53E to the TV antenna you will need to bypass the external power supply in the RV.

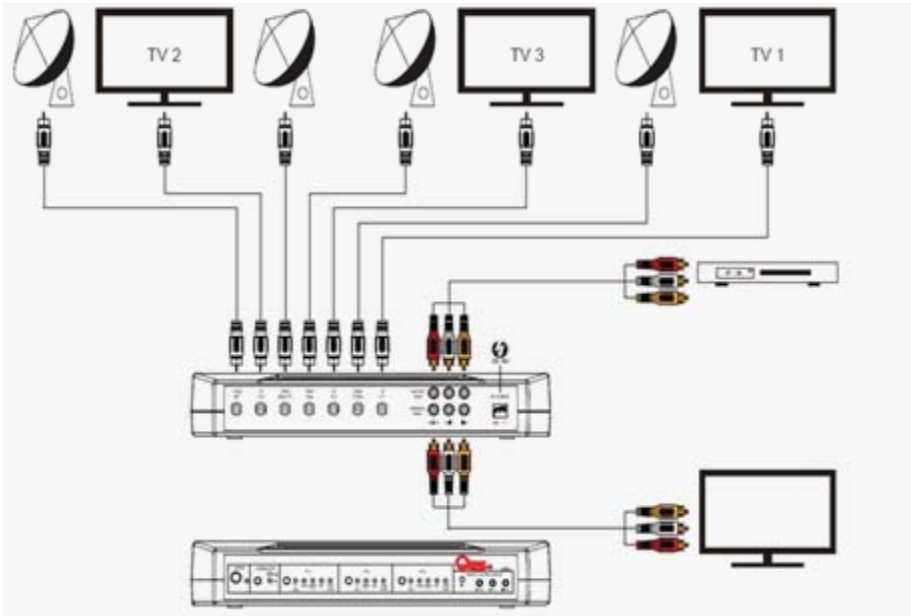
THE POWER BUTTON ACTUATION (LED LIGHT) IS NOT REQUIRED FOR SWITCHING FUNCTIONALITY OF THE QS53E UNIT. POWER IS ALWAYS BEING FED TO THE UNIT VIA THE "DC 12 VOLTS INPUT" ON THE BACK.



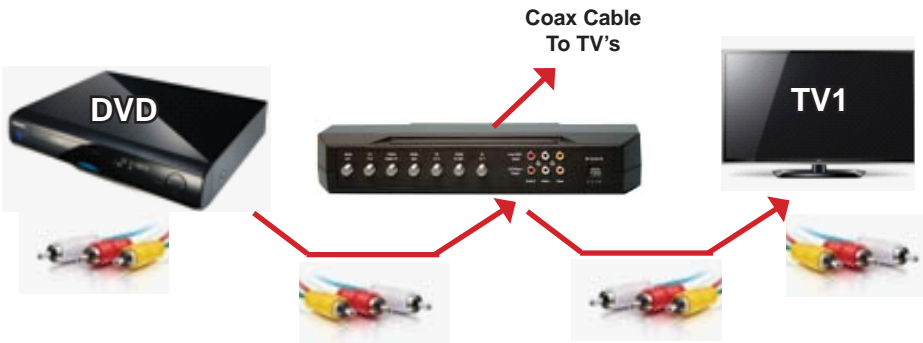
12 volts are supplied to the roof antenna via the "TV ANT" input on the QS53E

If the roof antenna does not require power to operate, simply press the "POWER" button on the front of the QS53E unit, so the LED is not lit. The led light will go off and the QS53E will not send 12 Volts of power to the "FROM TV ANT" jack on the back of the unit. If the power is off, the QS53E will still operate all the switches and modulator as normal. The power button on the front of the QS53E is only to power on or off the 12 Volts power out of the "FROM TV ANT" jack back to the roof antenna.

USE OF THE QS53E DVD / GAME COMPOSITE VIDEO LOOP THROUGH CIRCUIT



The QS53E model is equipped with a video modulator that allows you to hook up one composite video cable (Yellow, Red, White), to the back of the unit and play it through any of the attached TV locations on ch3 or ch4, depending on which LED is lit on the front of the unit in the section marked "MODULATOR". This allows you to hook up a DVD player, game system or any source with composite video (Yellow, Red, White) connections. Here is an example of use of the modulator with a DVD player.

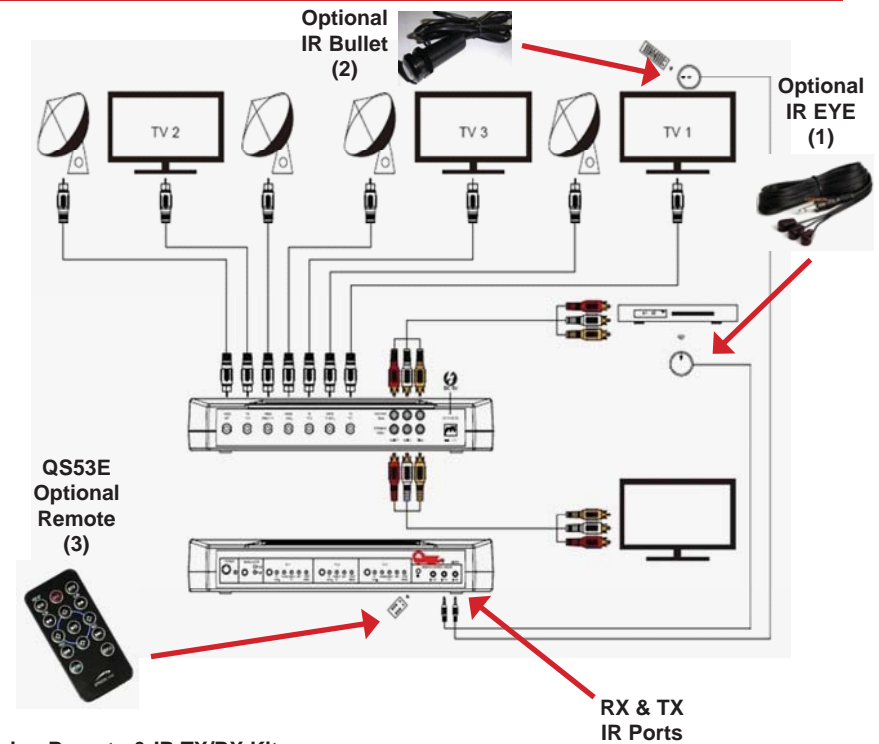


Take the composite video cable from the back of the DVD player and run to the "Video Input" on the back of the QS53E unit. Then run a composite video cable from the back of the QS53E unit from the "Video Output" to the "Video Input" on the back of the TV. Now you have created a loop that will take the video signal from the device hooked up to the QS53E "Video Input" and feed it to a receiver for audio or to the TV directly.



For TV1, TV2 or TV3 the signal from the DVD player will be sent to the TV by way of the internal modulator. If the LED indicator on the front of the QS53E shows "CH 3" then you simply select DVD/GAME for that TV location and tune the TV to channel "3" and you will now be watching the DVD/GAME source on that TV location.

**** OPTIONAL REMOTE CONTROL CAPABILITY (IR components sold separately)**



Using Remote & IR TX/RX Kit

- Connect an **IR BULLET (2)** (not included in the package) for IR signal transmission. Place the **IR EYE (1)** in direct line-of-sight of the equipment to be controlled.
- Connect to the **IR RX port** on the QS53E, with **IR EYE (1)** cable (not included in the package) for IR signal reception. Make sure that the remote being used is in direct line-of-sight of the IR receiver. Now you can control the source device with the source remote through the **IR BULLET (2)**.