

<THESE INSTRUCTIONS MUST BE GIVEN TO THE END USER>



B&W Trailer Hitches
 1216 Hawaii Road / PO Box 186
 Humboldt, KS 66748
 P: 620.473.3664
 F: 620.473.3766

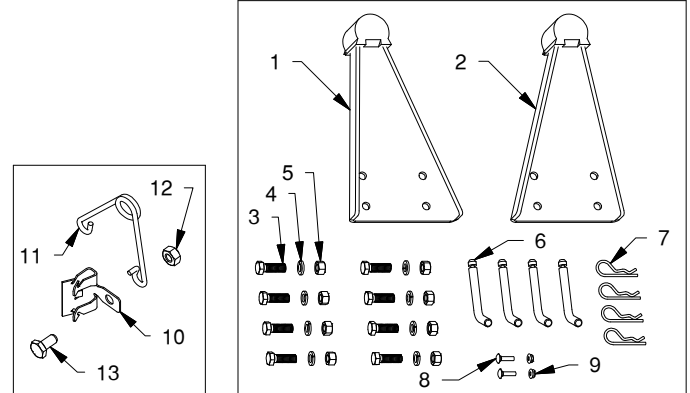
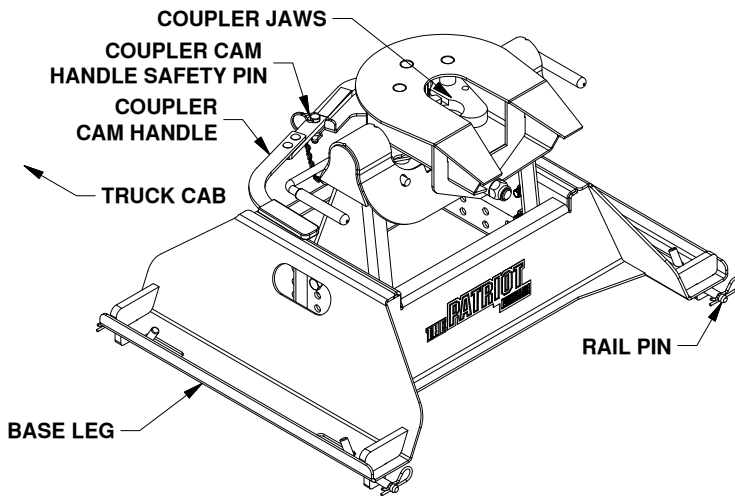
See Limited Lifetime Warranty at
turnoverball.com/warranty

Patriot 18K™ Hitch Installation Instructions

18,000 LBS. TRAILER WEIGHT
4,500 LBS. TRAILER TONGUE WEIGHT

Call or Email us for Installation Support
hitches@turnoverball.com www.turnoverball.com

Model 3255



COUPLER BOLT BAG (RVC2300)		
ITEM	DESCRIPTION	QTY
10	Mounting Clip	1
11	Wire Torsion Spring	1
12	1/4" Nylon Lock Nut	1
13	1/4" X 1/2" Cap Screw	1

BASE BOLT BAG (RVB3255)		
ITEM	DESCRIPTION	QTY
1	Pivot Arm A	1
2	Pivot Arm B	1
3	1/2" X 1 1/2" Hex Cap Screw	8
4	1/2" Split Lock Washers	8
5	1/2" Finish Nut	8
6	Rail Pin	4
7	Hair Pin	4
8	1/4" X 1" Carriage Bolt	2
9	1/4" Nut	2

REQUIRED TOOLS

Installation of the Patriot 18k hitch requires a large torque wrench capable of measuring 80 ft-lbs, a 3/4" socket, and a 7/16" socket or wrench.

NOTICE:

Installation of the B&W Patriot 18k hitch requires the use of a Rail Kit to attach the hitch to the truck frame. See your local B&W dealer for information.

⚠ WARNING Failure to comply with the safety information in these instructions could result in serious injury or death.

- ⚠ Read all installation and operating instructions along with all labels before using this product.
- ⚠ Without proper knowledge, towing can be a dangerous activity. Understand all the risks involved with towing before proceeding. For information on towing safety, see **"The Trailer Handbook: A guide to Understanding Trailer and Towing Safety"** from the *National Association of Trailer Manufacturers*, www.NATM.com.
- ⚠ Do not modify this product in any manner. Doing so could alter its integrity and lead to a loss of attachment between the trailer and the tow vehicle.
- ⚠ Regularly check that all bolted connections are at the correct torque specification. A visual inspection should be performed before each time you tow.
- ⚠ Do not exceed tow or tongue rating of coupler, tow or tongue rating of hitch, or tow or weight ratings of truck or trailer. See vehicle and trailer manufacturer information for ratings. Exceeding these ratings may cause damage to towing components or loss of attachment between the trailer and truck.
- ⚠ Adding components to the chassis of any vehicle can be hazardous. There is potential for damage to vehicle, injury from tool usage and many other hazards. This installation must be completed by someone who is aware of the hazards involved. This person must be knowledgeable of proper safety procedures for a vehicle installation of this nature, and for usage of the equipment required to perform the installation.

PREPARING TO INSTALL

⚠ WARNING: Components of the Patriot 18k hitch are heavy and cumbersome to handle. Failure to use proper lifting techniques when moving and handling these parts could result in property damage or serious injury.

Remove all parts from the packaging and familiarize yourself with all the parts and tools required. Use the parts list on the front page to verify that all parts and hardware are present.

INSTALL PIVOT ARMS

1. Mount the pivot arms using one of the twelve different locations illustrated in Table A1 & Table A2. These twelve locations allow flexibility in coupler height (vertical adjustment) and distance from the cab (horizontal adjustment). Choose a location so that your trailer will be as level as possible and have adequate turning clearance while towing. **See warnings following this section.**

TABLE A1

		HORIZONTAL ADJUSTMENT		
		Positions closest to cab.	2" farther back from cab.	4" farther back from cab.
VERTICAL ADJUSTMENT	Highest position 19"			
	Medium position 18"			
	Medium position 17"			
	Lowest position 16"			

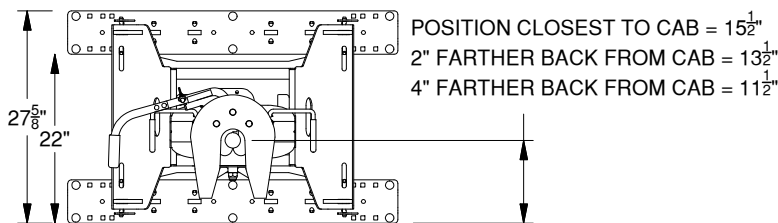
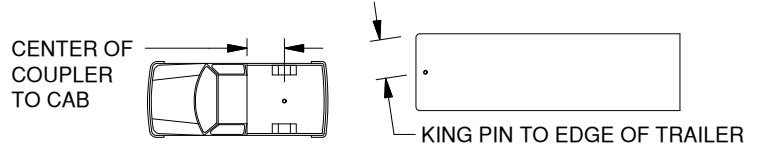


TABLE A2: Distance from edge of rear rail to pivot point. (Rails, Base and Coupler shown fully assembled)

⚠ WARNING: B&W recommends that you check the clearance between the truck cab and the trailer. Compare the measurement taken from the center of the Coupler to the cab, to the measurement taken from the center of the king pin to the farthest forward corner point of the trailer. These measurements will allow you to see how much clearance you will have between the cab and the trailer while towing and turning.



⚠ WARNING: B&W also recommends that you check the clearance between the bed side and the underside of the front of the trailer and to allow adequate clearance for the pitch and roll of the trailer while towing.

2. Locate both pivot arms, eight 1/2" cap screws, eight 1/2" split lock washers, and eight 1/2" nuts. Identify the mounting holes needed to mount the arms in their optimal location. Pass four 1/2" cap screws through the bottom of the base into the bolt plate, as shown in figure A2.

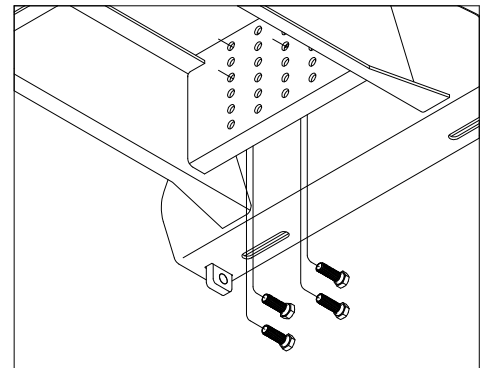


FIGURE: A2: View under base.

3. Align the flat side of the pivot arm flat against the bolt plate while passing the pivot arms over the 1/2" cap screws. Install four 1/2" Lock washers and 1/2" hex nuts, as shown in figure A3. After the pivot arms and bolts are in place, torque each bolt to 80 ft-lbs.

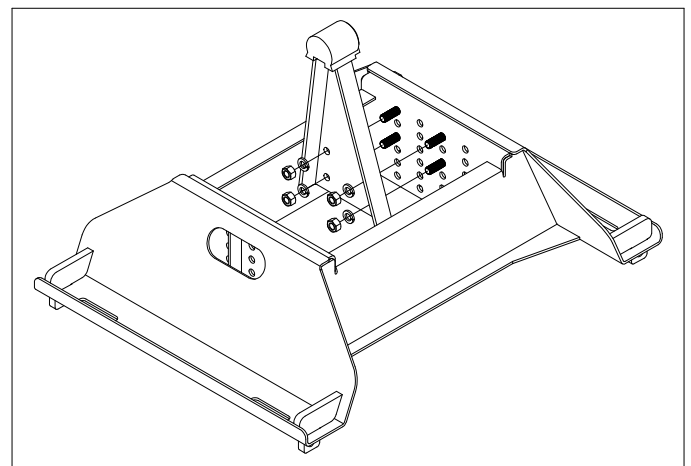


FIGURE A3: View looking into base.

INSTALL BASE

1. The Patriot 18k base will mount to a rail kit in the truck bed. Remove any debris and/or obstructions from the bed. Place the Patriot 18k base over the rail attachment points and carefully lower it until the pin tabs pass through the attachment points and the base rests flat against the top of the rails, see figure B1.

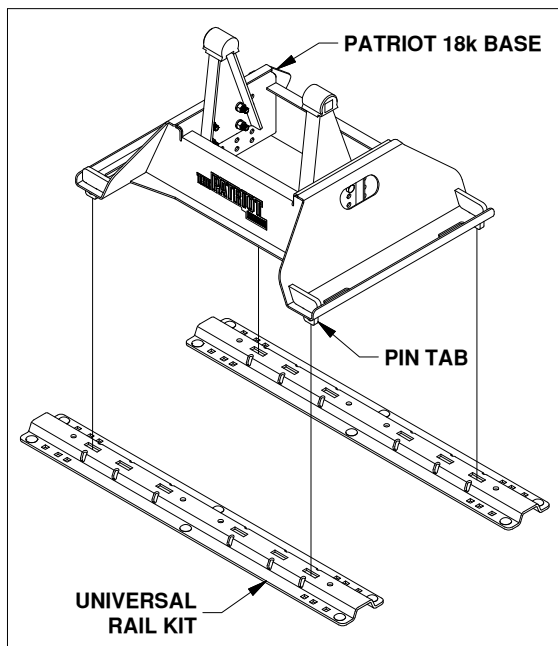


FIGURE B1: Rail attachment.

2. Locate the 4 rail pins and hair pins. Insert each pin into the long slots in the base and through the rails. Lock each pin into place with a hair pin, see figure B2 & B3.

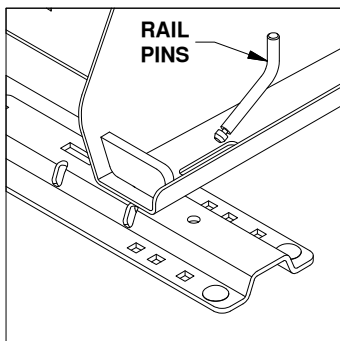


FIGURE B2:
View of base leg.

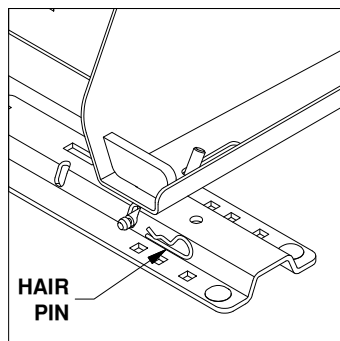


FIGURE B3:
View of base leg.

INSTALL LEVELING KIT

Locate the 1/4" cap screw and nut, along with the wire tension spring and mounting clip. Pass the 1/4" cap screw through the mounting clip and the wire spring as shown in figure C1. Thread the 1/4" lock nut onto the 1/4" cap screw. Tighten the lock nut just enough that the spring will stay in place but will still be able to rotate around the bolt if needed.

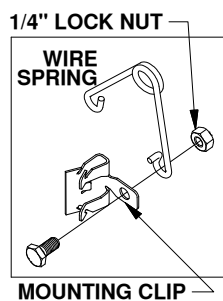


FIGURE C1:
Leveling kit parts.

Locate the flange which will be closest to the truck cab on the driver side pivot arm, see figure C2. The clip should be placed so that when the springs coil is in the line with the edge of the arm there will be 1/2" of clearance between the bottom of the rubber bumper and the top of the spring, see figure C3. Drive the clip securely onto the flange with a hammer.

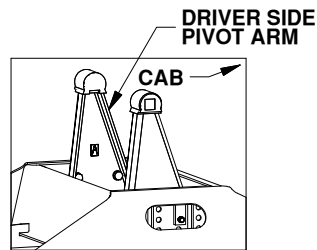


FIGURE C2:
Base view.

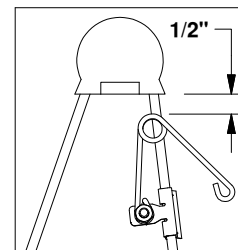


FIGURE C3: Driver
side pivot arm.

INSTALL COUPLER HANDLE

Locate the two 1/4" x 1" carriage bolts and the two 1/4" nuts provided in a bolt bag. Using the carriage bolts and the nuts, attach the coupler handle to the arm and tighten, see figure D1.

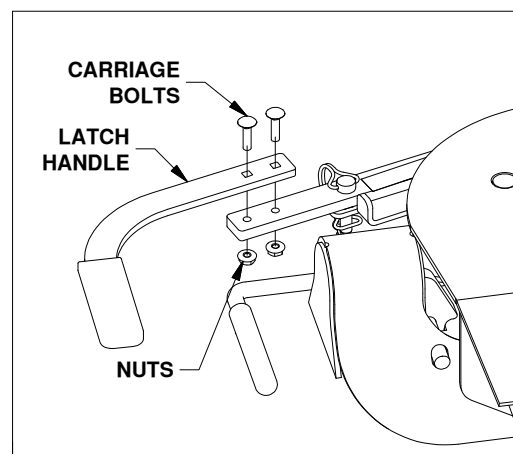


FIGURE D1: View of coupler handle.

INSTALL COUPLER

Lubricate the polyurethane bushings on top of the pivot arms with high grade lithium grease (available at your local hardware/automotive store). Pick up the couper by lifting up on both saddle handles which will open the saddle latches. Place the coupler over the pivot arms and allow the saddle latches to fall back to their original positions. (The saddle handles should be parallel with the base in the latched position.) see figure E1.

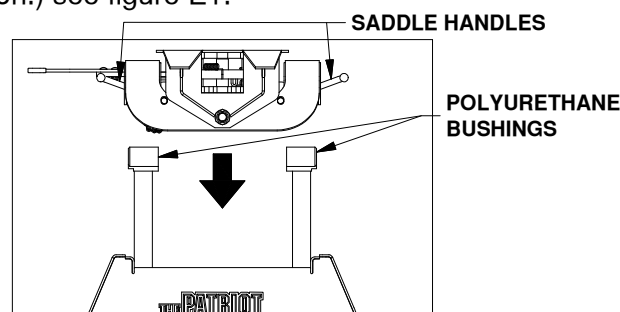


FIGURE E1: View of coupler and base. (Saddle Handles up)

Adjust the resting angle of your coupler plate by rotating the spring on the driver side pivot arm. Pulling the top of the spring away from the cab will increase the angle of the coupler plate. Set the angle of the coupler so that head will tilt away from the cab when coupling, see figure E2.

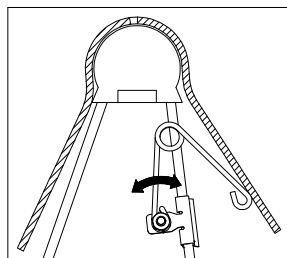


Figure E2: Cutaway view of driver pivot arm and saddle.

Tighten the 1/4" nut once the spring's orientation is set.

ATTACHING TRAILER

Remove the coupler cam handle safety pin and open the cam handle. Adjust the height of the 5th wheel trailer so the king pin plate is slightly lower than the top of the coupler. Back the truck towards the trailer, centering the trailer's king pin in the coupler, until the king pin has engaged the jaws. Ensure that the coupler cam handle has completely closed before inserting the cam handle safety pin through the cam handle and the coupler. Hook up brake and lighting connections before towing.

⚠ WARNING: Towing a trailer without a functioning pivot point between the hitch & trailer will cause significant damage to the hitch which may lead to serious injury or death. Some pin boxes such as a Pull-rite® Superglide Capture Plate remove the pivot point between a trailer and coupler and should not be used, See figure F1. Pin boxes with a wedge that relocates the pivot point such as a Reese® Sidewinder or Reese® Revolution may be used, see figure F2.

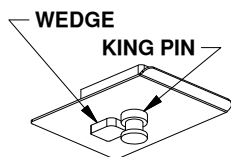


FIGURE F1: Capture plate.

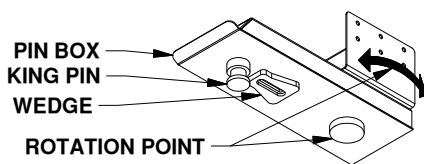


FIGURE F2: pin box with rotation point.

PULL TEST

Have the truck stationary with the emergency brake on, the trailer wheels blocked and landing gear still resting firm on the ground supporting the weight of the trailer. Make sure no one is between the truck and trailer, return to the cab of the truck. Release the emergency brake and apply the trailer brakes. Try to pull the trailer forward with the truck. If the trailer is properly hooked up, the wheel blocks and trailer brakes should not allow the truck to move forward. If trailer is not hitched correctly, the trailer will separate from the truck. However, with the landing gear resting firmly on the ground, it will support the trailer and not allow it to drop or fall on the truck sides.

UNATTACHING TRAILER

Lower landing gear and block the trailer wheels. Raise the trailer until the tongue weight is removed from the truck. Then, unpin the Coupler handle and rotate to the open position to unlatch the jaws. If the jaws do not open, readjusting the landing gear may relieve pressure and allow them to open. Use the safety pin to lock the handle in the open position and when you are sure that the landing gear will support the trailer, move the truck forward to release the jaws from the kingpin. The jaws will always open when the pressure of the trailer is taken off the coupler as the truck pulls away.

UNINSTALL HITCH

To uninstall the Patriot 18k hitch, grab the saddle handles and lift to remove the coupler from the pivot arms. To remove the Patriot 18k base, remove the rail pins from the base legs and carefully lift and position the base out of the attachment points.

NOTICE: All bolted connections should be checked for the correct torque specification regularly. Always perform a visual inspection before towing.

HELPFUL TIPS:

- Approximately 15%-25% of the trailer weight should be on the hitch.
- The height of the king pin box and pivot arms should be adjusted so that the trailer is approximately level for towing.
- Allow adequate clearance between the bed side and the underside of the front of the trailer for pitch and roll of the trailer.
- Lubricate top surface of coupler with multi-purpose automotive type chassis grease or use a nylon lube plate to provide a lubricated surface.
- Grease jaws with multi-purpose automotive type chassis grease.
- Grease the saddle through the grease zerk approximately every six months with multi-purpose grease. this allows the coupler to pivot freely, see figure G1.

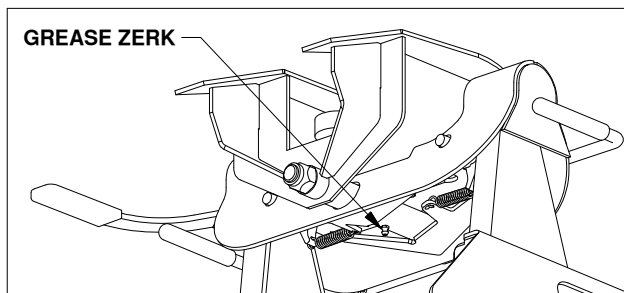


FIGURE G1: View under saddle.