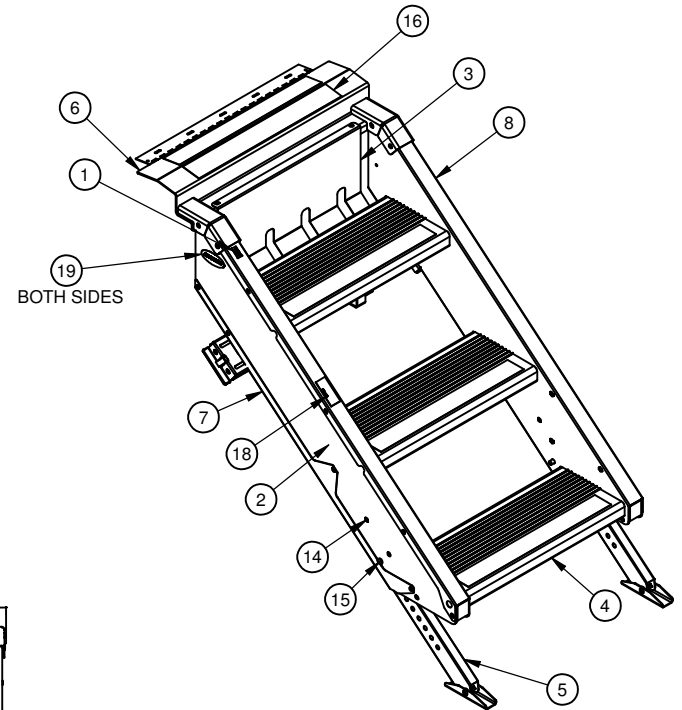
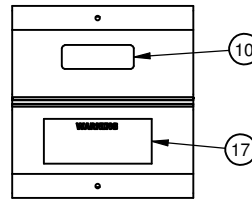
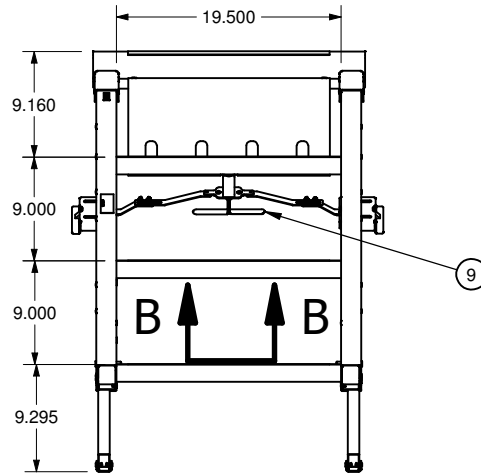
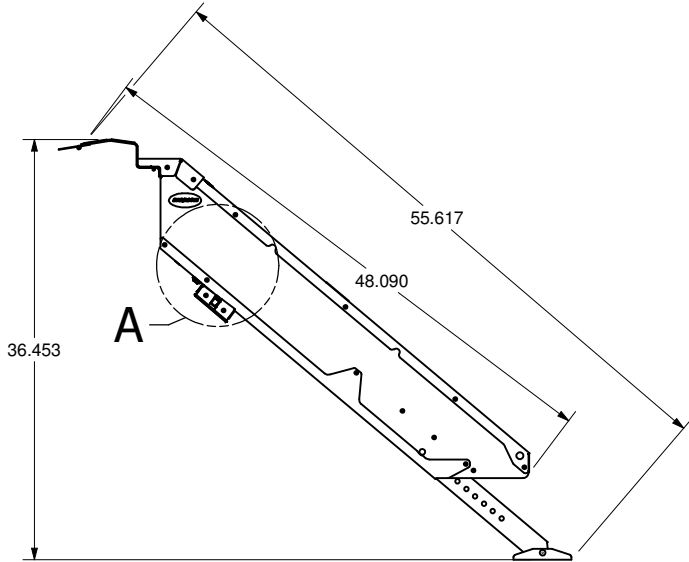


DETAIL A



LEGS PACKAGED SEPARATELY IN KIT



DETAIL B

PARTS LIST			PARTS LIST		
ITEM	QTY	PART NUMBER	ITEM	QTY	PART NUMBER
1	1	HRK162-002	11	4	UO115-129
2	2	STP205-077	12	18	UO115-742
3	1	STP209-219	13	4	UO117-074
4	2	STP57-007	14	32	UO136-137
5	2	STP57-024	15	2	UO136-1830
6	1	STP57-172	16	2	UO136-1833
7	1	STP57-179L	17	1	UO162-035
8	1	STP57-179R	18	1	UO162-045
9	1	STP57-237	19	2	UO162-050
10	1	SUP-Traceability Label			

DATE	REV	INIT	DESCRIPTION
3/14/19	F	cpond	REPLACED UO162-049 WITH SUP-Traceability Label
12/28/2018	E	GMW	REPLACED STP57-003 WITH STP57-172, STP57-030 WITH STP57-237, AND STP209-069 WITH STP209-219.
7/19/18	D	TJR	REPLACED STP57-013 WITH STP57-003 AND QTY(2) UO136-1833
7/5/18	C	JONDK	ADDED UO162-035, UO162-045, UO162-049, AND REPLACED UO162-016 WITH UO162-050
6/22/18	B	MSC	REPLACED STP57-050L/R w/ STP57-179L/R, STP205-024 w/ STP205-077
11/3/17	A	PK	ADDED ASSEMBLY SHEET

REVISION HISTORY

CONFIDENTIAL: THE INFORMATION CONTAINED ON THIS DRAWING IS THE EXCLUSIVE PROPERTY OF MORryde. THIS INFORMATION IS CONSIDERED AS CONFIDENTIAL INFORMATION AND SHALL NOT BE COPIED, DUPLICATED OR SHARED WITH ANY 3RD PARTY WITHOUT WRITTEN CONSENT BY MORryde.

ALL DIMENSIONS OUTSIDE AND IN INCHES UNLESS NOTED OTHERWISE  
TOLERANCE OF DIMENSIONS

X.XXXX ± 0.010  
X.XXX ± 0.030  
X.XX ± 0.060  
ANGULAR ± 1°

PART CLASS: **A**

**STP-3-27-05**  
ENTRY STEP ASSEMBLY

DRAWN: anthonyg  
CUST PART ID: -  
MATERIAL: **VARIOUS**  
FINISH: **PC**

DATE: 10/21/2016

SHEET: 1 / 2

