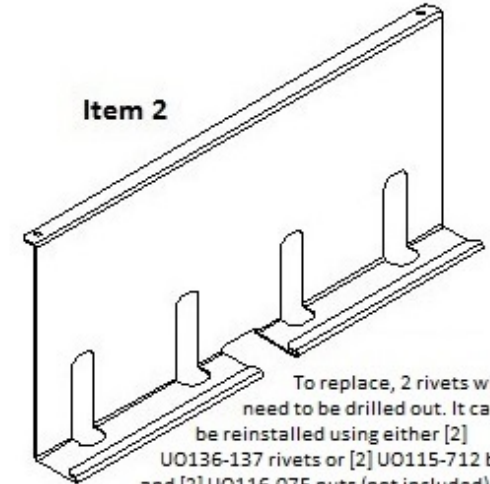
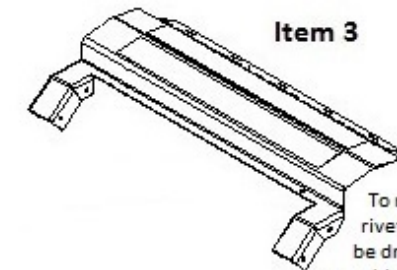


Item 4



Item 2

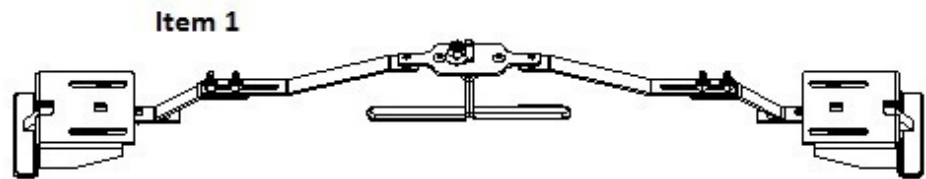
To replace, 2 rivets will need to be drilled out. It can be reinstalled using either [2] UO136-137 rivets or [2] UO115-712 bolts and [2] UO116-075 nuts (not included).



Item 3

To replace, 8 rivets will need to be drilled out. The new hinge plate will include 8 nuts and bolts to reinstall.

Steps come with [12] UO115-289 installation screws



Item 1



Item 5

Item	Part Number	Description
1	STP57-076	Latch Assembly
2	STP209-055	Kick Plate
3	STP54-006	Hinge Plate
4	STP57-024	Leg Assembly
5	UO136-1830	Quick Release Pin