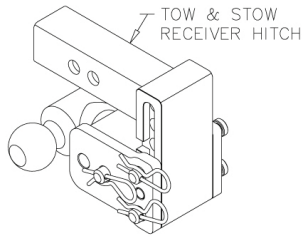
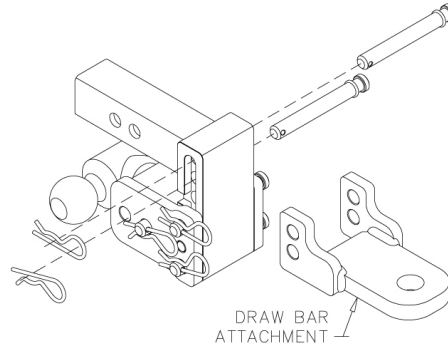




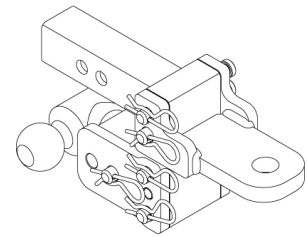
# Tow & Stow™ Draw Bar Attachment Installation Instructions



**STEP 1:**  
PUT TOW & STOW RECEIVER  
HITCH INTO "STOW"  
POSITION.



**STEP 2:**  
POSITION DRAW BAR  
ATTACHMENT AS SHOWN AND  
ALIGN IT WITH TWO HOLES IN  
THE RECEIVER HITCH.



**STEP 3:**  
ATTACH DRAW BAR TO HITCH  
WITH BOTH PINS PROVIDED  
AND SECURE THE PINS WITH  
THE INCLUDED HAIR PINS.

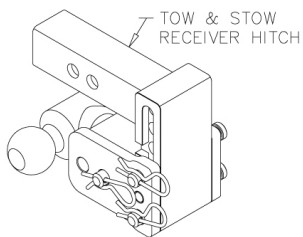
## WARNING:

- Draw Bar Attachment is to be used with the Tow & Stow Receiver Hitch ONLY.
- Draw Bar Attachment is NOT intended to be used as a ball mount.
- BOTH PINS must be in place before towing with the Draw Bar Attachment.
- DO NOT EXCEED vehicle or hitch tow rating.

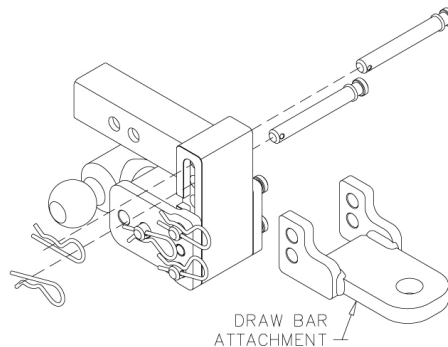
Tow & Stow Draw Bar Instructions 10 25 2016



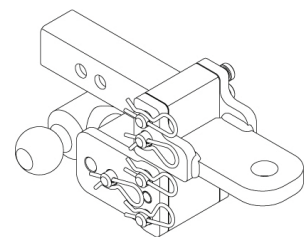
# Tow & Stow™ Draw Bar Attachment Installation Instructions



**STEP 1:**  
PUT TOW & STOW RECEIVER  
HITCH INTO "STOW"  
POSITION.



**STEP 2:**  
POSITION DRAW BAR  
ATTACHMENT AS SHOWN AND  
ALIGN IT WITH TWO HOLES IN  
THE RECEIVER HITCH.



**STEP 3:**  
ATTACH DRAW BAR TO HITCH  
WITH BOTH PINS PROVIDED  
AND SECURE THE PINS WITH  
THE INCLUDED HAIR PINS.

## WARNING:

- Draw Bar Attachment is to be used with the Tow & Stow Receiver Hitch ONLY.
- Draw Bar Attachment is NOT intended to be used as a ball mount.
- BOTH PINS must be in place before towing with the Draw Bar Attachment.
- DO NOT EXCEED vehicle or hitch tow rating.

Tow & Stow Draw Bar Instructions 10 25 2016