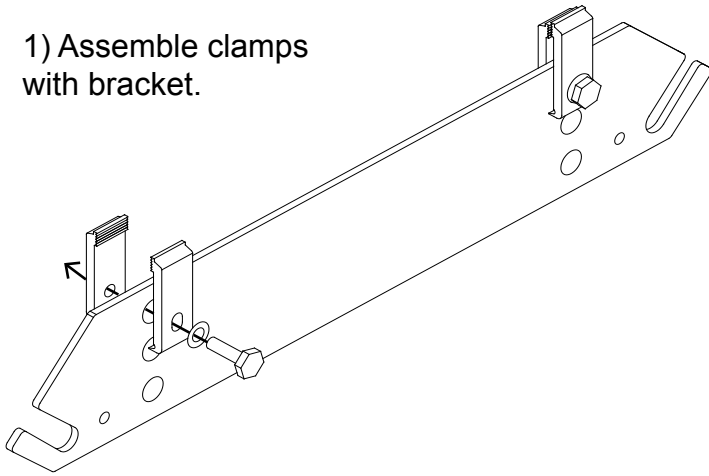


TRUCK LUGGAGE EXPEDITION ASSEMBLY INSTRUCTIONS

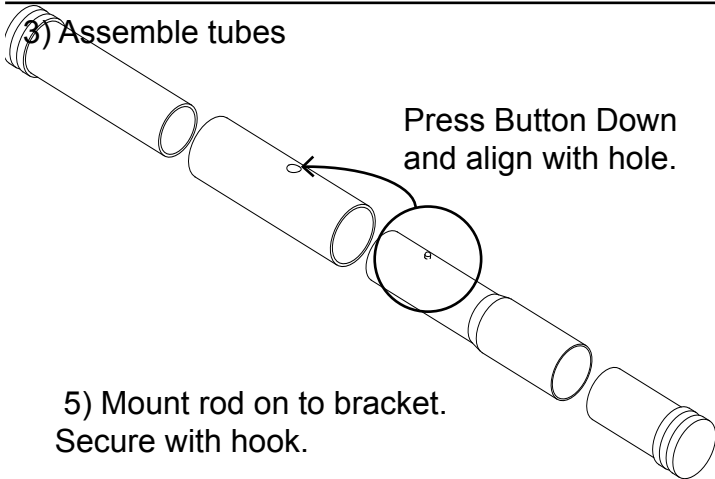
1) Assemble clamps with bracket.



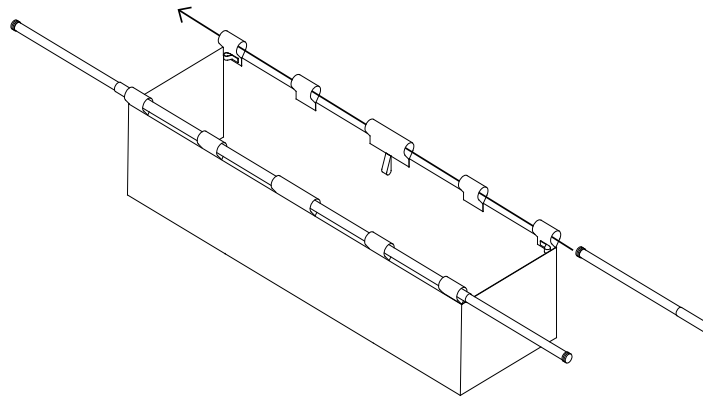
2) Mount bracket on to truck.



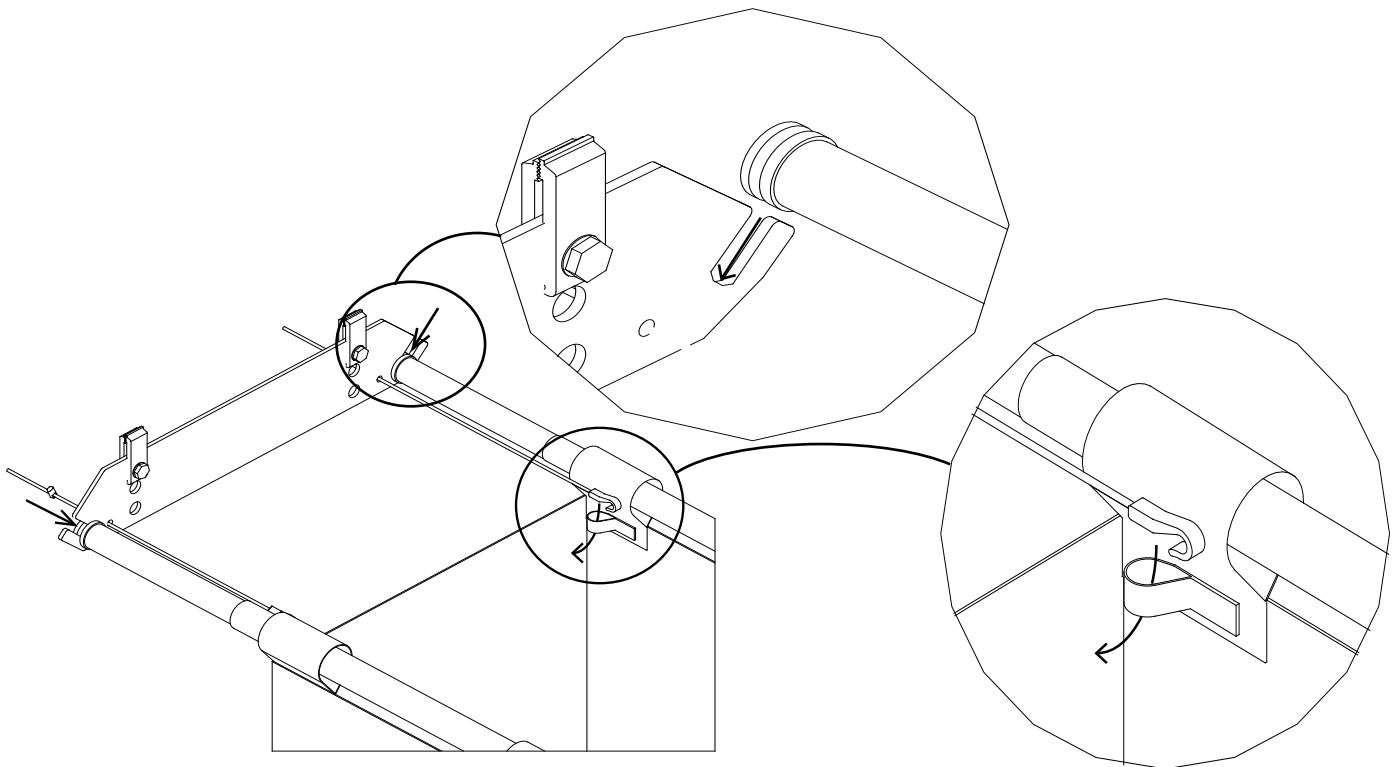
3) Assemble tubes



4) Insert through loops.



5) Mount rod on to bracket.
Secure with hook.



by TruXedo, Inc.

P.O. Box 1078, 2209 Kellen Gross Dr., Yankton, SD 57078

Phone: 877-878-9336 • Fax: (605) 664-9304 www.truxedo.com

TRUXEDO

P/N 1117899 Rev. A

TRUCK LUGGAGE EXPEDITION ASSEMBLY INSTRUCTIONS

6) Strap divider in place.



by TruXedo, Inc.

P.O. Box 1078, 2209 Kellen Gross Dr., Yankton, SD 57078

Phone: 877- 878-9336 • Fax: (605) 664-9304 www.truxedo.com

TRUXEDO[®]
P/N 1117899 Rev. A