

## Specifications

Utopia® UniGuard® is a low-profile waterless sanitary waste drain valve that is used in place of the standard water seal P-trap to protect the living space from foul odors and harmful sewer gases of the RV drain system.

UniGuard is only intended and designed to be used as a waterless drain valve. It is not intended to be used as a backflow preventer.

UniGuard has a range of optional adapters available to enable installation on 1-1/4" and 1-1/2" drain systems.

## Materials

UniGuard Valve Body(65UGV1), Elbow(65UGA2) and Straight Coupling Adapter(65UGA3) - White Polypropylene  
 Internal Bladder – Silicone Rubber  
 Inner Guard - White Polypropylene  
 Slip-Joint Washers – Thermoplastic Rubber (TPR)  
 Black Flat Washer – EPDM Rubber

## Codes & Standards

### Compliance with the following codes:

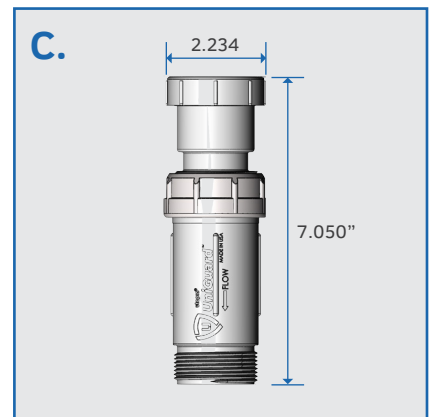
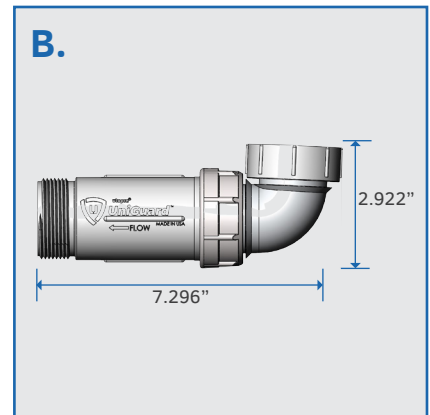
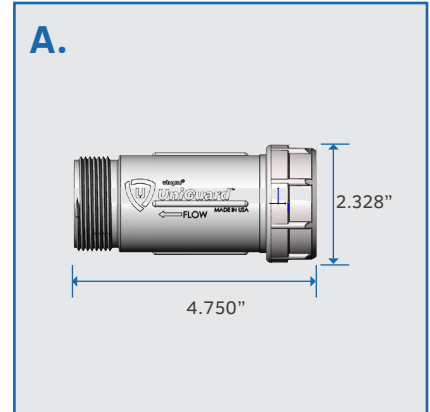
- 2018 National Fire Protection Association (NFPA) 1192
- 2018, 2015 and 2012, Uniform Plumbing Code®
- 2015 and 2010 National Plumbing Code of Canada

### Compliance with the following standards:

- ASME A112.18.8-2009(R14), In-Line Sanitary Waste Valves for Plumbing Drainage Systems
- CSA TIL MSE 55-2009, In-Line Sanitary Waste Valves for Plumbing Drainage Systems

### Notes:

1. UniGuard valve offers a 1-1/2" female threaded connection and a 1-1/2" male threaded connection.
2. Optional In-line adapters are available to connect the UniGuard valve to either 1-1/4" or 1-1/2" drain systems.
3. UniGuard must be installed no further than 6' away from the fixture(s) it's servicing and a minimum of 12" away from holding tank(s).
4. When installed horizontally, directly off any fixture, the UniGuard 87.5 degree elbow must be used to maintain the needed 1/4" per foot of slope.
5. UniGuard must always be installed in an accessible location for inspection, removal or repair.



## UniGuard Dimensional Data

- A – Length = 4.750" Width = 2.328"
- B – Length = 7.296" Width = 2.922"
- C – Length = 7.050" Width = 2.234"



Patent Pending

