

SPRING REPLACEMENT

Kit No: R00731

SOK II: Start on page 1.

Omega II: Start on page 2

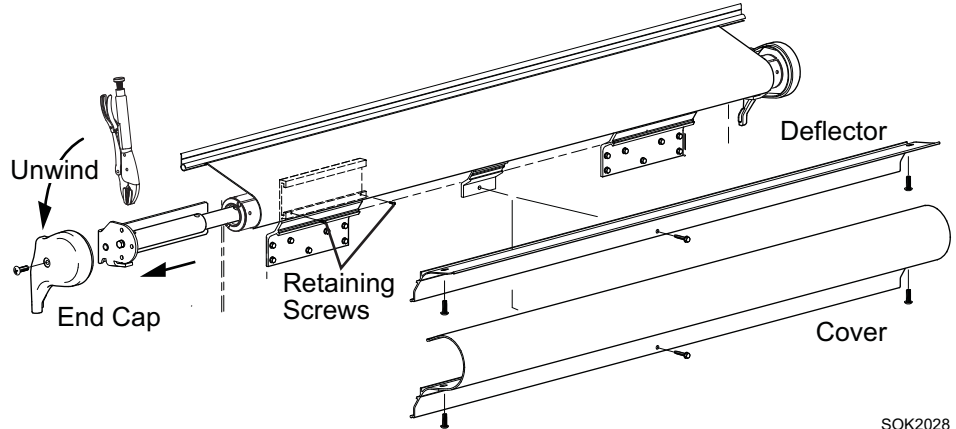
RV Kits

SOK II SPRING REPLACEMENT

⚠ WARNING THESE PROCEDURES REQUIRE WORKING WITH THE ROLLER SPRING. OBSERVE ALL CAUTIONS. FAILURE TO FOLLOW THE INSTRUCTIONS CAN RESULT IN PERSONAL INJURY AND PROPERTY DAMAGE.

This procedure requires two people.

1. Extend the room out 10"-12".
2. Remove the cover or deflector. Save parts and set aside.
3. Remove the LH end cap. Save parts and set aside.
4. Remove the retaining screws from the LH bracket. Save parts and set aside.
5. Firmly hold the pivot bracket with vice grips. Pad the grip teeth to prevent damage or marring.
6. Have a second person firmly hold and support the roller tube.

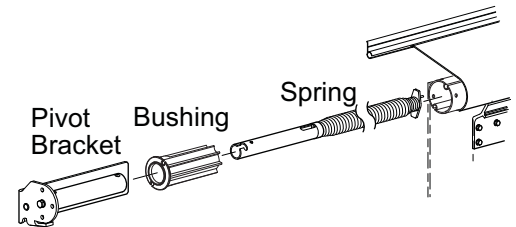


SOK2028

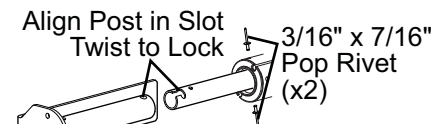
7. Partially pull the pivot bracket and spring from roller tube. The bracket must be out far enough to clear the canopy and mounting bracket.

⚠ CAUTION When removed from the mounting bracket, the spring is under extreme tension and will unwind quickly. Keep hands and clothing clear while FIRMLY holding the vice grips! Do not try to hold by hand.

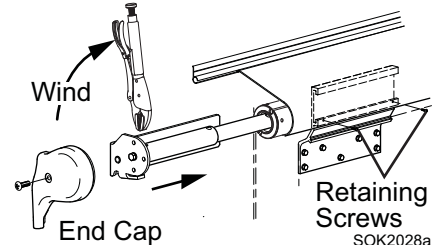
8. Unwind the spring. To unwind, rotate the pivot bracket over the top and towards the vehicle. Continue until there is no tension in the spring.
9. Drill out the rivets holding the bushing in the roller tube.
10. Remove the spring and bushing from the roller tube. Separate the pivot bracket and bushing from the old spring.



11. Slide the bushing onto the new spring with about 6" of the spring extending out past the end of the bushing.
12. Slide the spring and bushing into the roller tube. Align the bushing and press the bushing into the roller tube completely.
13. Rivet the bushing to the roller tube using two (2) 3/16" x 7/16" pop rivets.
14. Attach the pivot bracket to the spring. The post in the tube of the bracket aligns with the slot in the end of the spring.



15. Hold the pivot bracket with vice grips and turn the spring to add winds. To wind, rotate the bracket over the top and away from the vehicle. One complete turn equals one wind. The SOKII uses 17 winds when closed. Add 1 wind for each foot that the room is open. (i.e. if the room is open 1' add 1+17 = 18 winds)



SOK2028a

⚠ CAUTION While the pivot bracket is not attached to the mounting bracket, the wound spring is under extreme tension and will unwind quickly. Keep hands and clothing clear while FIRMLY holding the vice grips! Do not try to hold the bracket by hand.

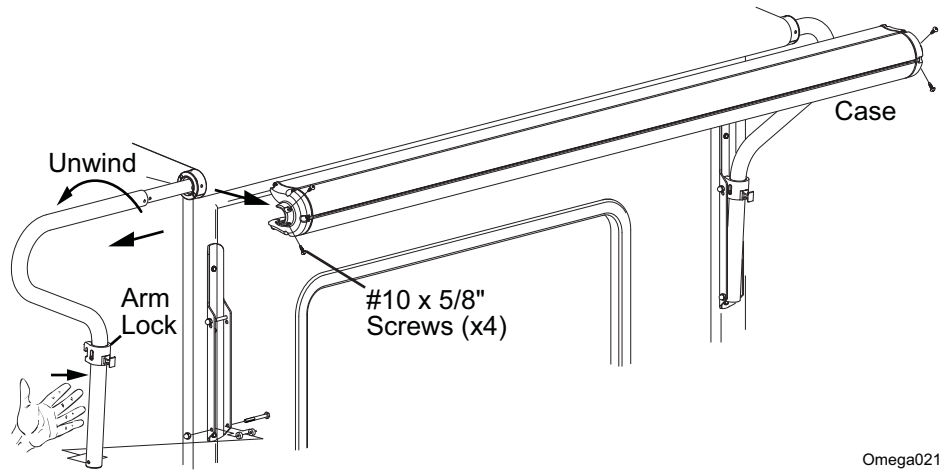
16. Press the spring and pivot bracket into the roller tube and the mounting bracket.
17. Secure the pivot bracket to the mounting bracket with the two (2) #6 x5/16" screws removed previously.
18. Install the LH end cap.
19. Install the deflector or cover.

OMEGA II SPRING REPLACEMENT

⚠ WARNING THESE PROCEDURES REQUIRE WORKING WITH THE ROLLER SPRING. OBSERVE ALL CAUTIONS. FAILURE TO FOLLOW THE INSTRUCTIONS CAN RESULT IN PERSONAL INJURY AND PROPERTY DAMAGE.

This procedure will require two people.

1. Extend the room out, do not extend the awning.
2. Remove the case. It will be necessary to pull the strap out of the case through the bezel. Squeeze the rubber grommet to fit through the bezel. Set parts aside and save.
3. Release the LH arm lock.
4. Firmly hold the left arm and remove the attaching screw, spacers and nut at the bottom of the arm. Save parts.

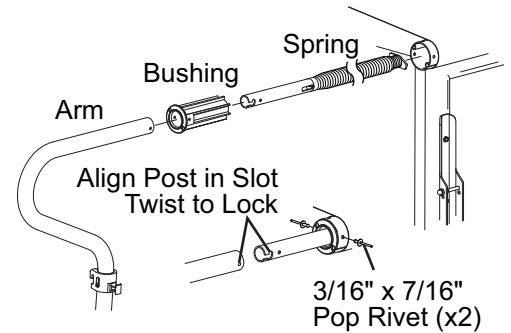


Omega021

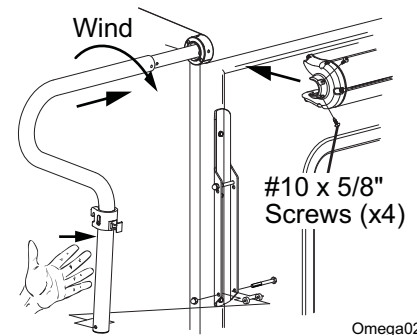
5. Have a second person firmly hold and support the roller tube.

⚠ CAUTION When removed from the mounting bracket, the spring is under extreme tension and will unwind quickly. FIRMLY hold the arm!

6. Partially pull the arm and spring from roller tube. The arm must be out far enough to clear the room flange .
7. Unwind the spring. To unwind, firmly hold and rotate the arm over the top and towards the vehicle. Continue until there is no tension in the spring.
8. Drill out the rivets holding the bushing in the roller tube.
9. Remove the spring and bushing from the roller tube. Separate the arm and bushing from the old spring.
10. Slide the bushing onto the new spring with about 6" of the spring extending out past the end of the bushing.
11. Slide the spring and bushing into the roller tube. Align the bushing and press the bushing into the roller tube completely.
12. Rivet the bushing to the roller tube using two (2) 3/16" x 7/16" pop rivets.
13. Attach the arm to the spring. The post in the tube of the arm aligns with the slot in the end of the spring.



⚠ CAUTION While the arm is not attached to the bracket, the wound spring is under extreme tension and will unwind quickly. FIRMLY hold the arm until it is attached to the bracket!



Omega021a

14. Firmly hold the arm and turn the spring to add winds. To wind, rotate the arm over the top and away from the vehicle. One complete turn equals one wind. This procedure describes the room open, awning closed.

<u>ROOM WIDTH</u>	<u>WINDS</u>
10' or less	21
10' 1" and longer	23

15. Press the spring and arm into the roller tube.
16. Attach the arm to the bottom of the bracket with the screw, spacers and nut removed previously.
17. Lock the arm.
18. Thread the pull strap through the bezel of the case. Align the case on the arms and attach using the #10 x 5/8" screws removed previously.