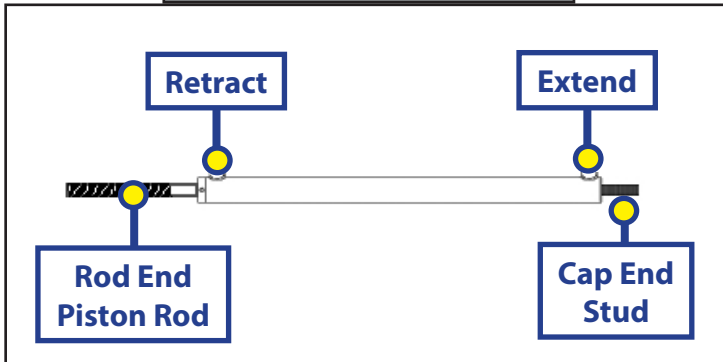
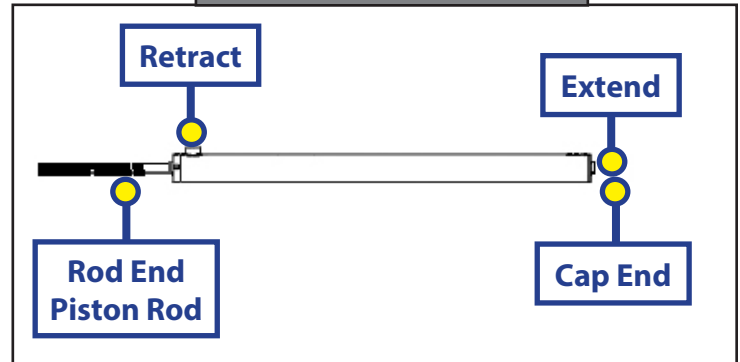


LEVELING AND STABILIZATION

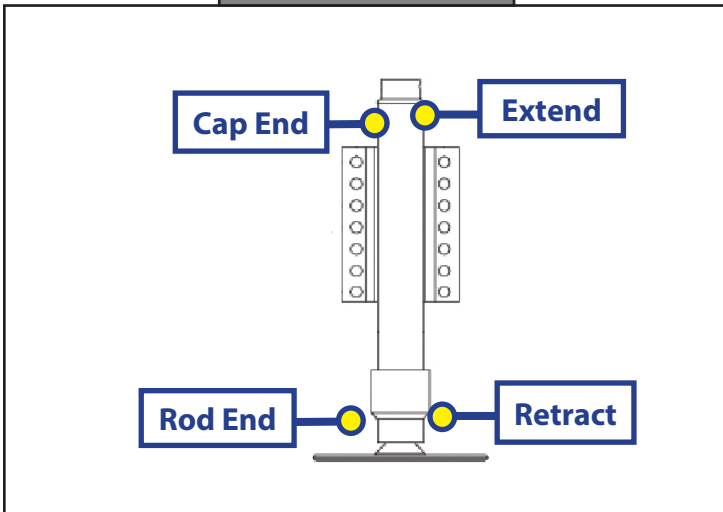
Standard Slideout Cylinder



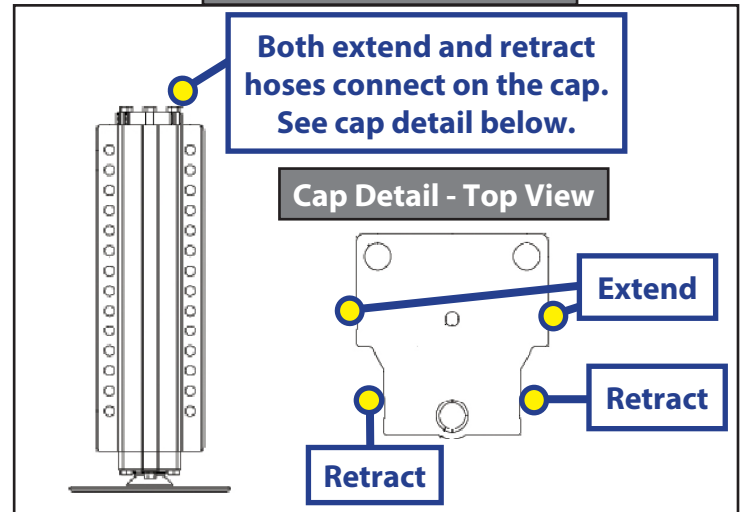
Trunion Slideout Cylinder



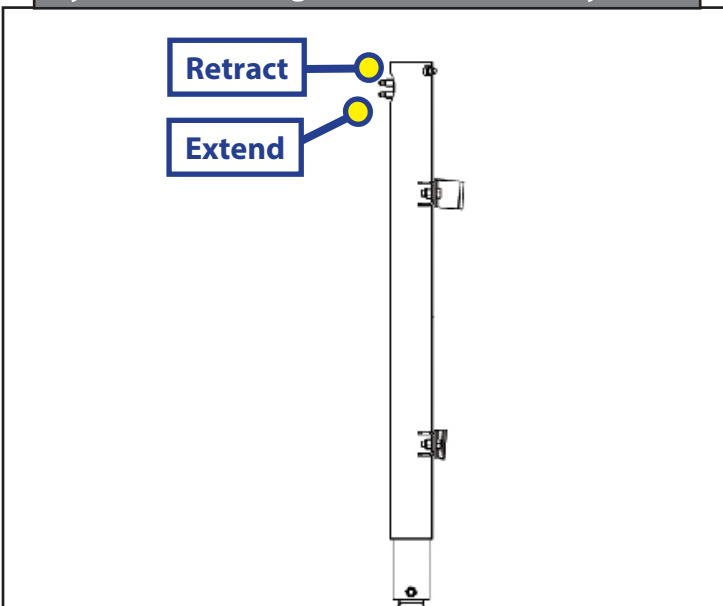
Steel Leveling Jack



Aluminum Leveling Jack



Hydraulic Landing Gear - Pinless 26" Cylinder



Hydraulic Landing Gear - Pinned - 12" Cylinder

