



TAILGATE SCREEN DOOR INSTRUCTIONS

Congratulations on purchasing an Open Air Tailgate Screen Door. With proper care this product will last many years. Please follow the instructions carefully. This product has a 90 day Manufacturer's Warranty against defects in material and workmanship. Your rights may vary depending on the state laws. Questions? Please call 1-800-334-2004.

Care: Wash with warm water and air dry. Do NOT use detergents.

Installation: Your new Tailgate Screen Door may be installed in two different mounting positions depending on your trailer's width. For trailers 100" or less in width, an Inside-to-Inside mounting position will be used. For trailers up to 102" in width, an Outside-to-Outside mounting position will be used.

First, determine which mounting position will be used when installing the Tailgate Screen Door by measuring the width of the trailer. Measurements should be taken from the outside of the frame on one side to the outside of the frame on the other side. The mounting position (Inside-to-Inside or Outside-to-Outside) must be decided to properly determine the height of the Tailgate Screen Door. There are three height positions available ranging from 80.5" to 87". The height adjustment can be achieved by folding down the top of the screen door fabric to expose the three different strips of hook and loop material. At this time, determine the desired height and corresponding strip of hook and loop material that will be used.

Prior to mounting the Tailgate Screen Door, the supplied hook and loop tape needs to be cut to the following lengths.

- 1-piece - 96" long for top of screen
- 8-pieces - 6" long for sides of screen

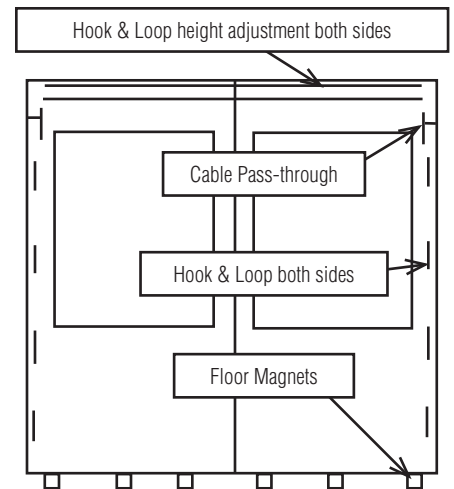
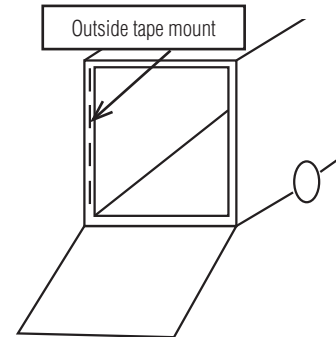
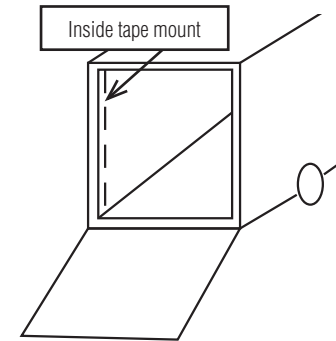
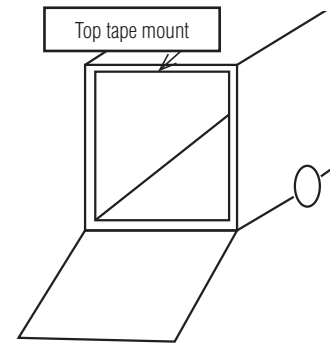
Note: Properly clean all surfaces prior to applying adhesive hook and loop tape to ensure good adhesion.

Inside-to-Inside Mounting: (Trailer width - 100" or less)

1. With the proper height determined, center and attach the 96" strip of hook and loop tape to the inside of the top door frame in the desired location.
2. Center and mount the Tailgate Screen Door on the hook and loop tape installed in Step 1.
3. With the top of Tailgate Screen Door mounted, attach the 6" strips of hook and loop tape to each strip of hook and loop material along the sides of the screen door.
4. Starting at the top corner of one side, slightly pull down on the screen door to remove any slack. Remove the backing from the adhesive on the hook and loop tape strip and attach to the inside of door frame as close to the edge as possible.
5. Repeat the above step for the remaining hook and loop tape strips for this side while maintaining the vertical alignment.
6. Repeat steps 4 and 5 for the other side of the screen door.
7. Secure the bottom of the screen door with attached floor magnets.

Outside-to-Outside Mounting: (Trailer width - up to 102")

1. With the proper height determined, center and attach the 96" strip of hook and loop tape to the outside of the trailer's frame (same surface as ramp contacts) in the desired location.
2. Center and mount the Tailgate Screen Door on the hook and loop tape installed in Step 1.
3. With the top of Tailgate Screen Door mounted, attach the 6" strips of hook and loop tape to each strip of hook and loop material along the sides of the screen door.
4. Starting at the top corner of one side, slightly pull down on the screen door to remove any slack. Remove the backing from the adhesive on the hook and loop tape strip and attach to the outside of door frame.
5. Repeat the above step from the remaining hook and loop tape strips for this side while maintaining the vertical alignment.
6. Repeat steps 4 and 5 for the other side of the screen door.
7. Secure the bottom of the screen door with attached floor magnets.



Camco Manufacturing, Inc.
121 Landmark Drive / Greensboro, NC 27409
1-800-334-2004 / www.camco.net