



REPLACING UNIDIRECTIONAL PUMP WITH BI-ROTATIONAL PUMP

0048

HYDRAULICS

REPLACEMENT DIRECTIONS

1. Remove the BLUE wire (4) from the top terminal of the silver solenoid on the uni-directional pump and discard it.
2. The 12V wire (5) from the silver solenoid will go to the top center post of the Trombetta.
3. The white wire connecting the front and back coils (10) will be discarded.
4. The wire on the backside coil (7) will go to the spade connector on the left side of the Trombetta.
5. The wire on the frontside coil (6) will go to the spade connector on the right side of the Trombetta.
6. See below for schematic legend.
7. See the schematics on Pg. 2 for wire routing.

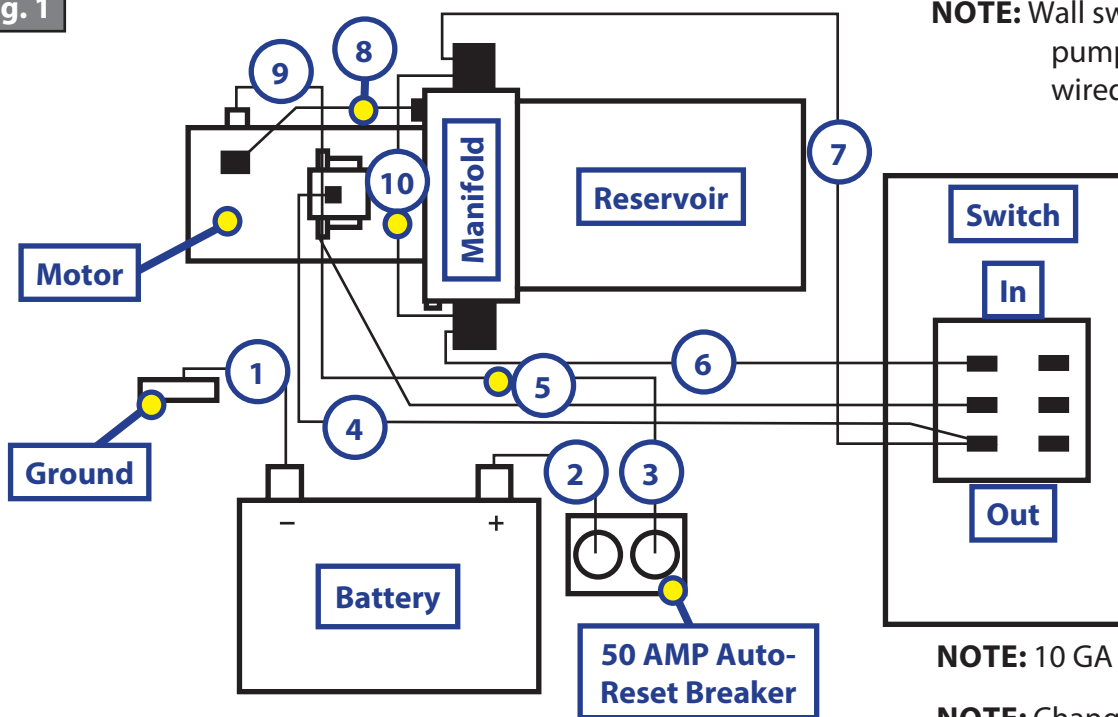
NOTE: Fittings for converting the Pump Unit with Individual Room Controls (IRC) or Electronic Individual Room Controls (EIRC) will be included. One Straight and one 90° fitting for mounting the IRC or EIRC are sent for the retract side. Use one of the "T" fittings from the old pump unit for the extend side hoses.

Callout	Old Configuration (Page 2)	New Configuration (Page 2)
1	Ground to Chassis	Ground to Trombetta
2	12V to Circuit Breaker	12V to Circuit Breaker
3	12V from Circuit Breaker to Solenoid	12V from Circuit Breaker to Trombetta
4	Retract Ground	Discard
5	12V to Switch	12V to Switch
6	Switch to Solenoid - Extend	Switch to Trombetta - Extend
7	Switch to Solenoid - Retract	Switch to Trombetta - Retract
8	Motor Forward	Motor Forward
9	Motor Reverse	Motor Reverse
10	Coil Ground	Discard

HYDRAULICS

OLD CONFIGURATION - HALDEX PUMP

Fig. 1



NOTE: Wall switch and pump switch get wired the same way

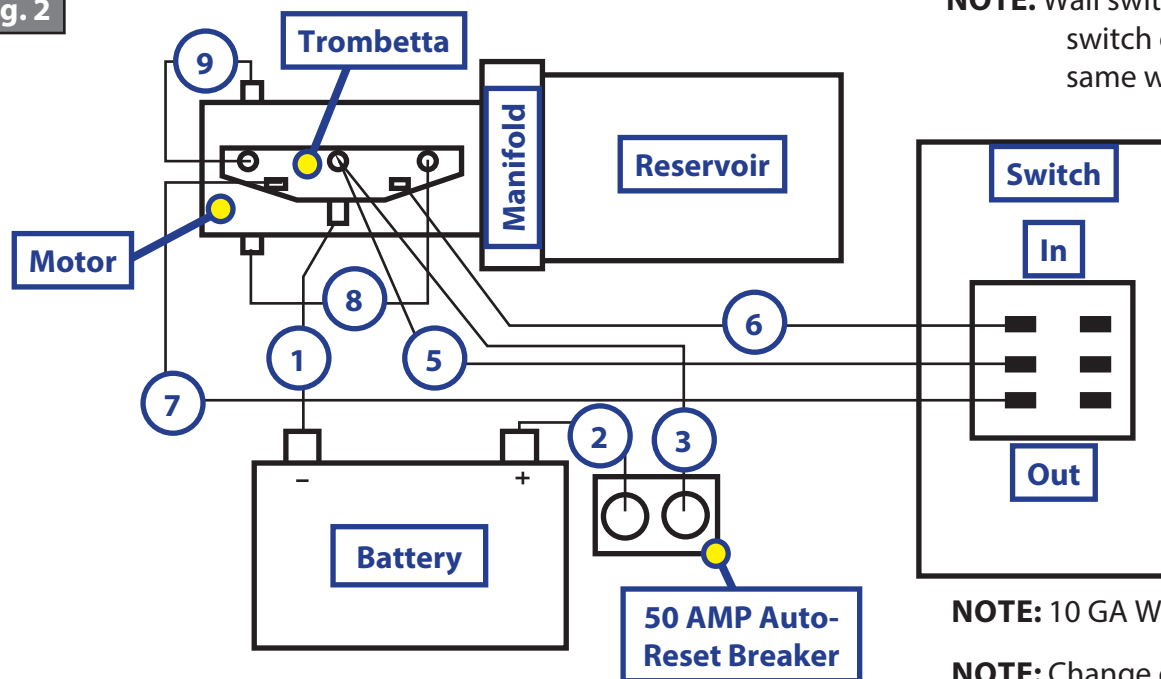
- 5. Red "Hot" - 16 GA
- 6. Yellow - 16 GA
- 7. Green - 16 GA

NOTE: 10 GA Wire Minimum

NOTE: Change of polarity reverses motor

NEW CONFIGURATION - PARKER PUMP

Fig. 2



NOTE: Wall switch and pump switch get wired the same way

- 5. Red "Hot" - 16 GA
- 6. Yellow - 16 GA
- 7. Green - 16 GA

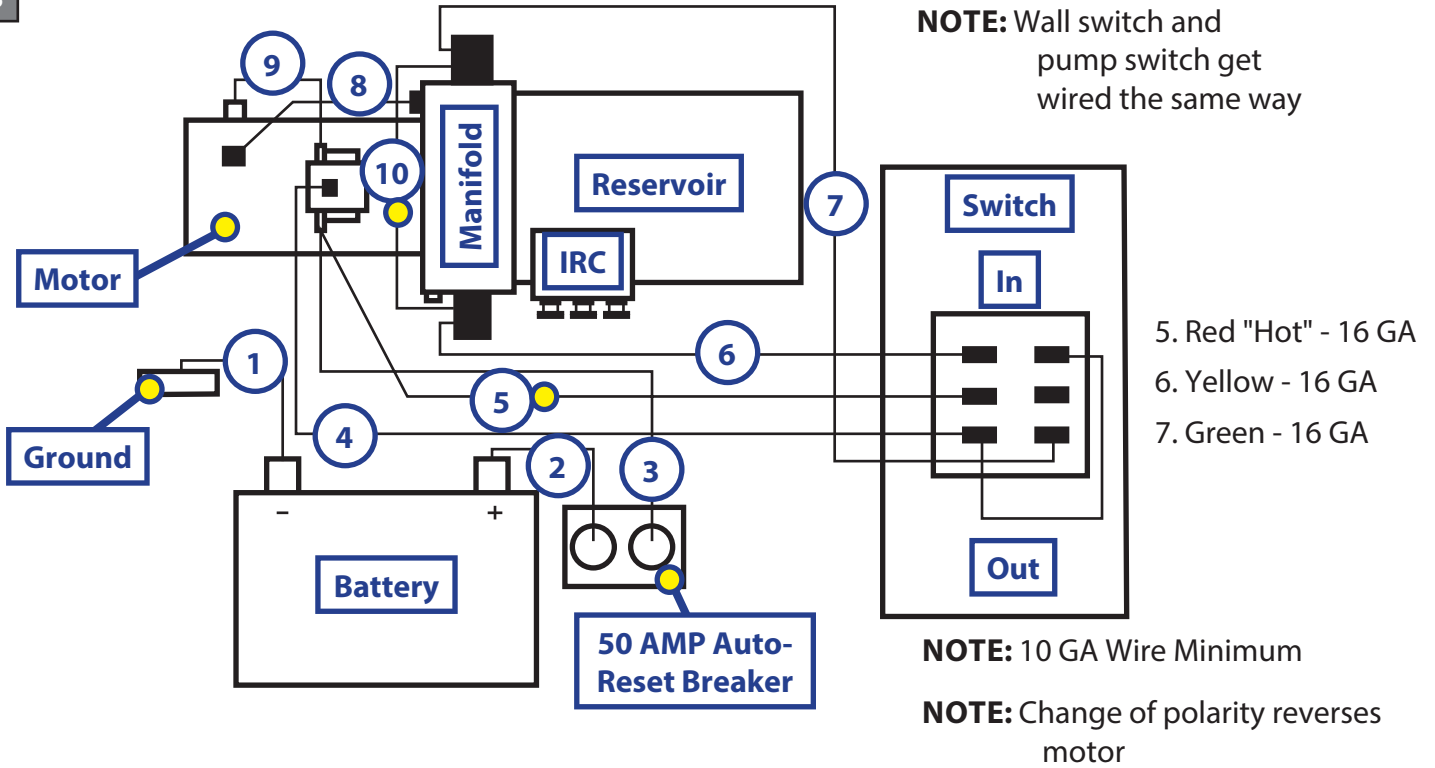
NOTE: 10 GA Wire Minimum

NOTE: Change of polarity reverses motor

HYDRAULICS

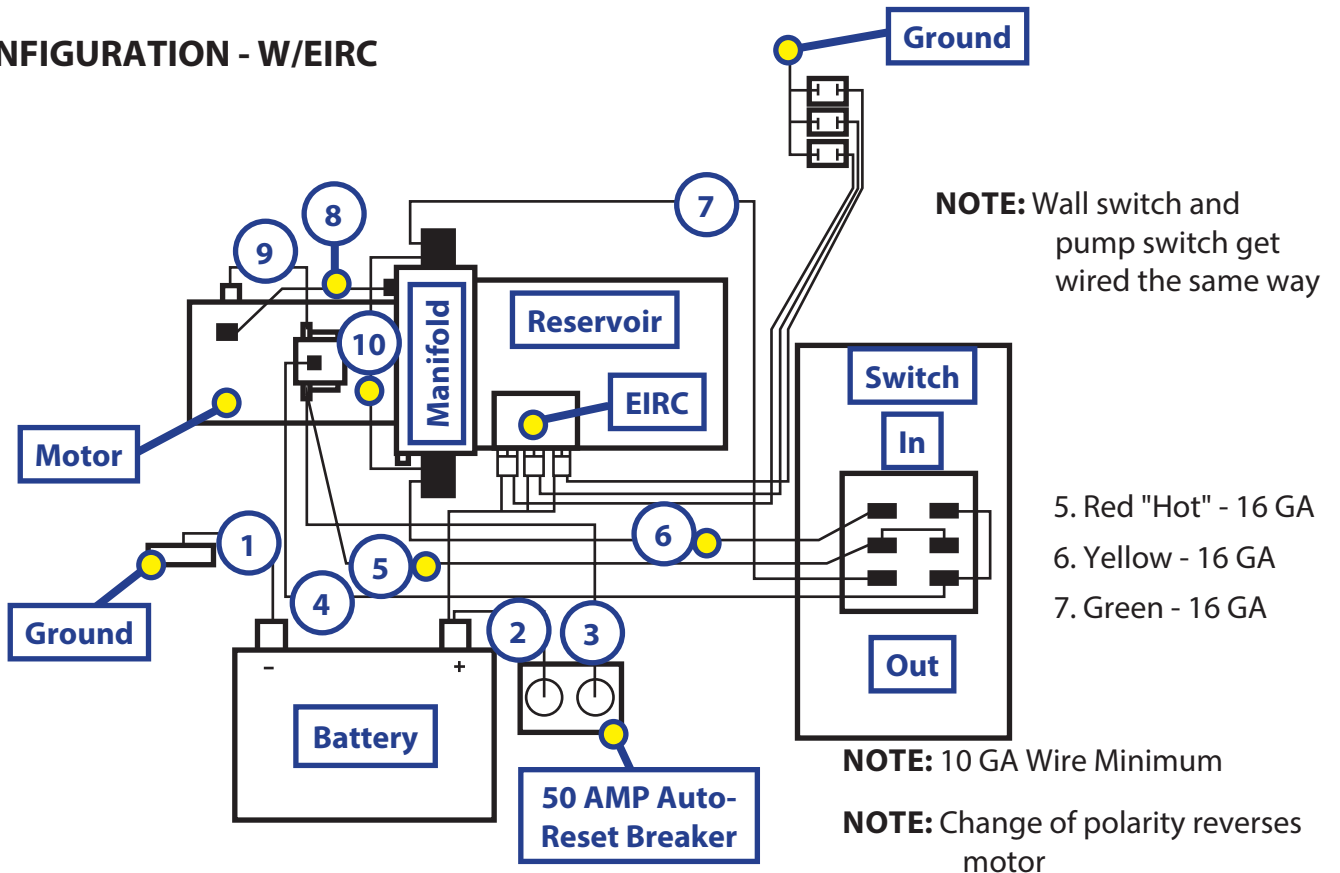
OLD CONFIGURATION - W/IRC

Fig. 3



OLD CONFIGURATION - W/EIRC

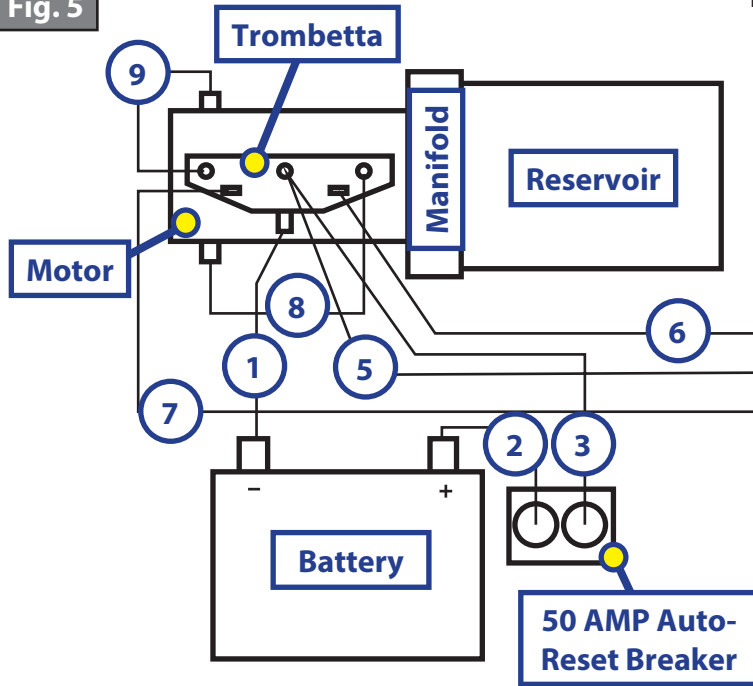
Fig. 4



REPLACING UNIDIRECTIONAL PUMP WITH BI-ROTATIONAL PUMP

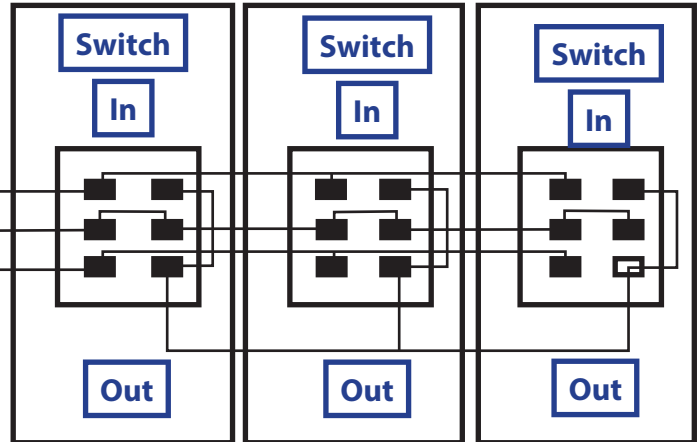
HYDRAULICS

Fig. 5



NOTE: Wall switch and pump switch get wired the same way

- 5. Red "Hot" - 16 GA
- 6. Yellow - 16 GA
- 7. Green - 16 GA

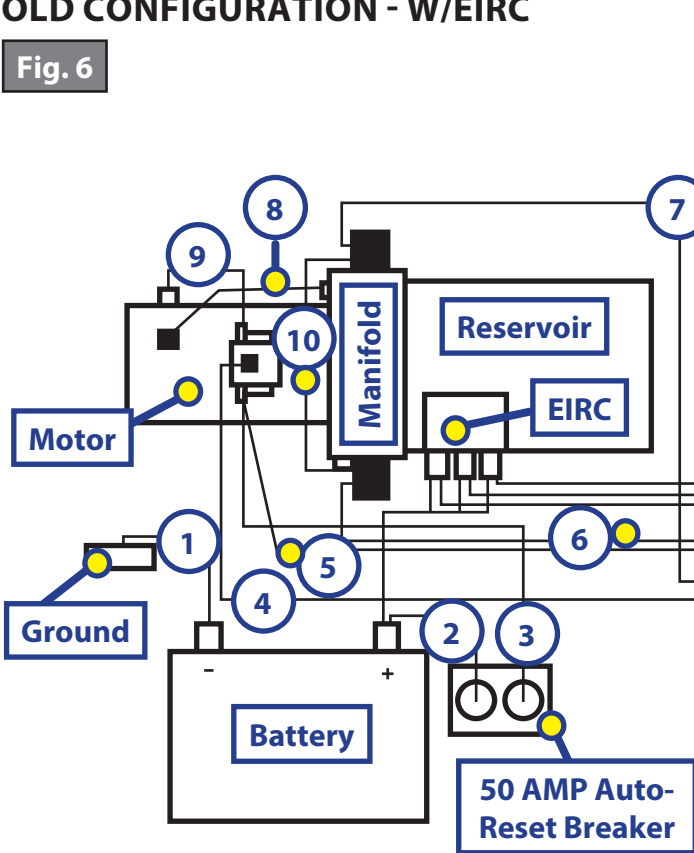


NOTE: 10 GA Wire Minimum

NOTE: Change of polarity reverses motor

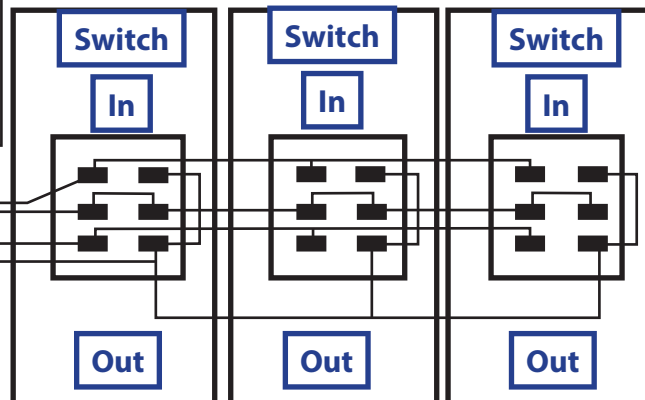
OLD CONFIGURATION - W/EIRC

Fig. 6



NOTE: Wall switch and pump switch get wired the same way

- 5. Red "Hot" - 16 GA
- 6. Yellow - 16 GA
- 7. Green - 16 GA



NOTE: 10 GA Wire Minimum

NOTE: Change of polarity reverses motor